

Stamp:

Project Name

Project Address

Project for:

THE CHURCH OF JESUS CHRIST OF LATTER-DAY SAINTS

Mark	Date	Description

Project Number:

Plan Series:

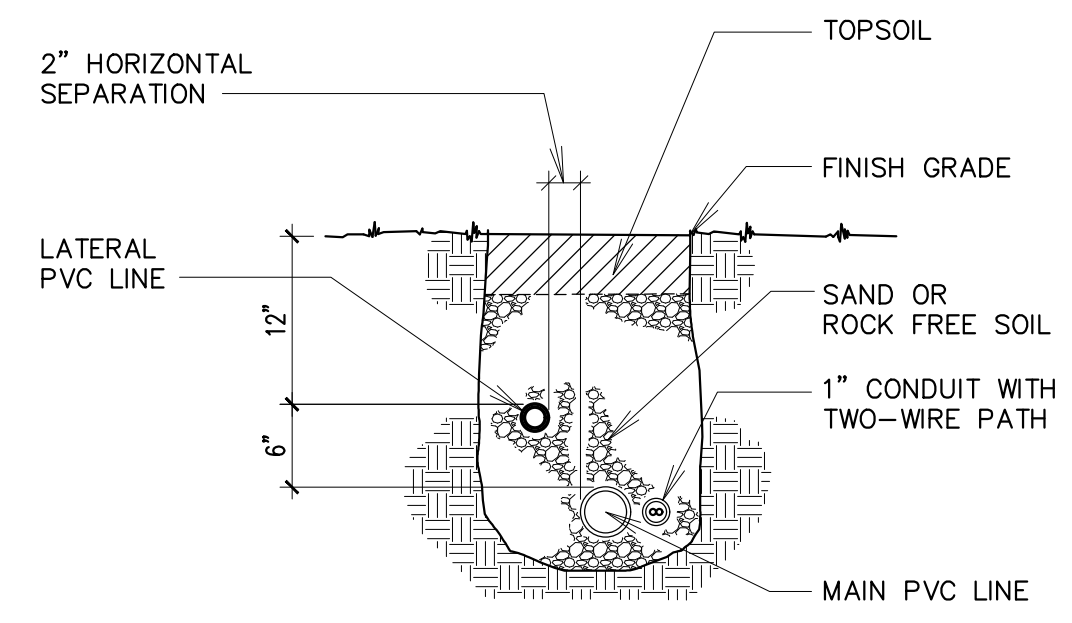
Property Number:

Sheet Title:
GENERAL IRRIGATION DETAILS

Sheet:

L501

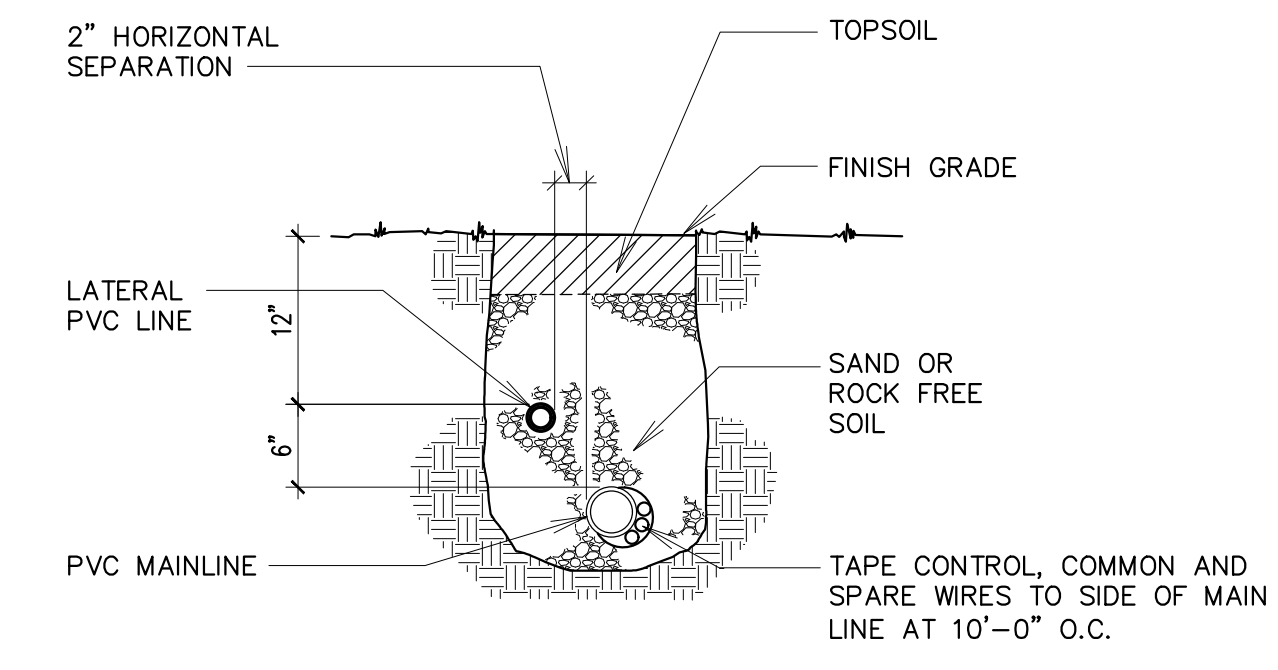
- NOTES:
1. PLACE MAIN AND LATERAL LINES OUTSIDE OF THE MATURE TREE DRIP LINE EDGE.
 2. IF NOT POSSIBLE BECAUSE OF THE PROXIMITY OF PAVING, HOLD MAIN AND LATERAL LINES 12" MAXIMUM FROM THE EDGE OF PAVING.



TWO-WIRE SYSTEM

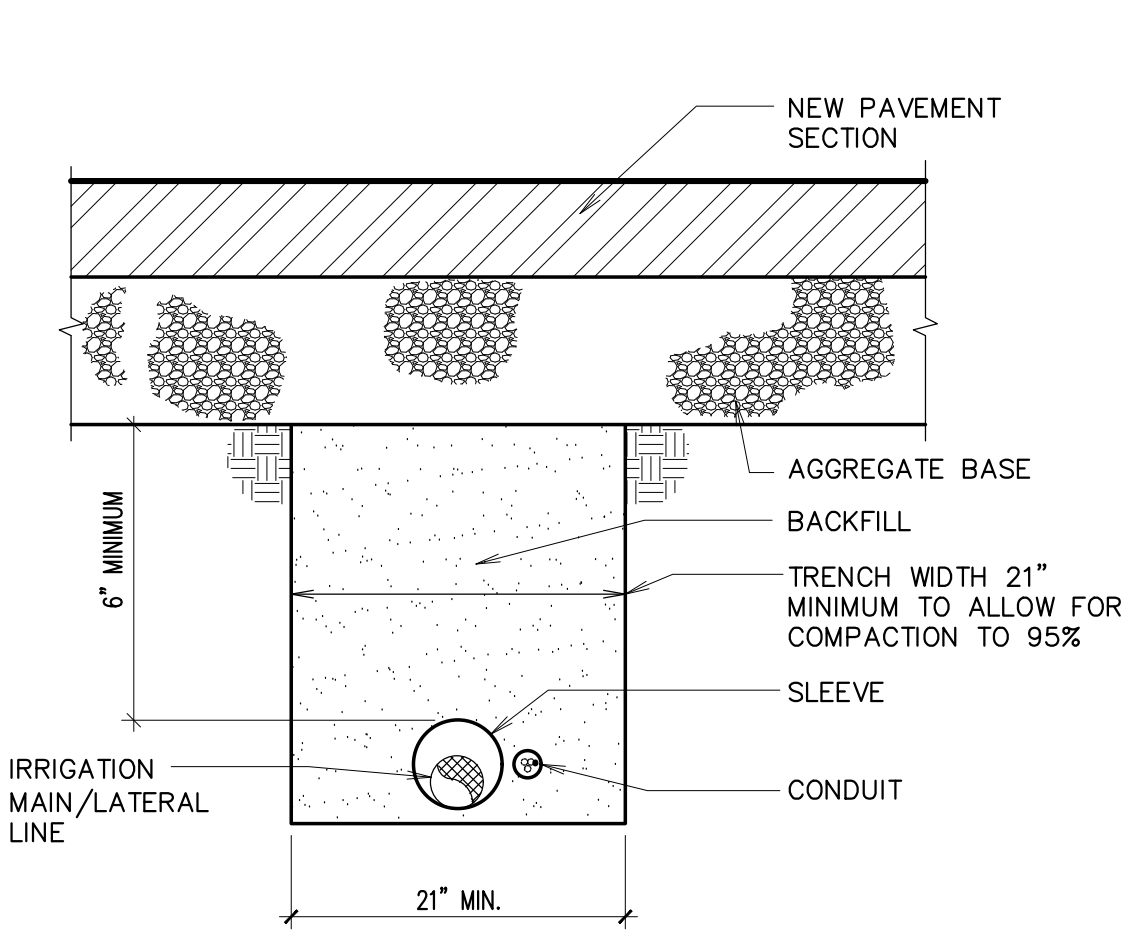
(A) TRENCH SECTION
NO SCALE

- NOTES:
1. PLACE MAIN AND LATERAL LINES OUTSIDE OF THE MATURE TREE DRIP LINE EDGE.
 2. IF NOT POSSIBLE BECAUSE OF THE PROXIMITY OF PAVING, HOLD MAIN AND LATERAL LINES 12" MAXIMUM FROM THE EDGE OF PAVING.

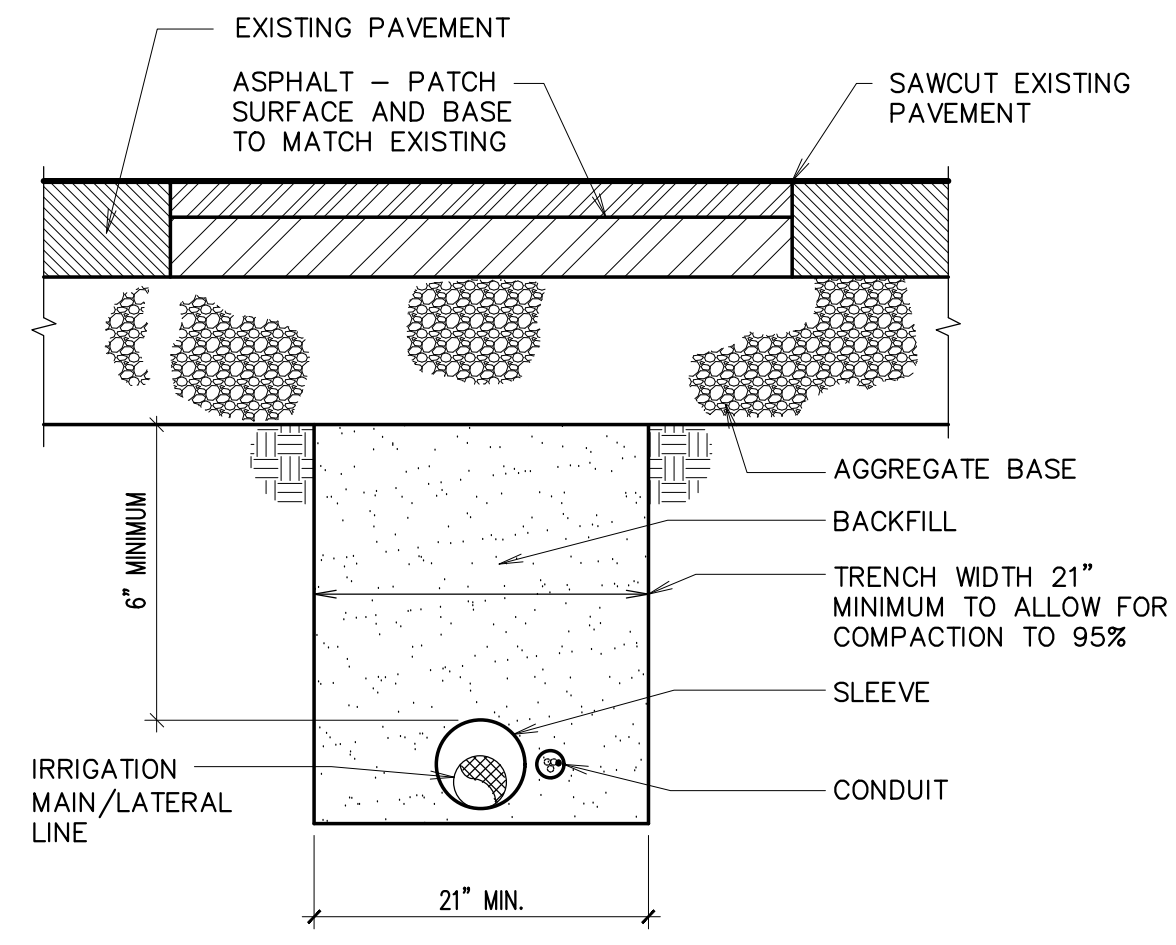


CONVENTIONAL WIRE SYSTEM

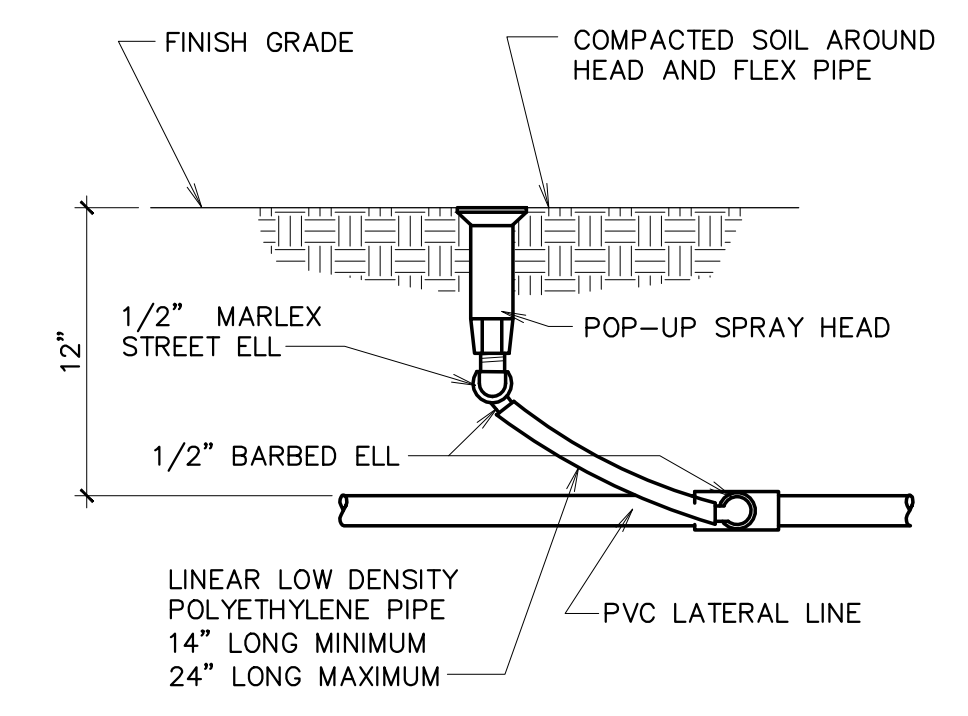
(A) TRENCH SECTION
NO SCALE



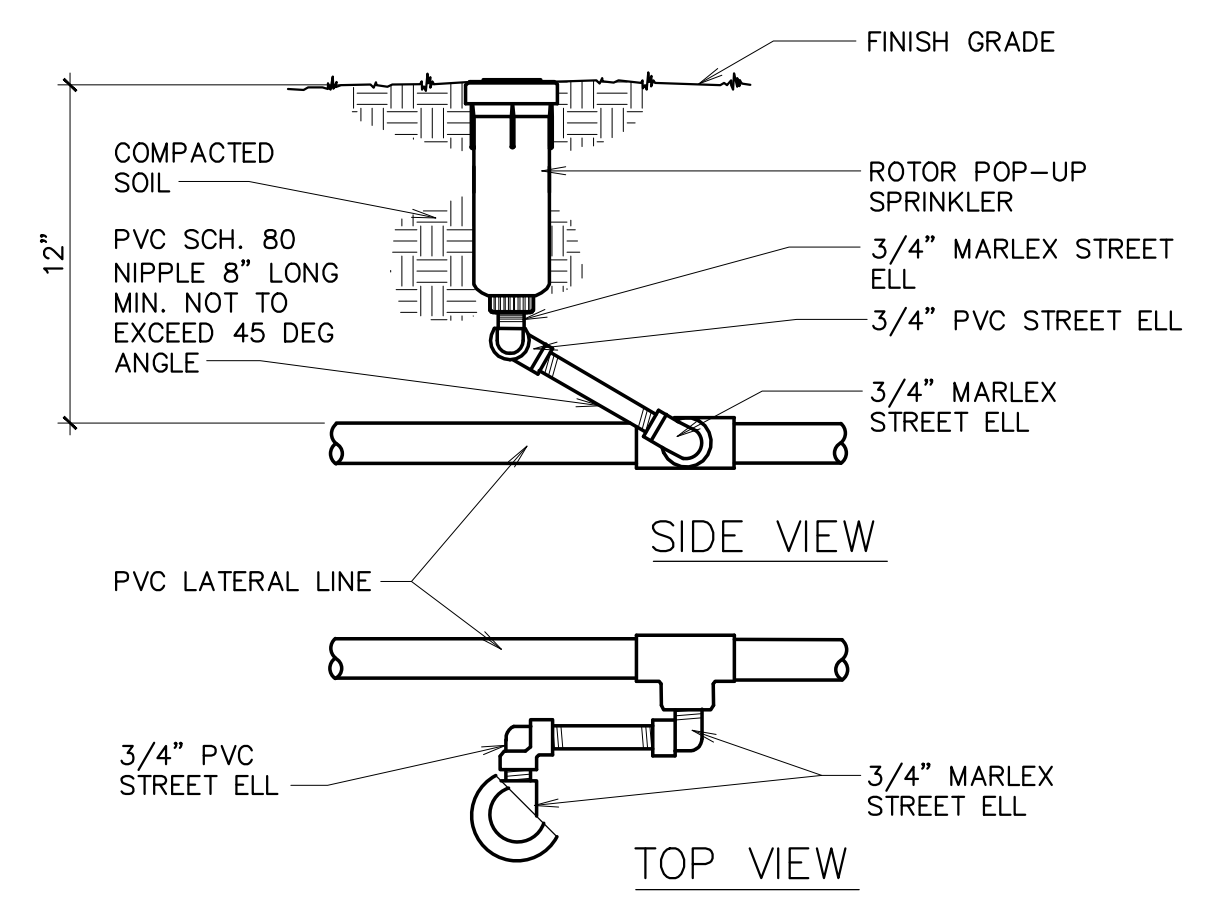
(B) MISC. PIPE TRENCH DETAIL NEW PAVEMENT AREAS
NO SCALE



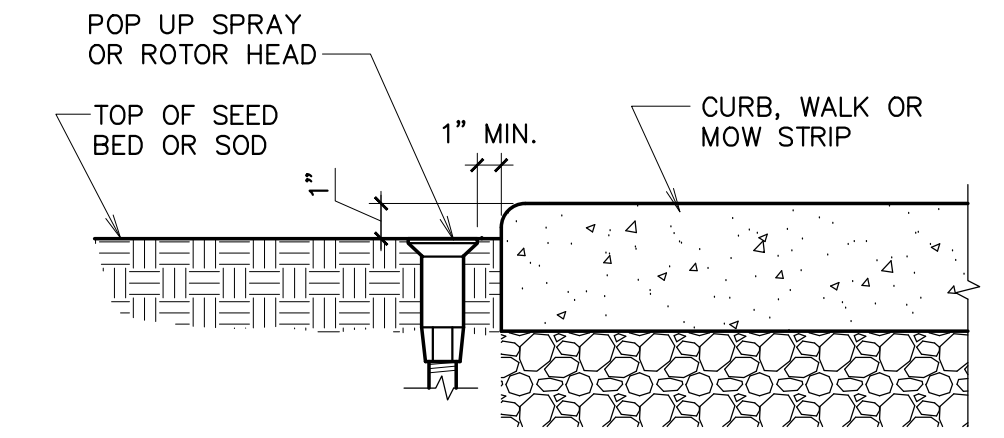
(C) MISC. PIPE TRENCH DETAIL EXIST. PAVEMENT AREAS
NO SCALE



(D) SPRAY AND ROTARY HEAD ASSEMBLY
NO SCALE



(E) ROTOR POP-UP HEAD
NO SCALE



(F) SPRAY HEAD OR ROTOR NEXT TO CURB OR WALK
NO SCALE

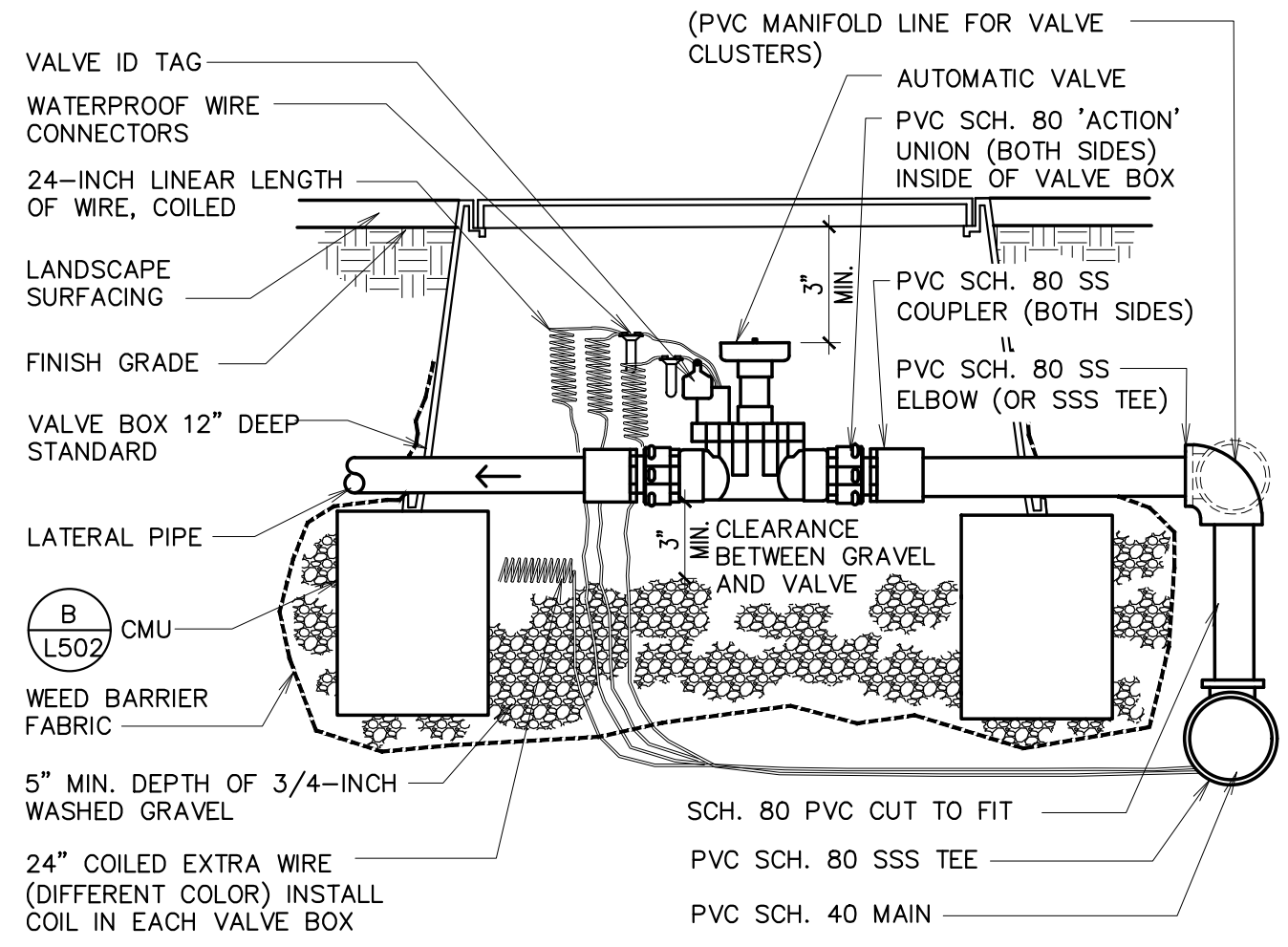
1. SELECT DETAILS APPROPRIATE FOR ECO-REGION AND SITE. SEE AEC DESIGN GUIDELINES FOR ECO-REGION DESCRIPTIONS AND DEVELOPMENT.
2. DELETE DETAILS NOT USED.

EDIT AND REMOVE CLOUDED ITEMS TYPICAL

EDIT DATES

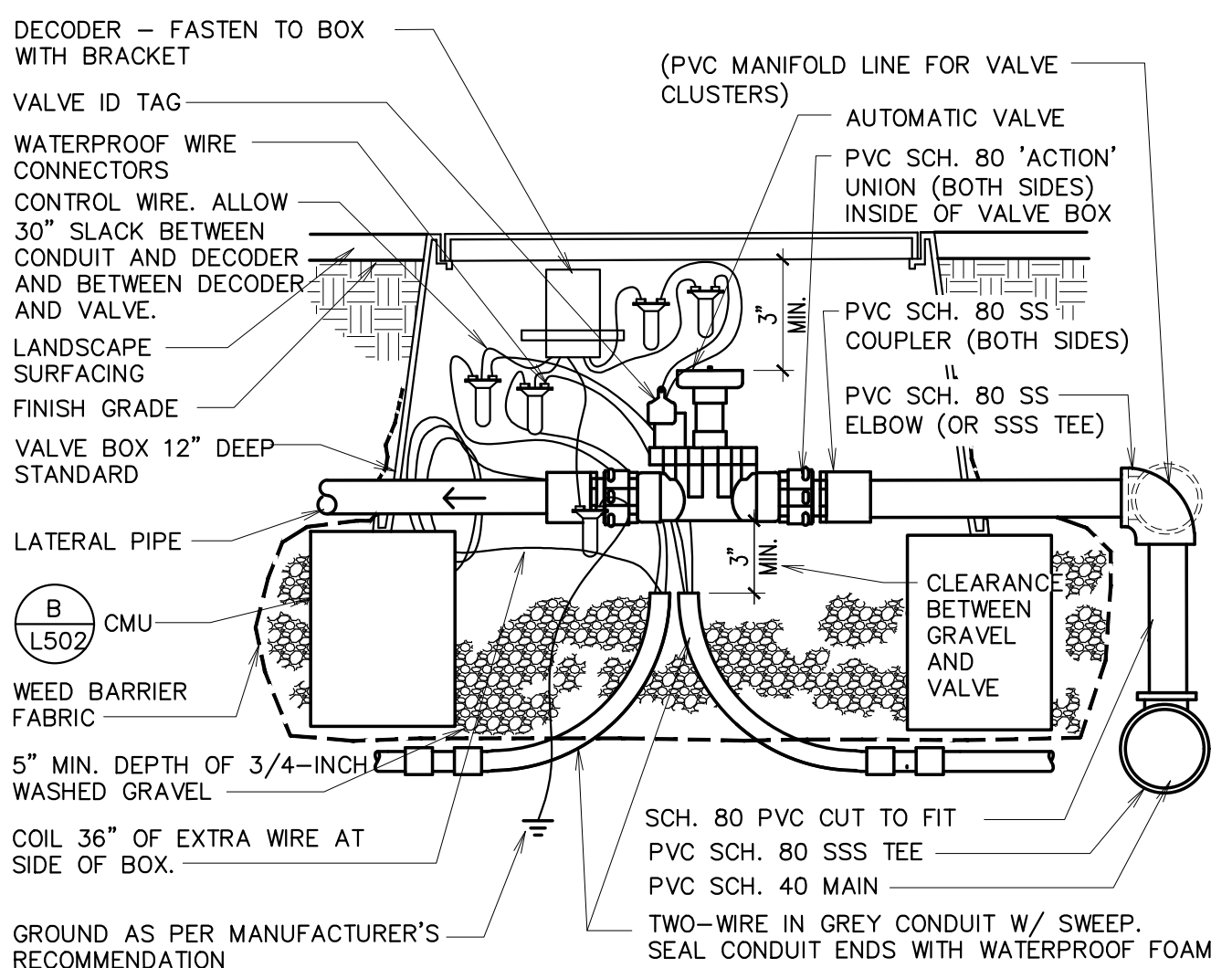
AEC Standard Landscape Details	(Date)
Details Downloaded	(Date)
Details Edited	(Date)

NOTES:
1. LIMIT 1 VALVE PER BOX.
2. 10" MIN. LATERAL LINE DEPTH AT VALVE BOX, 12" MIN. LATERAL LINE DEPTH EVERYWHERE ELSE.
3. PROVIDE MIN. 2" CLEARANCE BETWEEN WIRE AND CMU BLOCK.



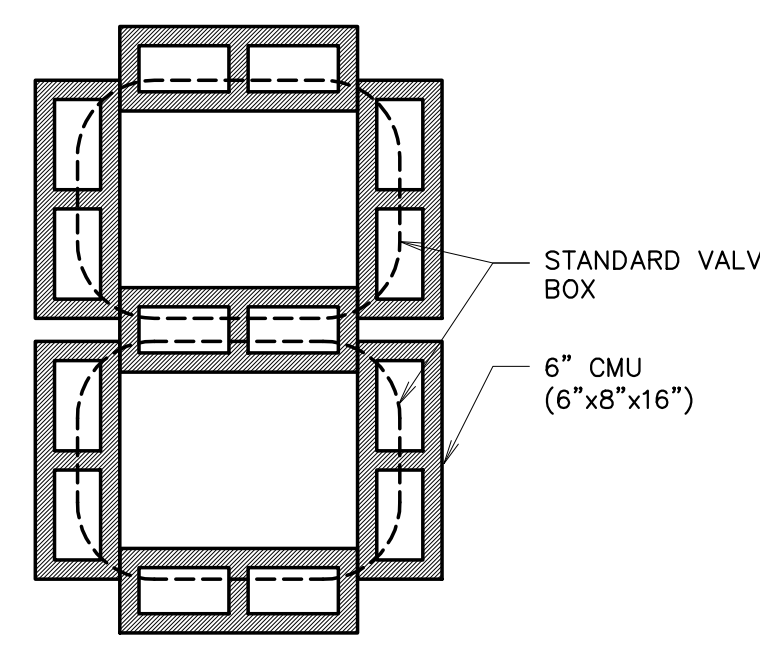
A AUTOMATIC VALVE WITH CONVENTIONAL WIRE SYSTEM
NO SCALE

NOTES:
1. LIMIT 1 VALVE PER BOX.
2. 10" MIN. LATERAL LINE DEPTH AT VALVE BOX, 12" MIN. LATERAL LINE DEPTH EVERYWHERE ELSE.
3. PROVIDE MIN. 2" CLEARANCE BETWEEN CONDUIT AND CMU BLOCK.

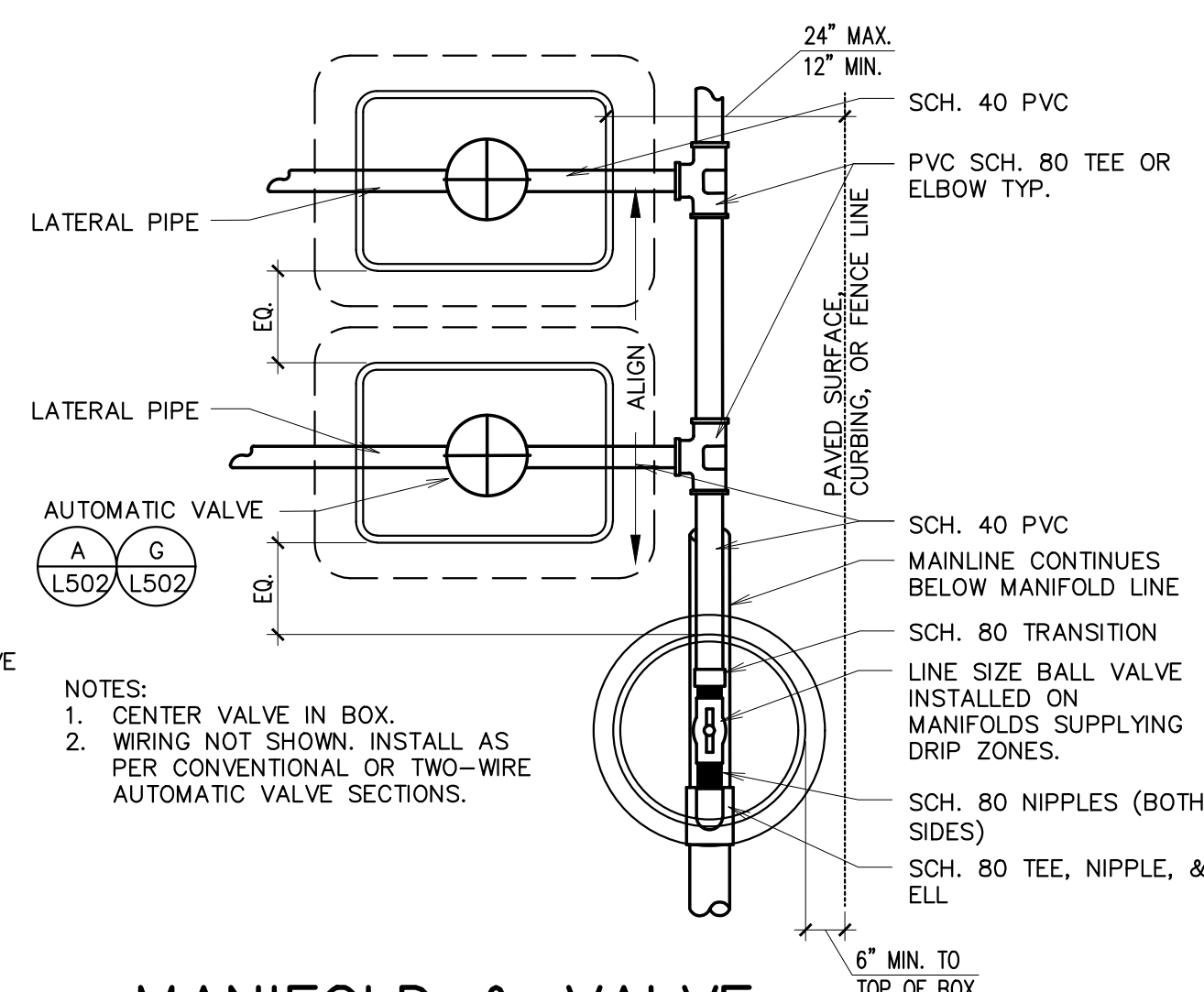


A AUTOMATIC VALVE WITH TWO-WIRE SYSTEM
NO SCALE

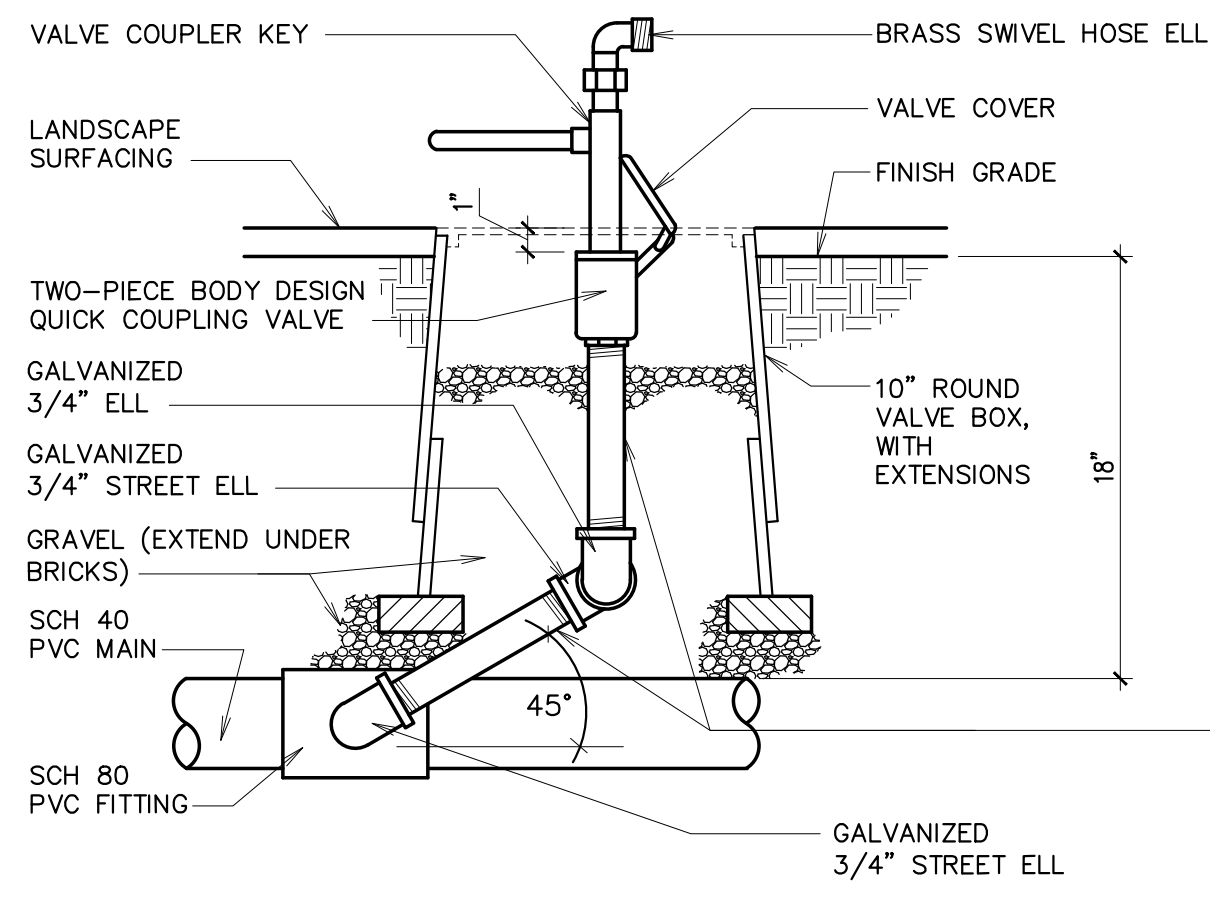
NOTES:
1. VALVE BOX TO REST ON (4) CMU BLOCKS (ONE FOR EACH SIDE).
2. CLUSTERED VALVE BOXES MAY SHARE A CMU BLOCK.



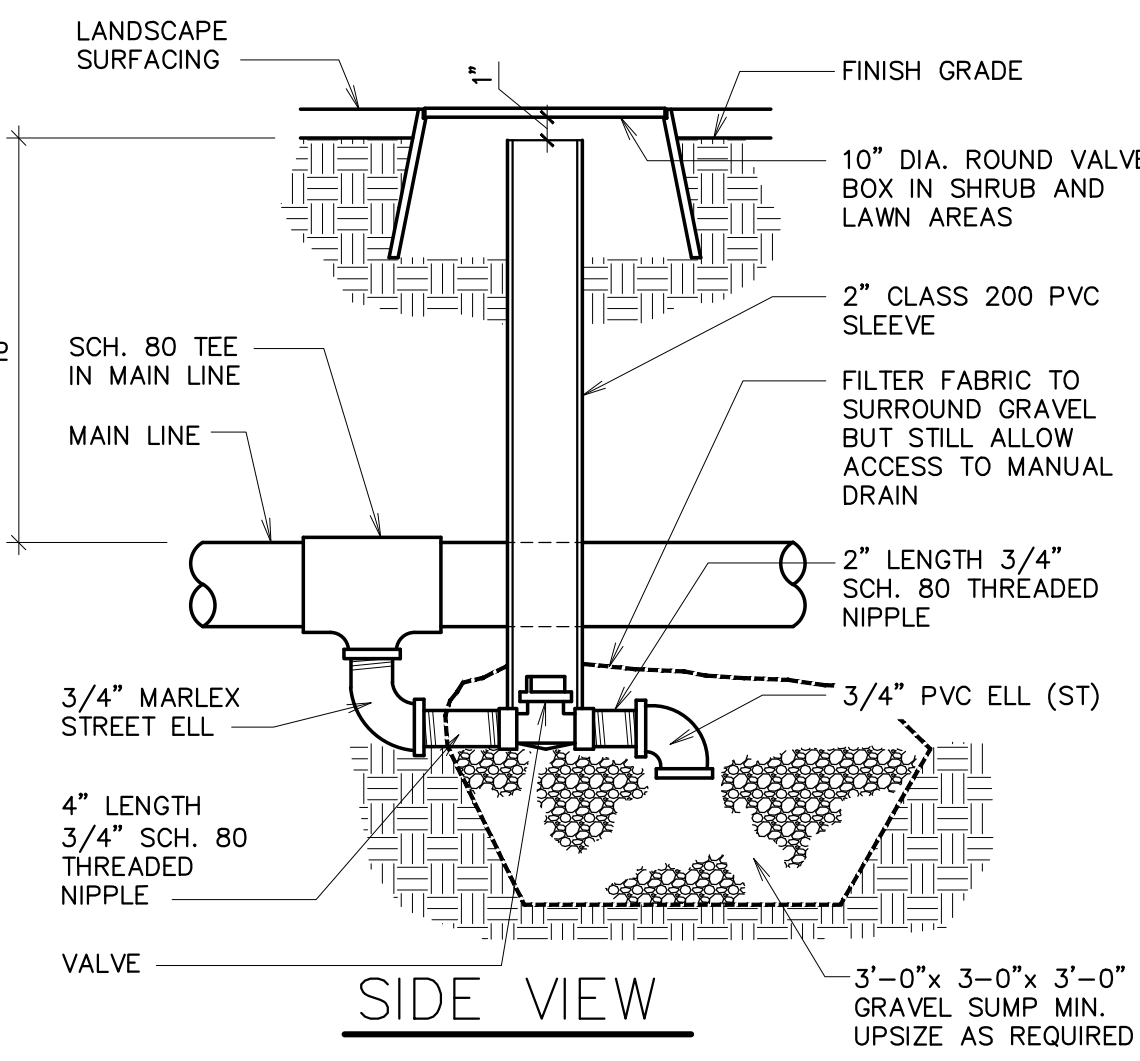
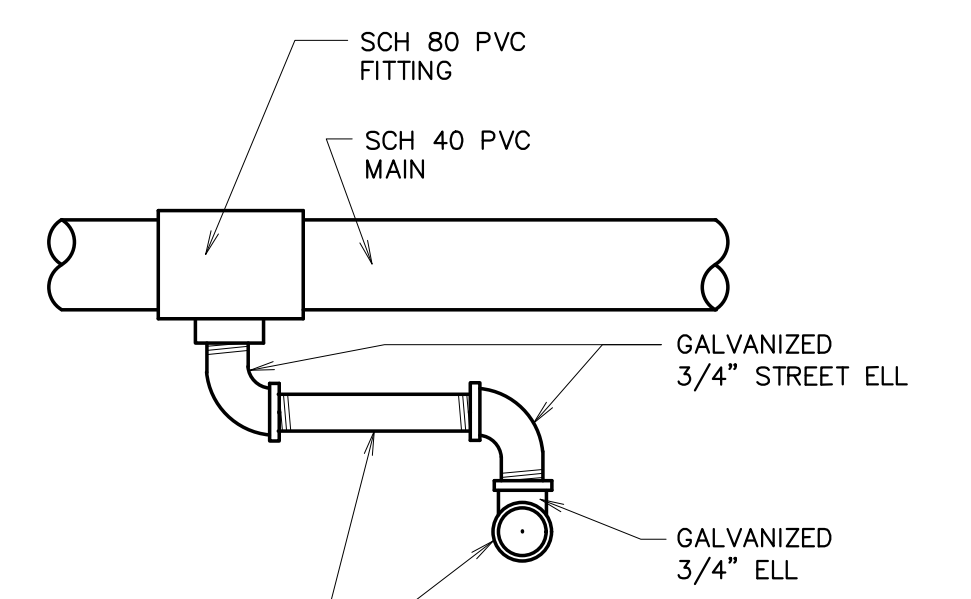
B CMU PLACEMENT
NO SCALE



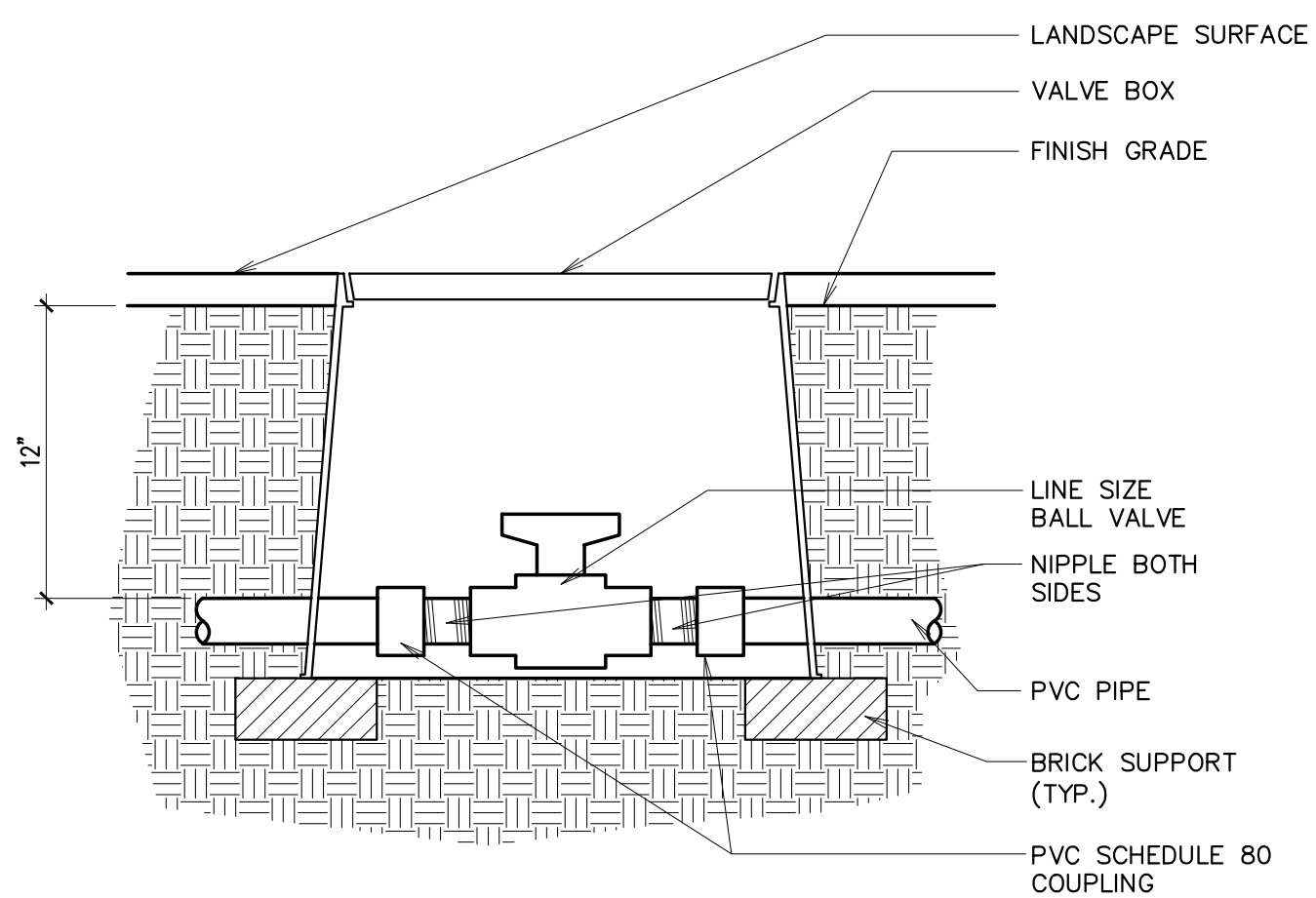
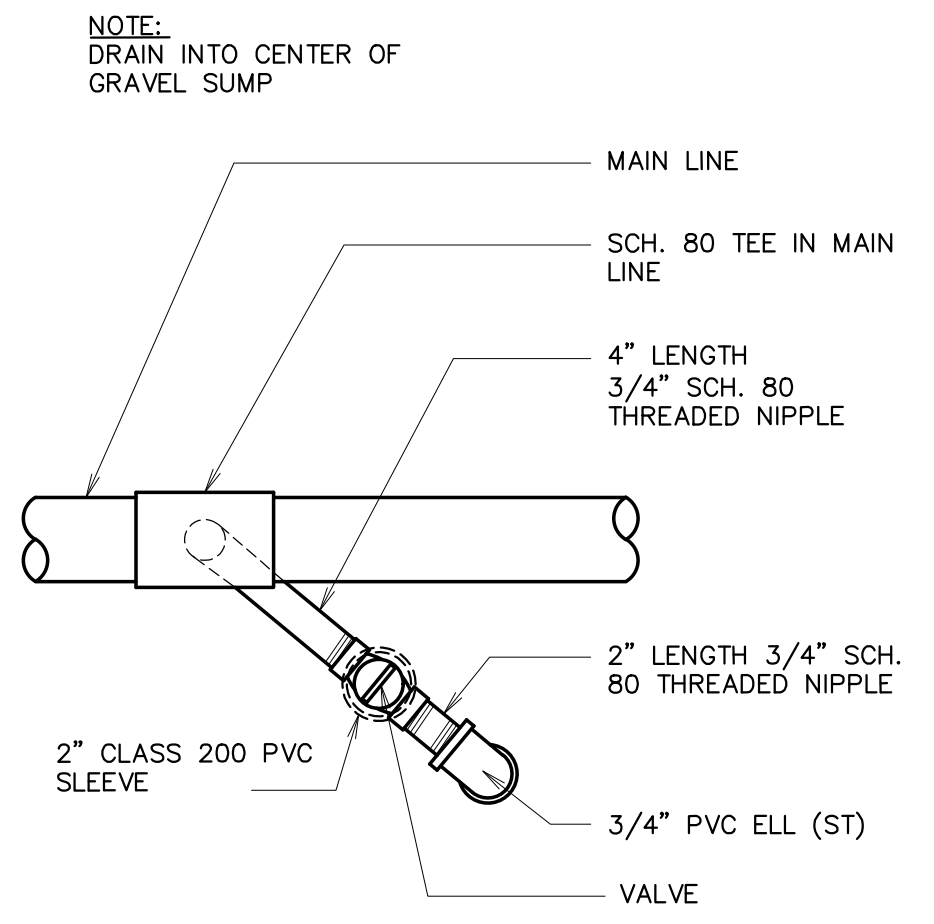
C MANIFOLD & VALVE ASSEMBLY
NO SCALE
USE AT VALVE CLUSTERS



D QUICK COUPLING VALVE
NO SCALE



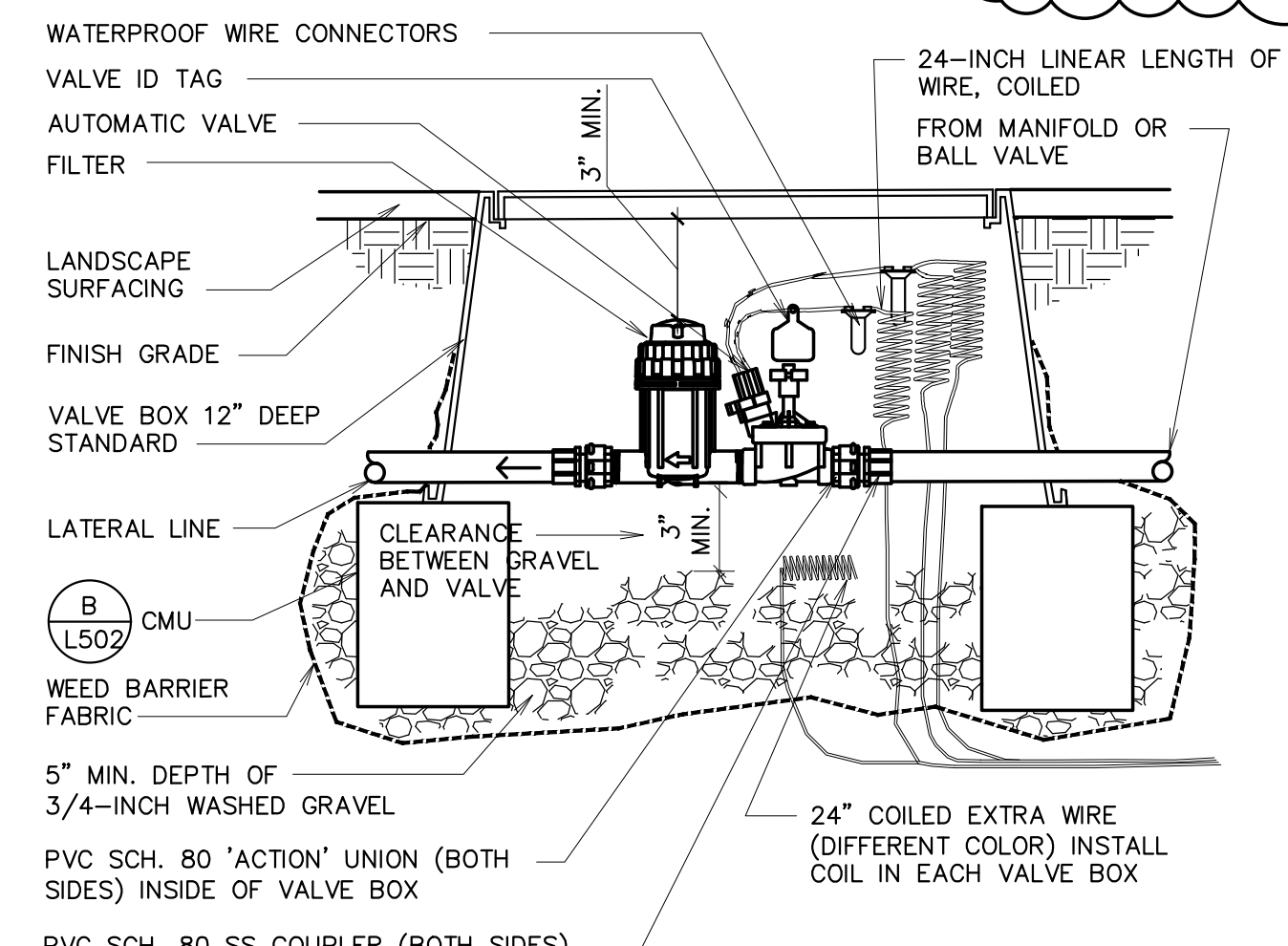
E MAIN LINE MANUAL DRAIN VALVE
NO SCALE
USE ON MAINLINE AS DESCRIBED IN SPECIFICATIONS



F ISOLATION VALVE
NO SCALE

NOTES:
1. LIMIT 1 VALVE PER BOX.
2. 10" MIN. LATERAL LINE DEPTH AT VALVE BOX, 12" MIN. LATERAL LINE DEPTH EVERYWHERE ELSE.
3. PROVIDE MIN. 2" CLEARANCE BETWEEN WIRE AND CMU BLOCK.

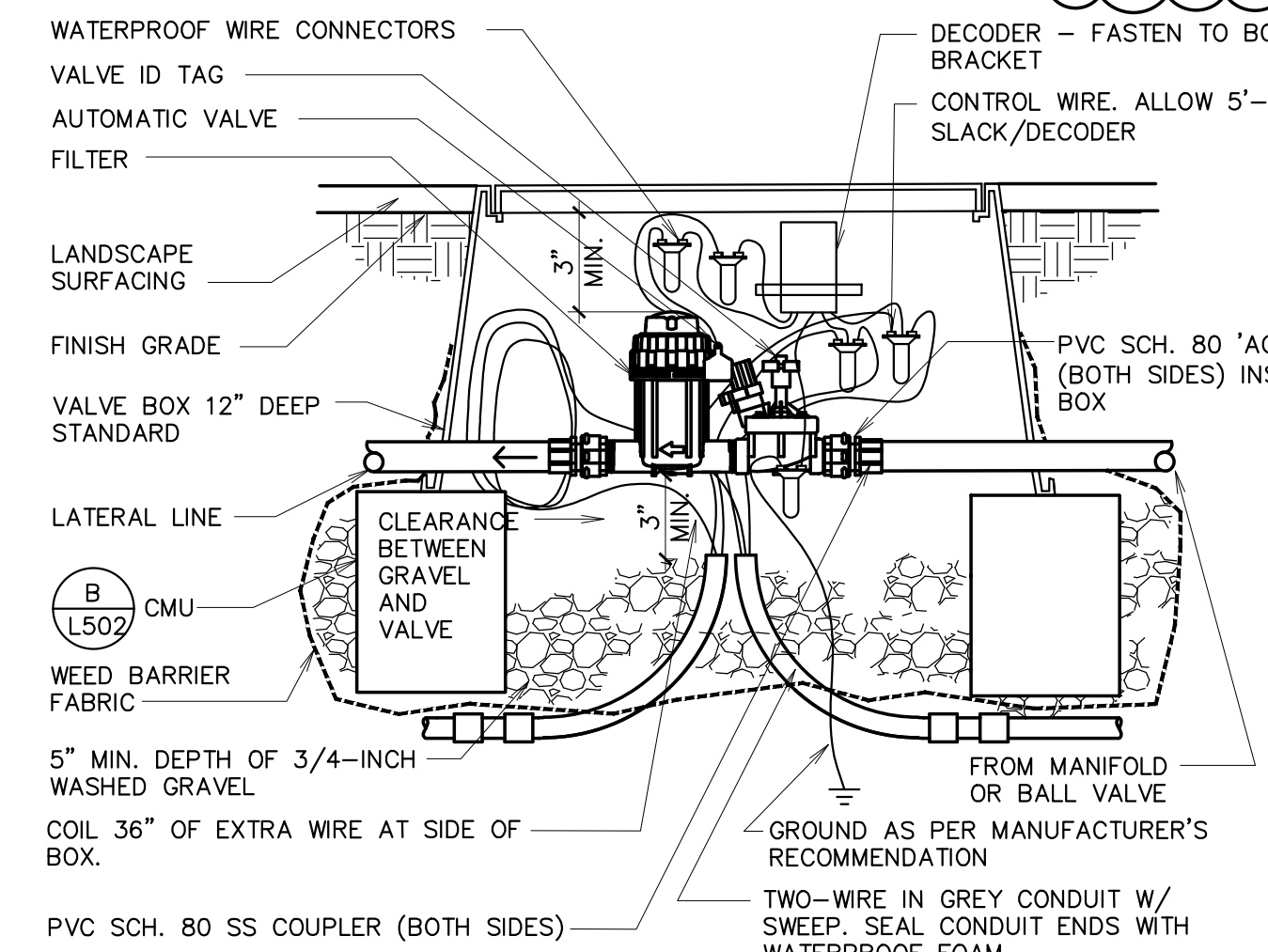
DESIGNER NOTE:
SELECT VALVE ASSEMBLY WITH PRESSURE REGULATION REQUIRED FOR PROPER DRIP EMISSION DEVICE OPERATION



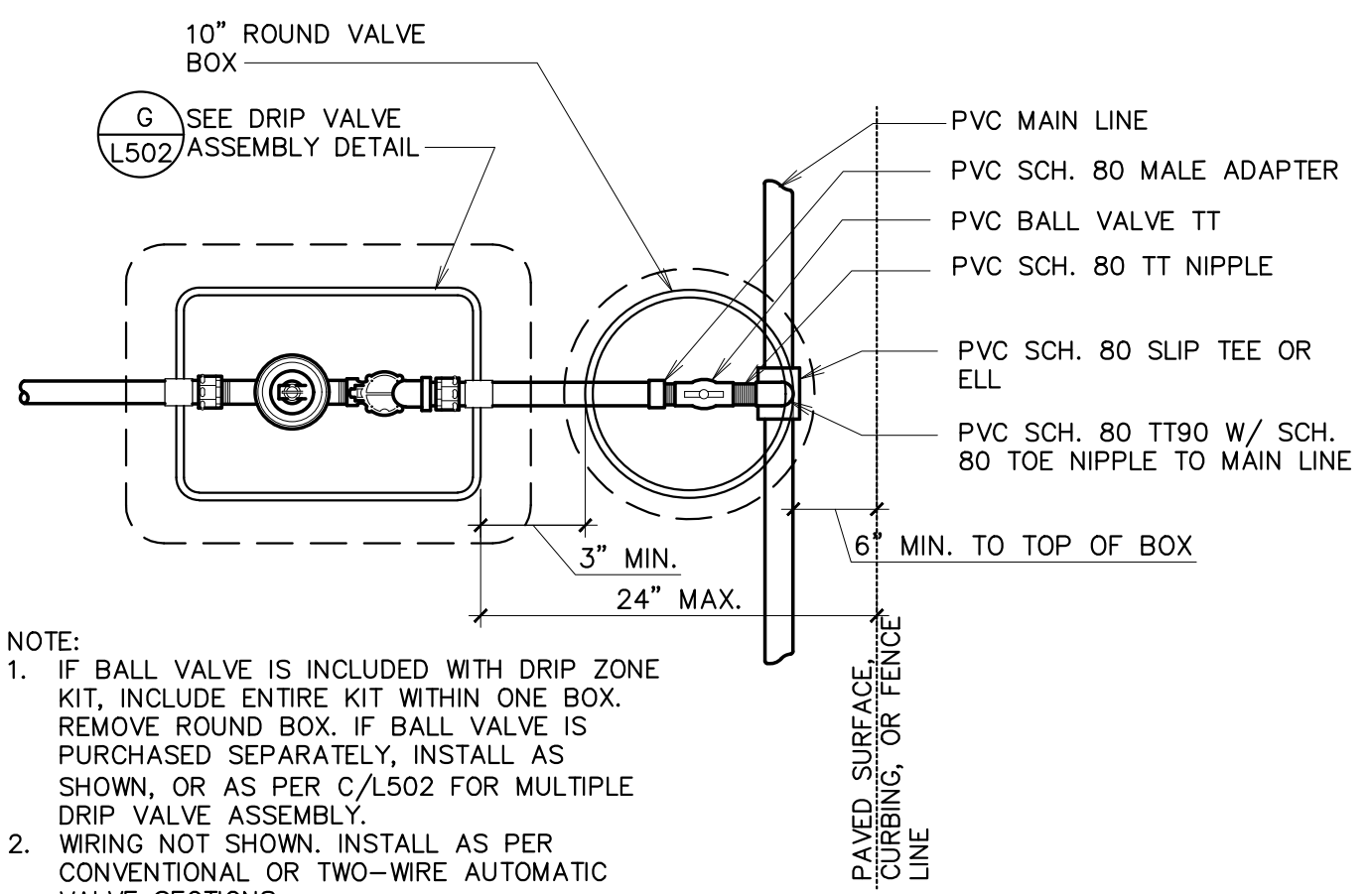
G DRIP VALVE ASSEMBLY-SECTION CONVENTIONAL WIRE SYSTEM
NO SCALE

NOTES:
1. LIMIT 1 VALVE PER BOX.
2. 10" MIN. LATERAL LINE DEPTH AT VALVE BOX, 12" MIN. LATERAL LINE DEPTH EVERYWHERE ELSE.
3. PROVIDE MIN. 2" CLEARANCE BETWEEN CONDUIT AND CMU BLOCK.

DESIGNER NOTE:
SELECT VALVE ASSEMBLY WITH PRESSURE REGULATION REQUIRED FOR PROPER DRIP EMISSION DEVICE OPERATION



G DRIP VALVE ASSEMBLY-SECTION TWO WIRE SYSTEM
NO SCALE



NOTE:
1. IF BALL VALVE IS INCLUDED WITH DRIP ZONE KIT, INCLUDE ENTIRE KIT WITHIN ONE BOX. REMOVE ROUND BOX. IF BALL VALVE IS PURCHASED SEPARATELY, INSTALL AS SHOWN, OR AS PER C/L502 FOR MULTIPLE DRIP VALVE ASSEMBLY.
2. WIRING NOT SHOWN. INSTALL AS PER CONVENTIONAL OR TWO-WIRE AUTOMATIC VALVE SECTIONS.

H DRIP VALVE ASSEMBLY
NO SCALE

- 1. SELECT DETAILS APPROPRIATE FOR ECO-REGION AND SITE. SEE AEC DESIGN GUIDELINES FOR ECO-REGION DESCRIPTIONS AND DEVELOPMENT.
- 2. SELECT APPROPRIATE AUTOMATIC VALVE OPTIONS.
- 3. DELETE DETAILS NOT USED.

EDIT AND REMOVE CLOUDED ITEMS TYPICAL
EDIT DATES

AEC Standard Landscape Details	
Details Downloaded	(Date)
Details Edited	(Date)

Project Name

Project Address

Project for:

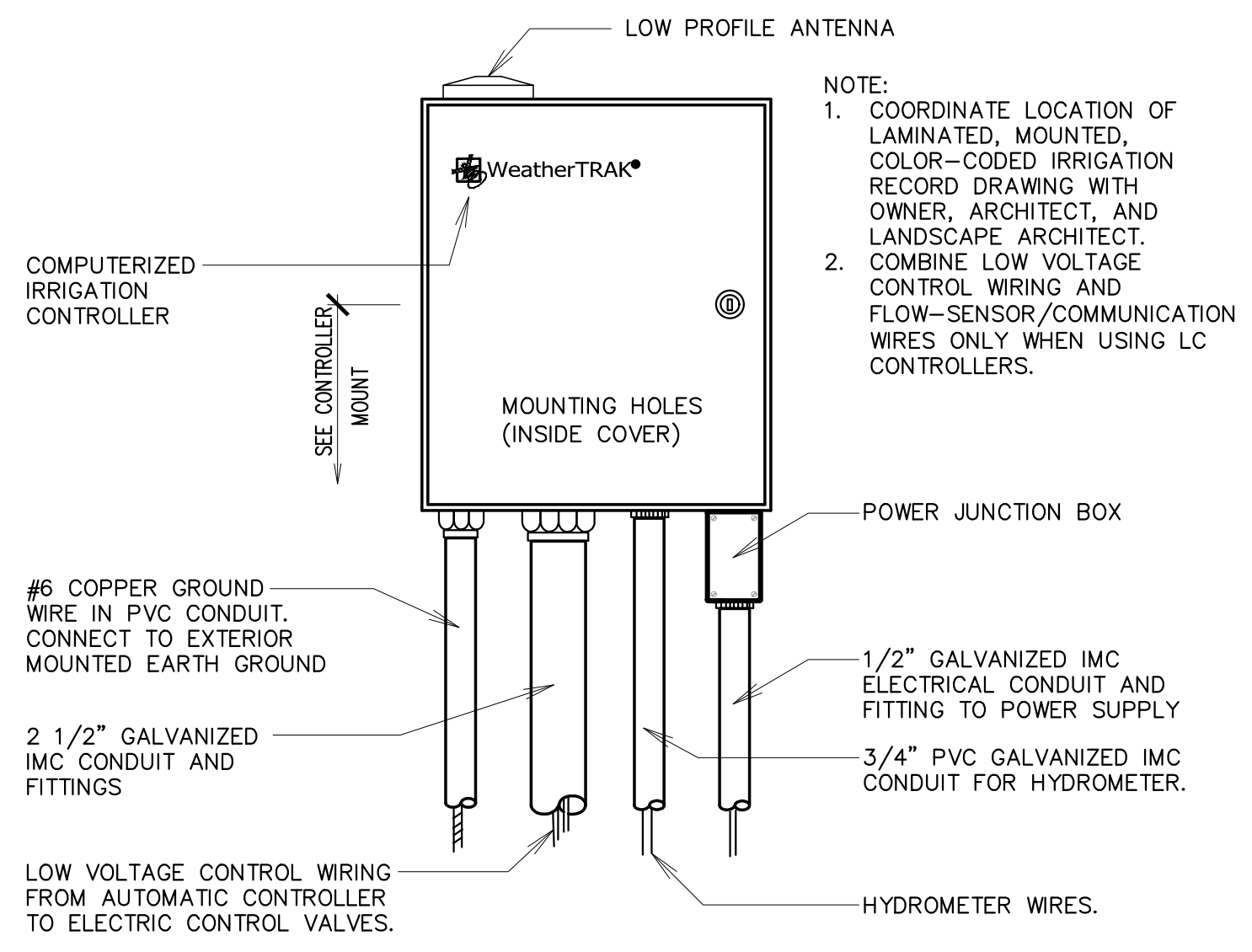
THE CHURCH OF JESUS CHRIST OF LATTER-DAY SAINTS

Project Number:	***
Plan Series:	*****
Property Number:	***

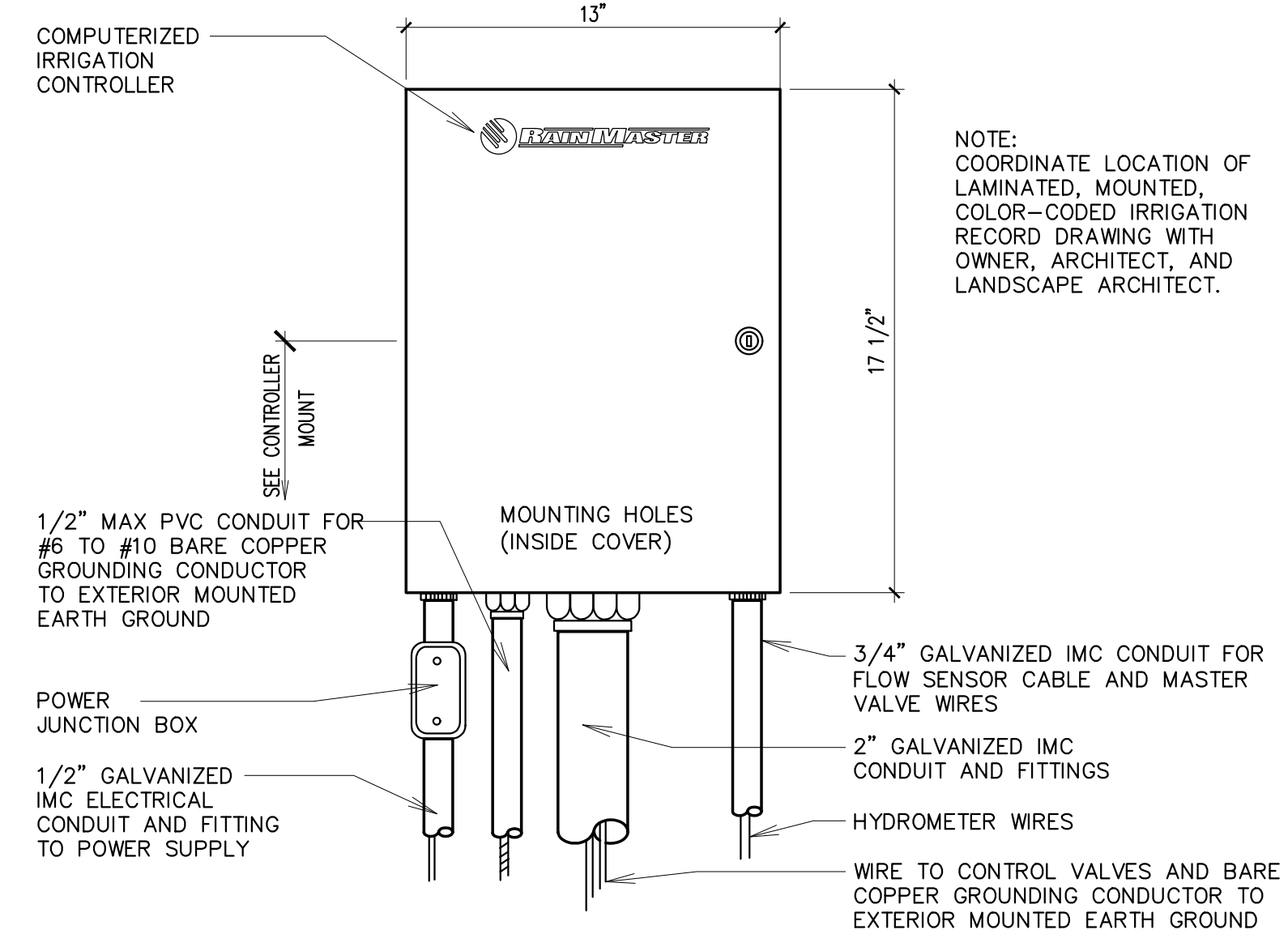
Sheet Title:
IRRIGATION VALVE DETAILS

Sheet:

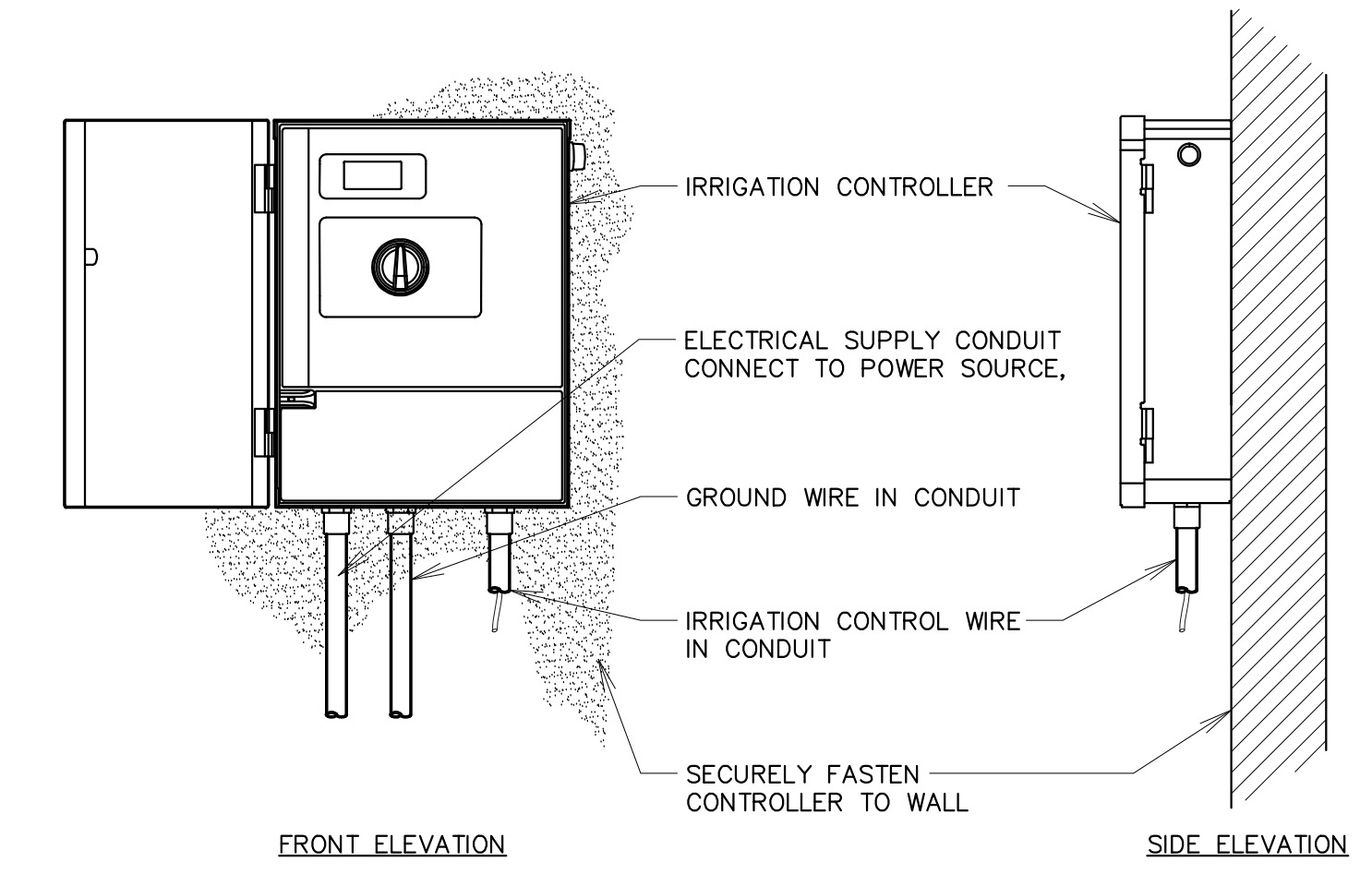
L502



(A) SMART CONTROLLER
NO SCALE
Option A



(A) SMART CONTROLLER
NO SCALE
Option B

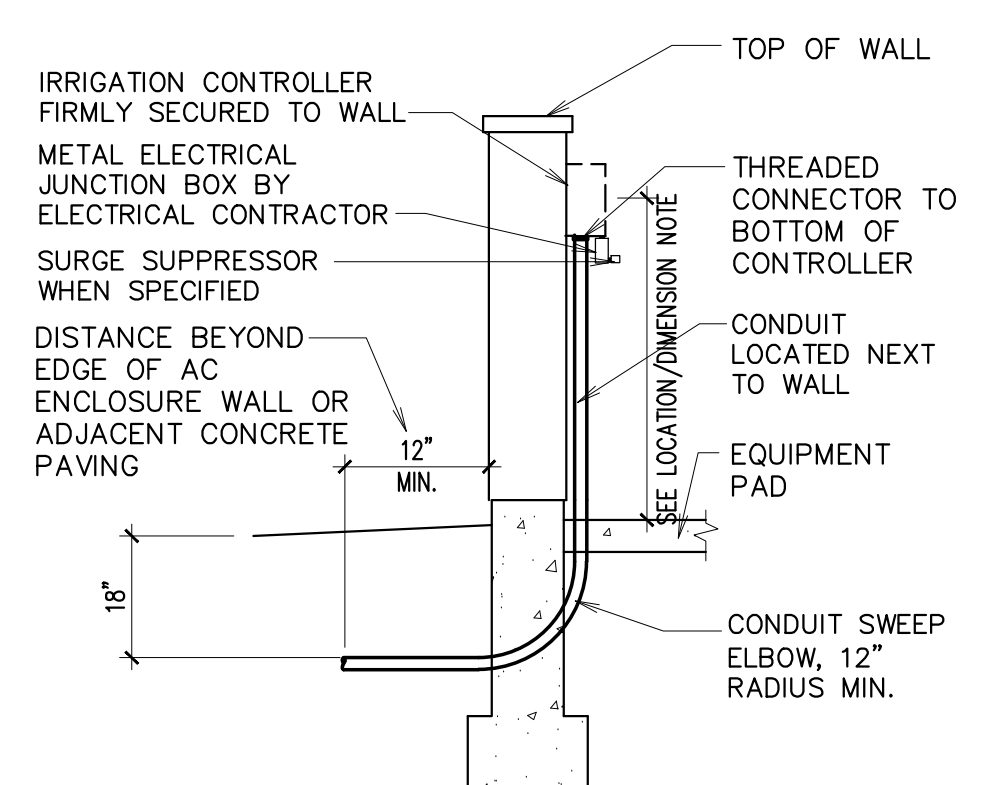


NOTES:
• SEE CONTROLLER MOUNT DETAIL.
• HARD-WIRE TO 110 VAC POWER SOURCE. GROUND PER MANUFACTURER'S RECOMMENDATIONS AND PER ASIC STANDARDS.
• COORDINATE LOCATION OF LAMINATED, MOUNTED, COLOR-CODED IRRIGATION RECORD DRAWING WITH OWNER, ARCHITECT, AND LANDSCAPE ARCHITECT.

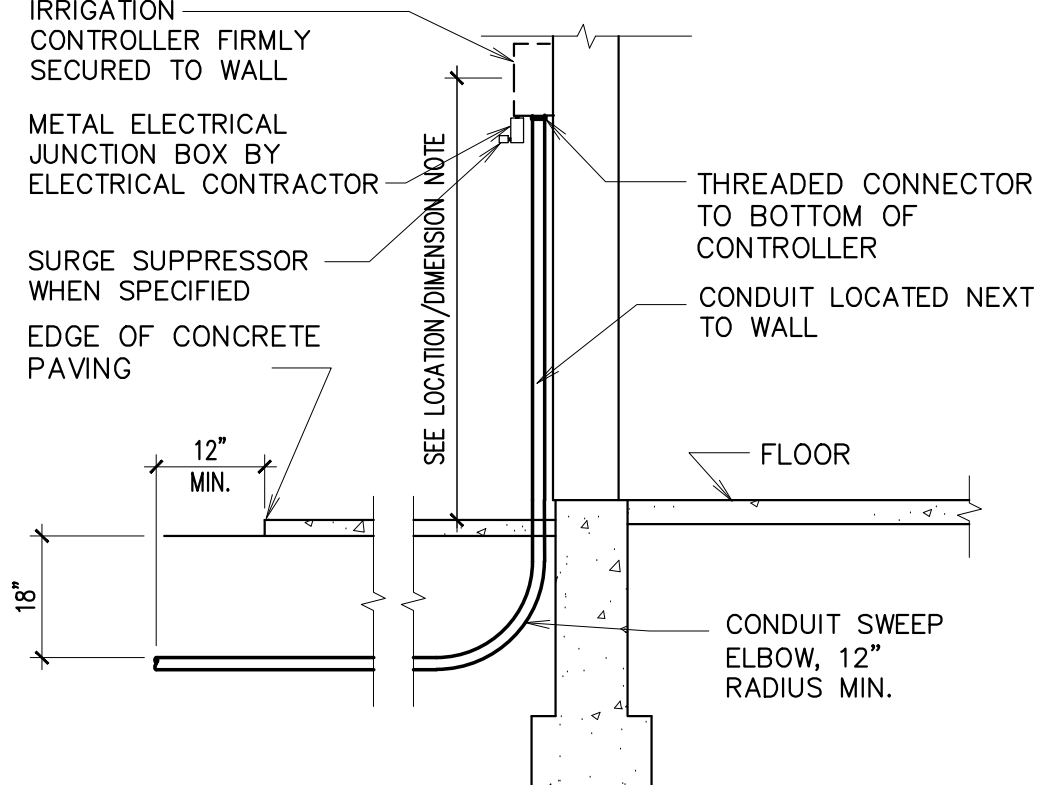
(A) STAND ALONE CONTROLLER
NO SCALE

LOCATION/DIMENSION NOTE:
• PLACE TOP OF CONTROLLER 6" BELOW TOP OF WALL.
• IN HOT CLIMATES PLACE OUT OF DIRECT SUNLIGHT.

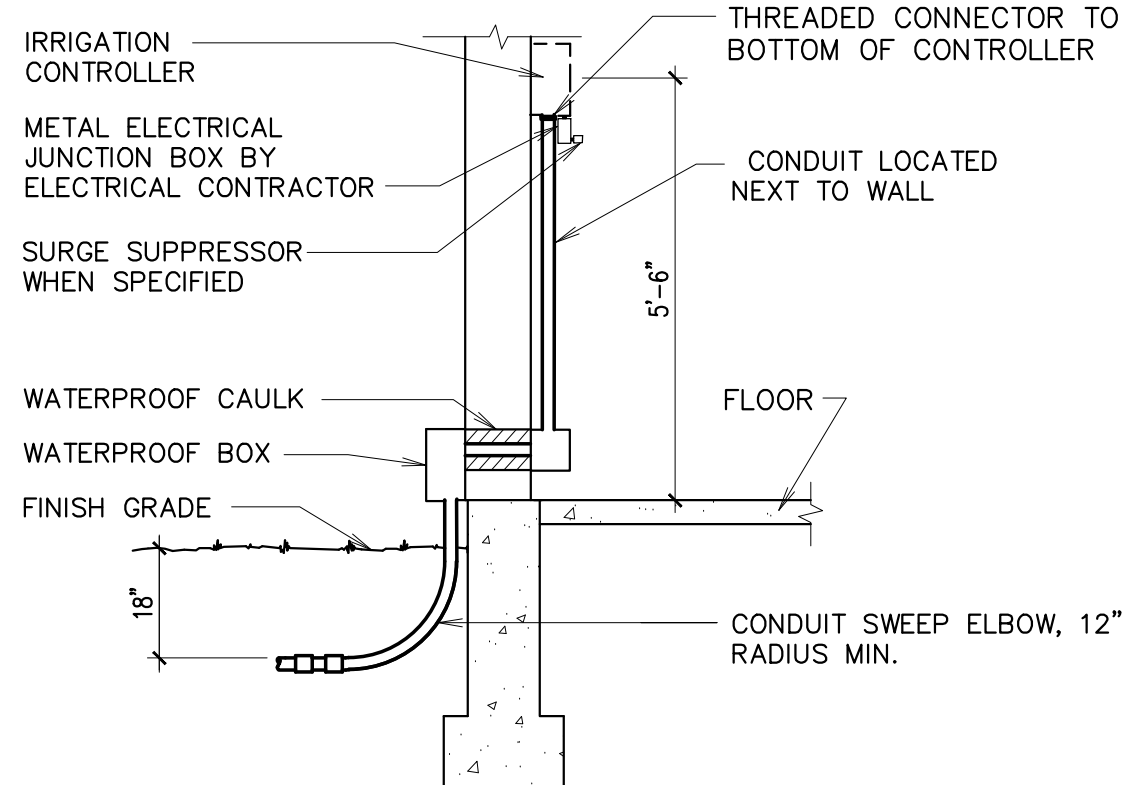
LOCATION/DIMENSION NOTE:
• PREFERENCE HEIGHT ABOVE GRADE IS 5'-6"
• IF PLACED ON SHED, PLACE OUT OF COMMON VIEW.
• IF USED TO REPLACE EXISTING CONTROLLER ON EXTERIOR WALL, INSTALL 6" BELOW TOP OF AC ENCLOSURE WALL.
• IN HOT CLIMATES PLACE OUT OF DIRECT SUNLIGHT.



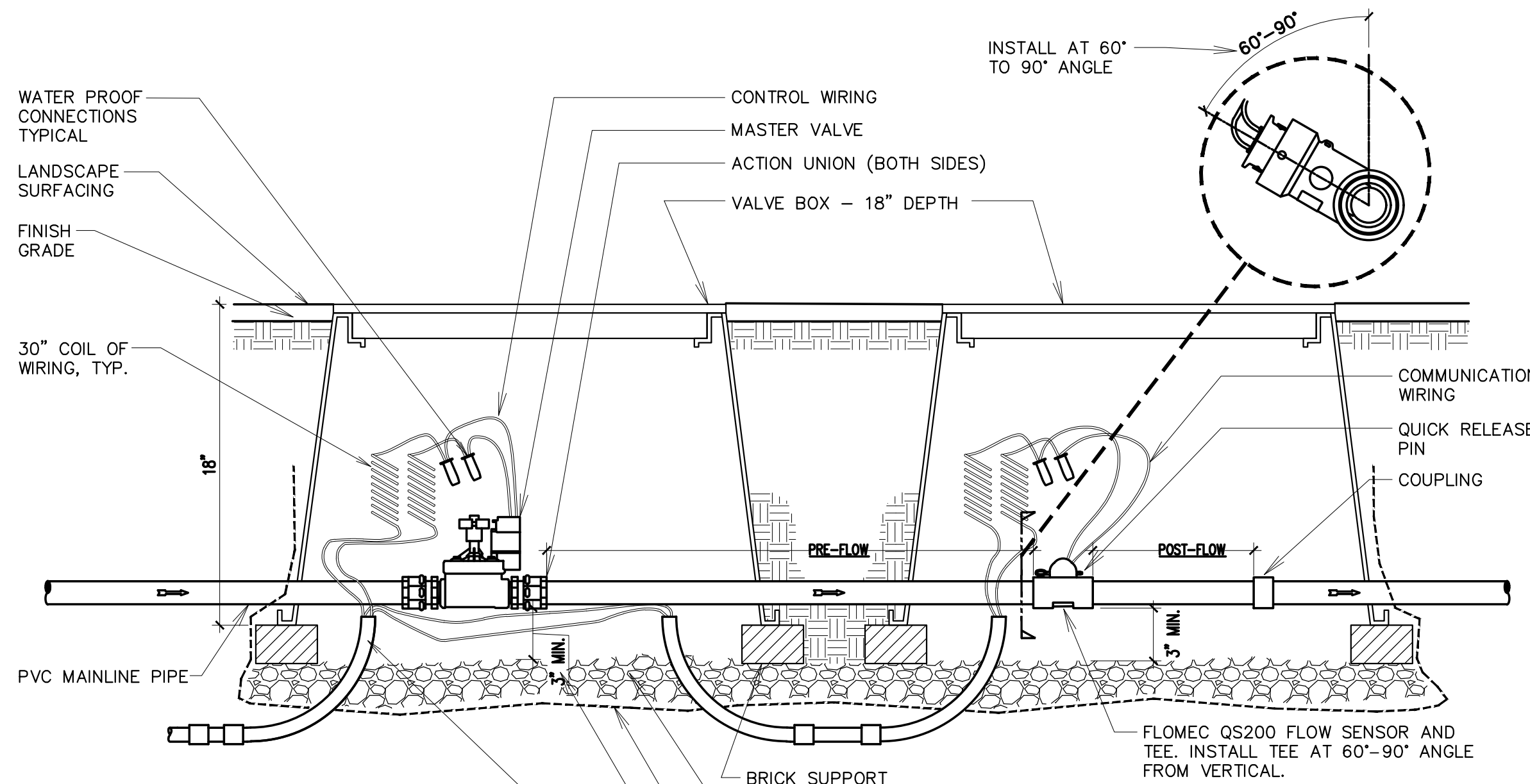
(B) CONTROLLER MOUNT
NO SCALE
(AC ENCLOSURE)



(B) CONTROLLER MOUNT
NO SCALE
(NEW SHED/EXTERIOR REPLACEMENT)



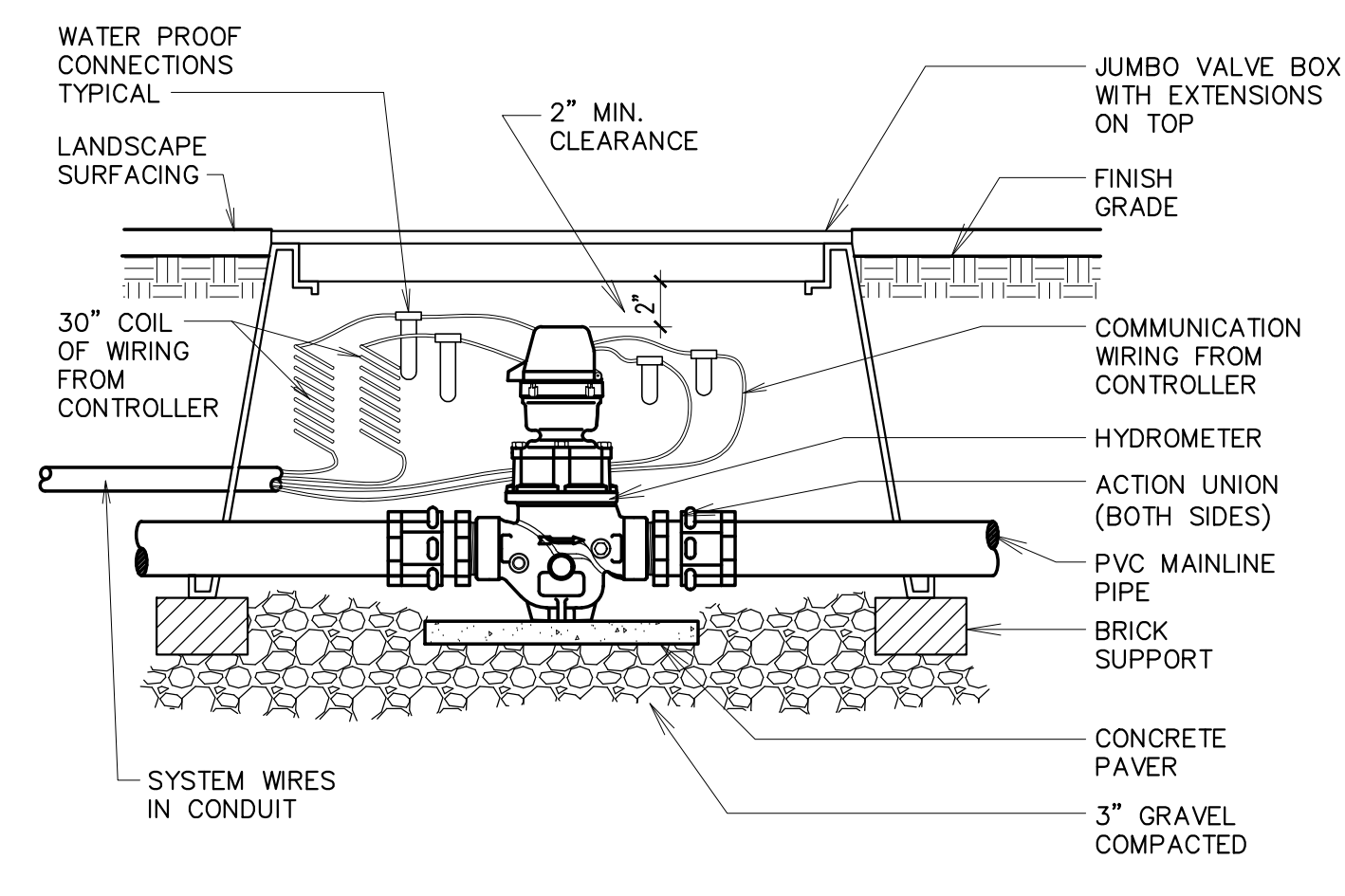
(B) CONTROLLER MOUNT
NO SCALE
(INTERIOR REPLACEMENT ONLY)



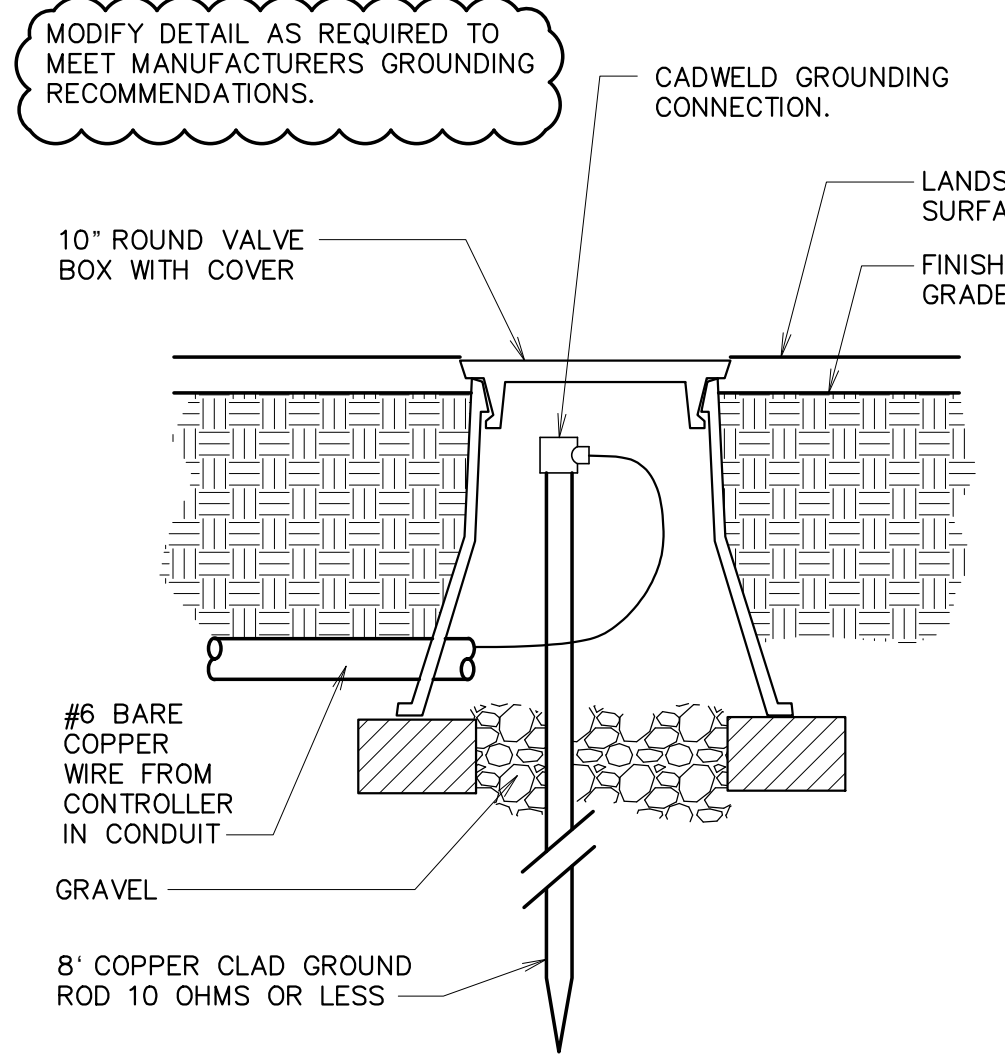
NOTES:
1. REFER TO SCHEDULE FOR MINIMUM PRE-FLOW AND POST-FLOW PIPE DISTANCES MATCHING FLOW SENSOR SIZE AND FREE FROM FITTINGS.
2. MASTER VALVE AND FLOW SENSOR TO BE THE SAME SIZE.
3. PLACE FITTINGS WITHIN VALVE BOX CLEAR OF SUPPORT BRICKS.
4. MAIN LINE DEPTH MAY BE 16" AT VALVE BOX TO FACILITATE BOX INSTALLATION.
5. WHEN APPLICABLE, INSTALL TWO-WIRE DECODER PER AUTOMATIC VALVE DETAIL.
6. INSTALL ALL WIRING AND COMPONENTS PER MANUFACTURER'S RECOMMENDATIONS.

FLOMEC NO FITTING MINIMUM DISTANCE SCHEDULE		
PIPE SIZE	PRE-FLOW	POST-FLOW
1"	10"	5"
1-1/2"	15"	8"
2"	20"	10"

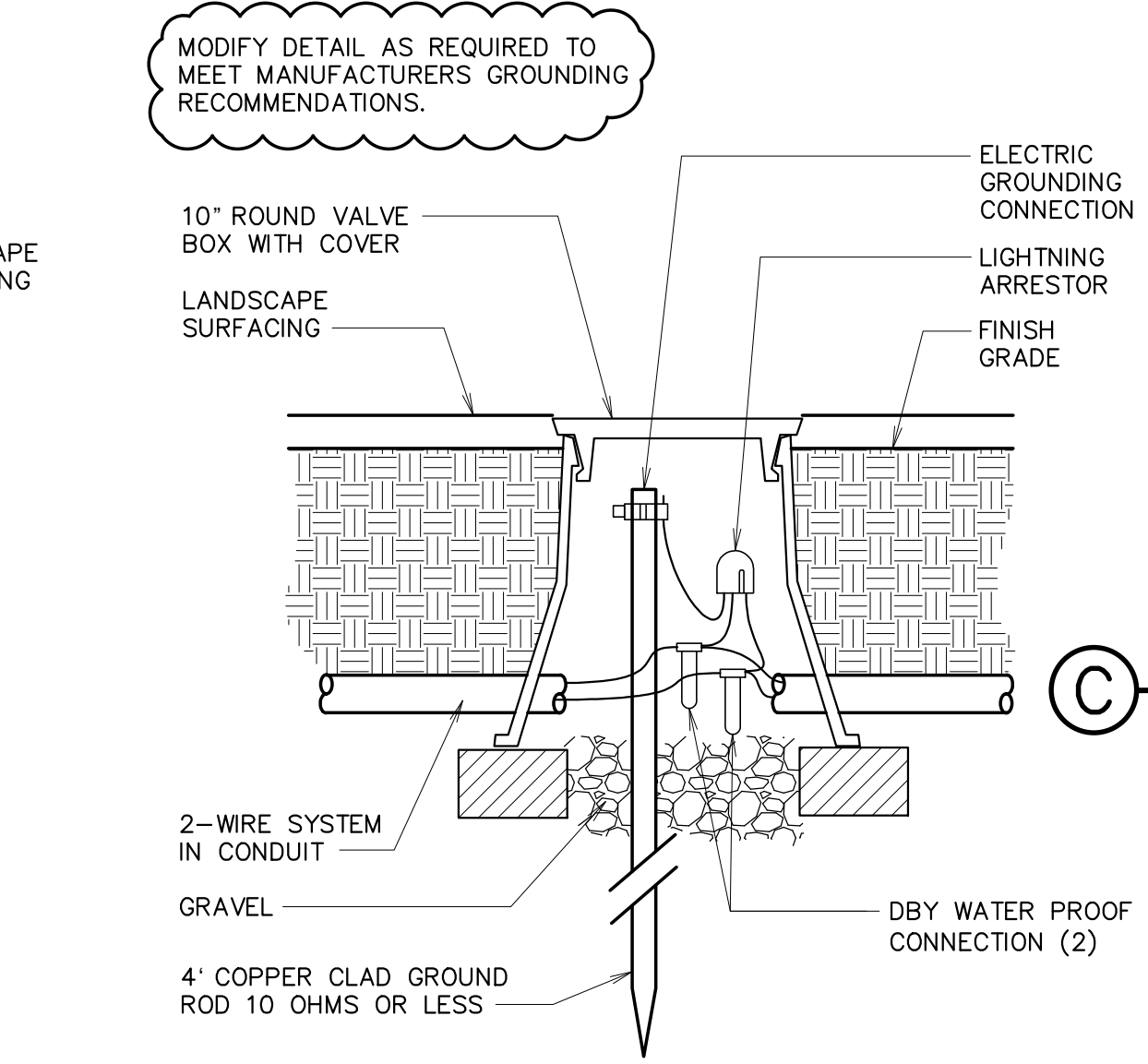
(C) MASTER VALVE / FLOW SENSOR ASSEMBLY (WEATHERTRAK)
NO SCALE



(C) HYDROMETER (RAIN MASTER)
NO SCALE



(D) LIGHTNING GROUNDING ROD
NO SCALE



(E) LIGHTNING ARRESTOR
NO SCALE (TWO-WIRE SYSTEM)

NOTES:
1. SELECT DETAILS APPROPRIATE FOR ECO-REGION AND SITE. SEE AEC DESIGN GUIDELINES FOR ECO-REGION DESCRIPTIONS AND DEVELOPMENT.
2. SELECT APPROPRIATE CONTROLLER AND HYDROMETER OR MASTER VALVE/FLOW SENSOR ASSEMBLY OPTIONS.
3. DELETE DETAILS NOT USED.
4. R&D = RESEARCH AND DEVELOPMENT. BASED ON PRODUCT PERFORMANCE THIS DETAIL MAY BE REMOVED IN FUTURE DETAIL PUBLICATIONS.

EDIT AND REMOVE CLOUDED ITEMS TYPICAL
EDIT DATES

AEC Standard Landscape Details	
Details Downloaded	(Date)
Details Edited	(Date)

Project Name

Project for:
THE CHURCH OF JESUS CHRIST OF LATTER-DAY SAINTS

Mark	Date (m.d.y)	Description

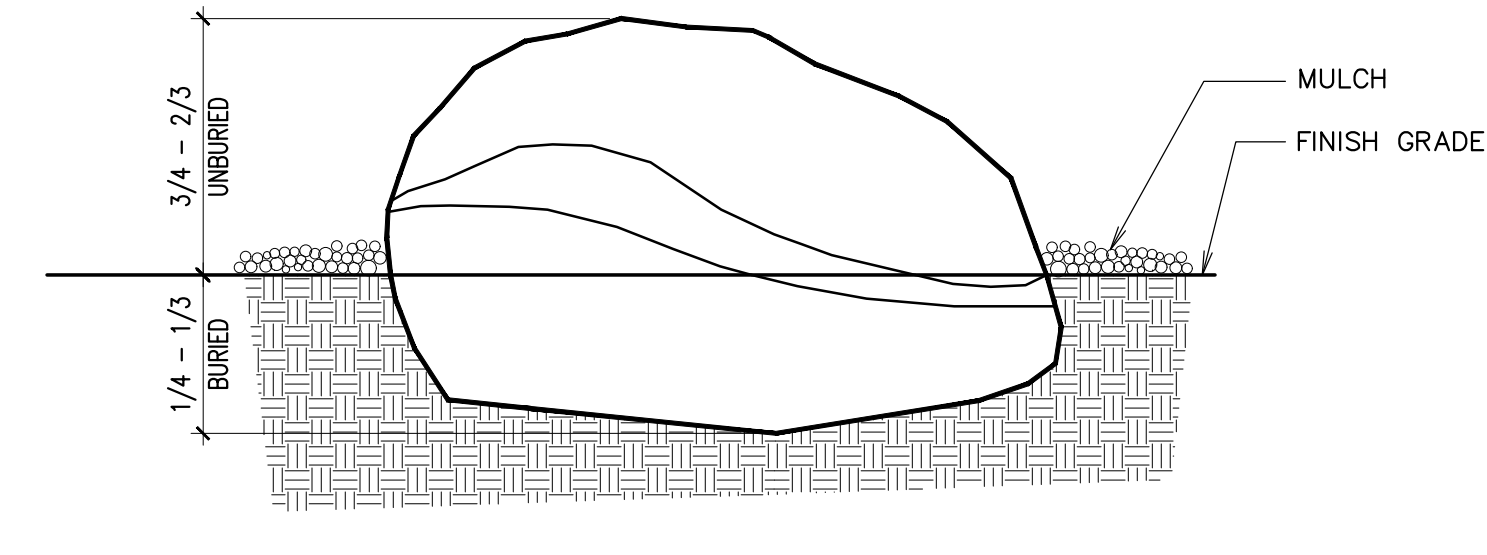
Project Number:

Plan Series:

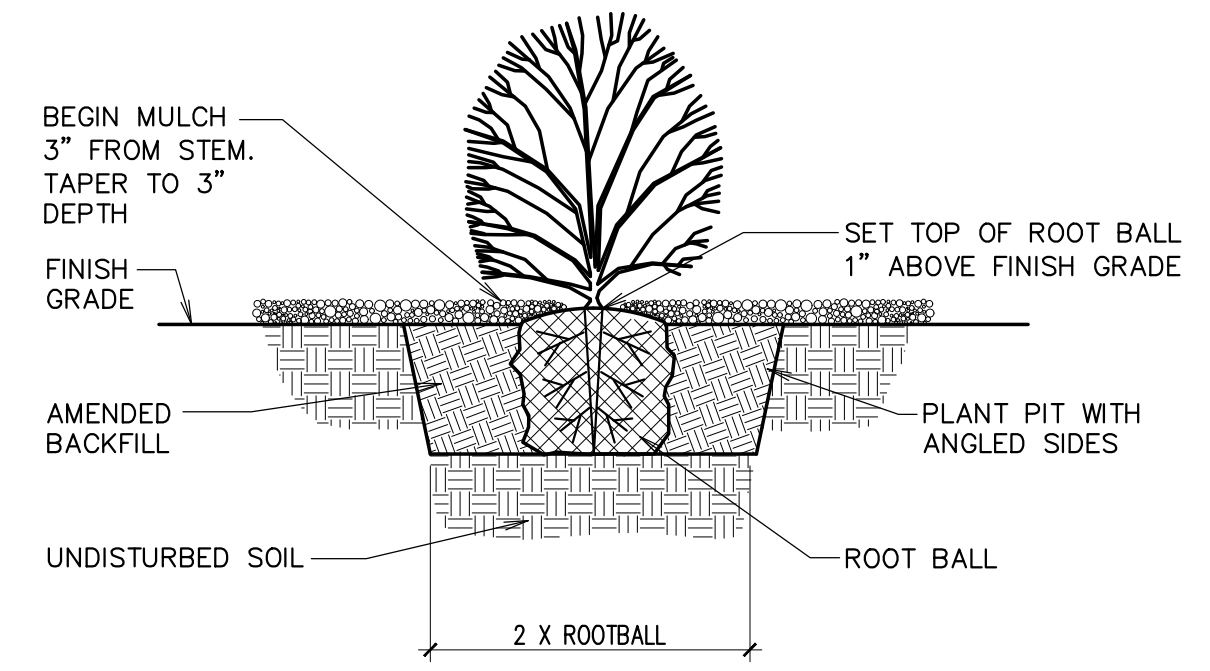
Property Number:

Sheet Title:
IRRIGATION CONTROL DETAILS

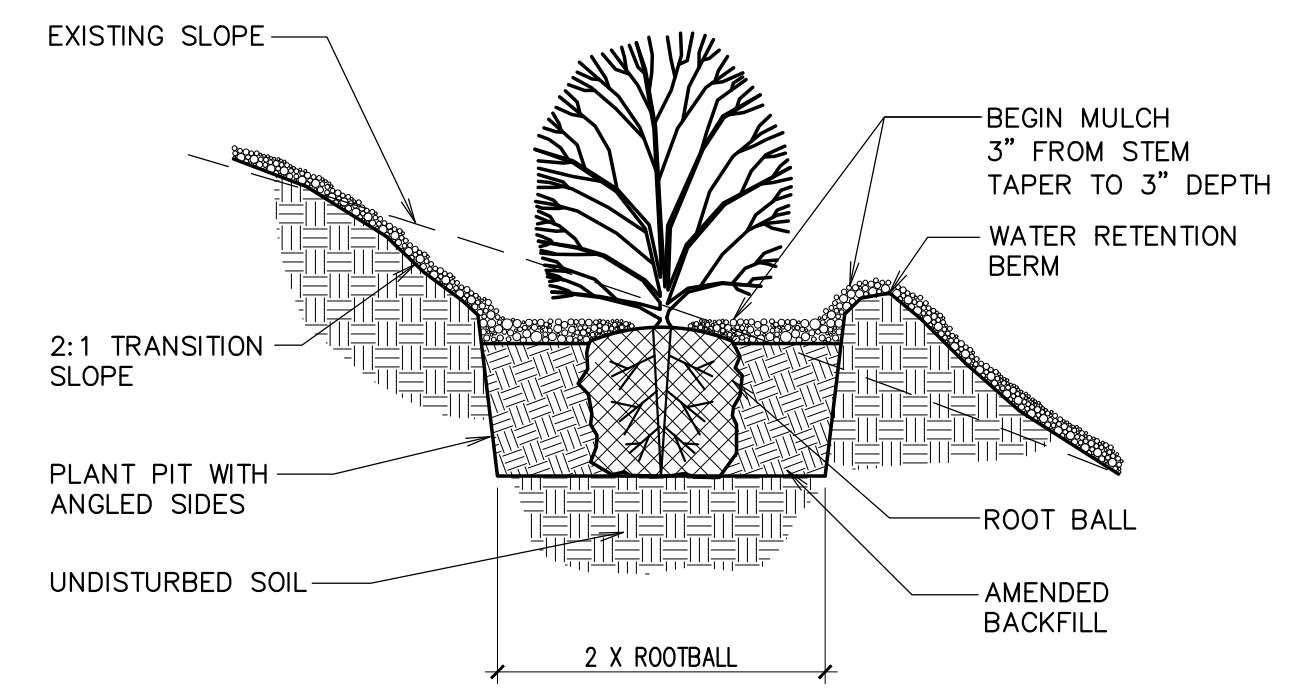
Sheet:
L503



A BOULDER PLACEMENT DETAIL
NOT TO SCALE

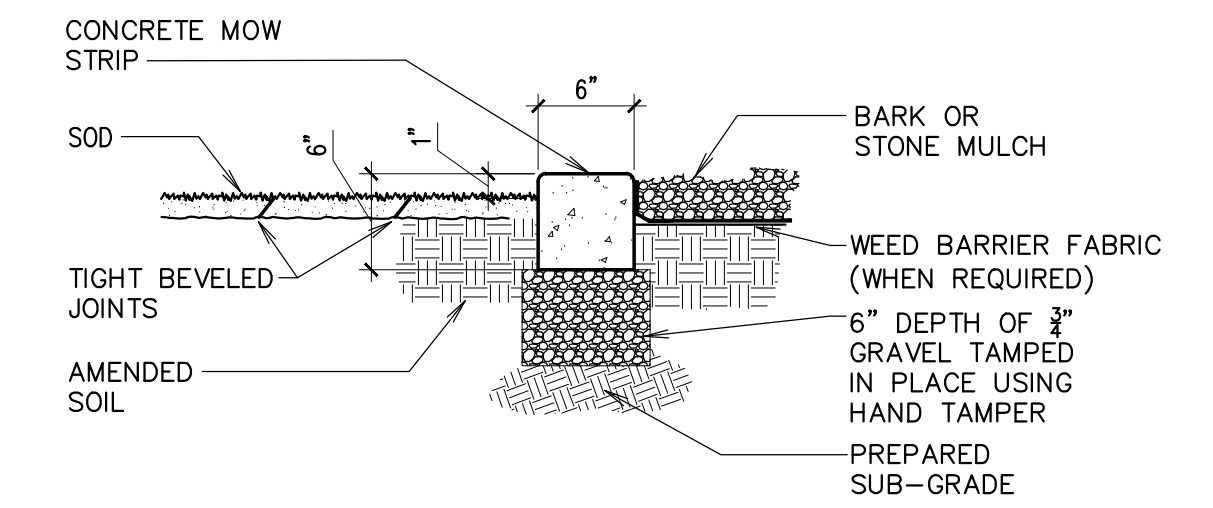


B SHRUB PLANTING DETAIL
NOT TO SCALE

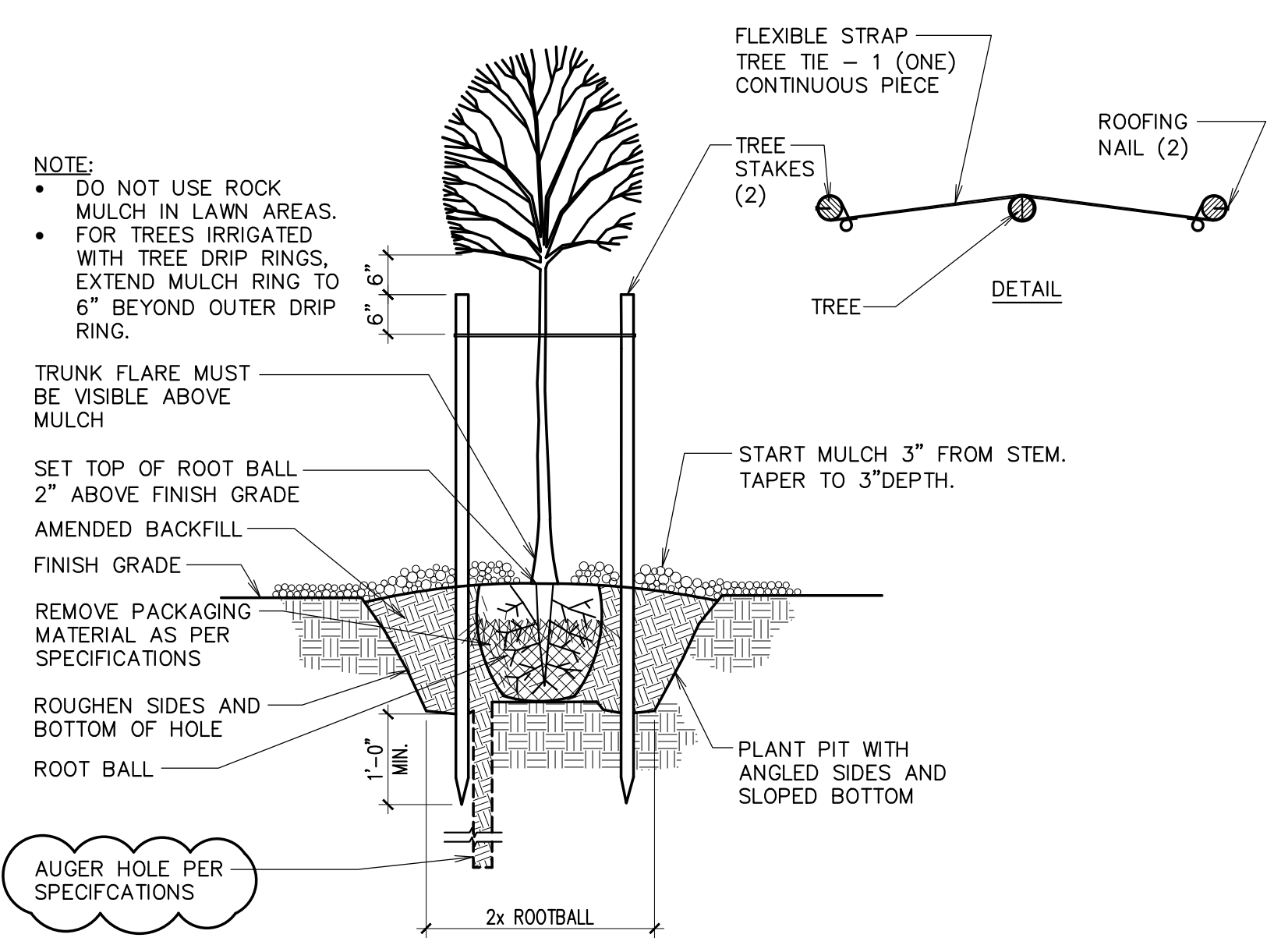


C SLOPE PLANTING
NOT TO SCALE

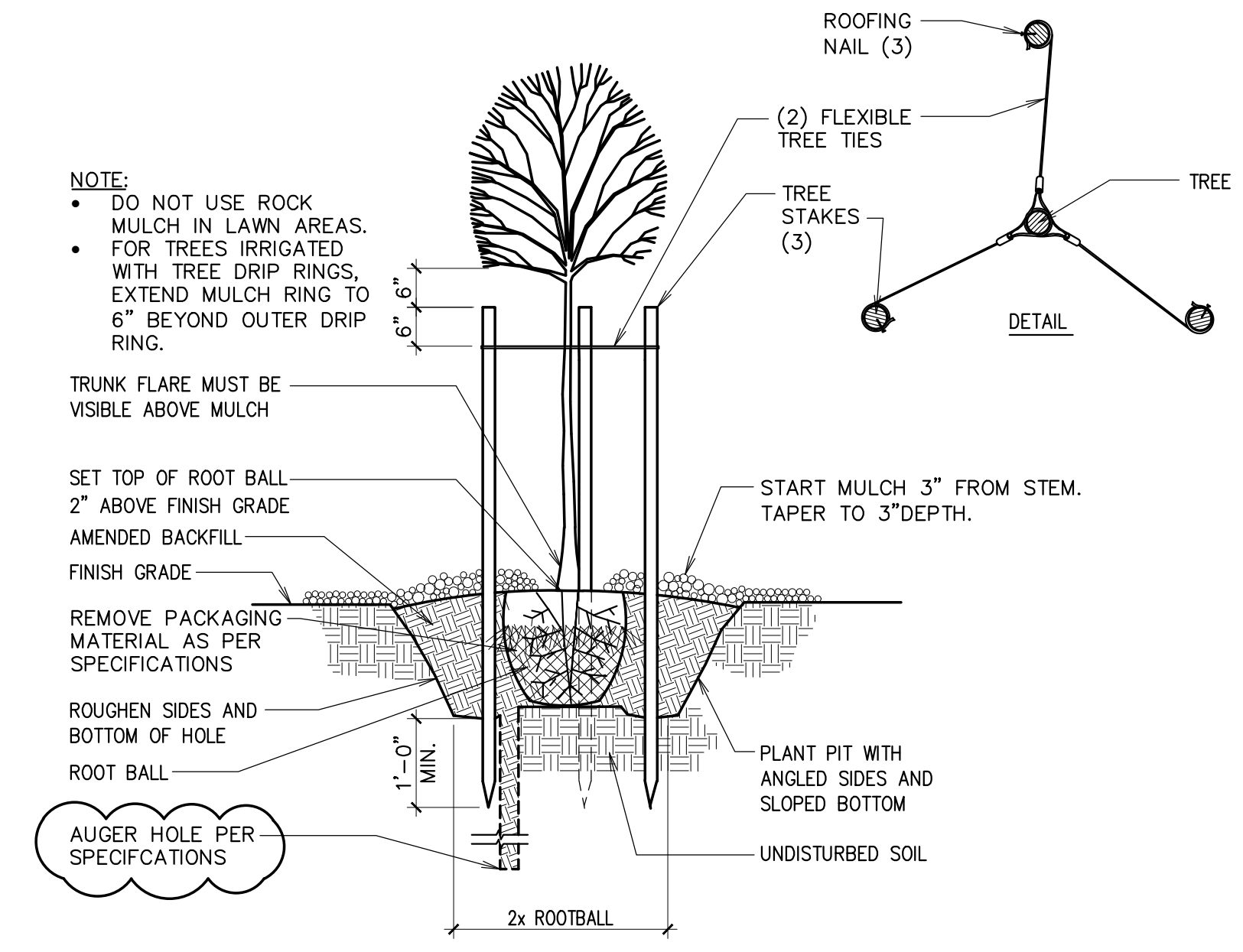
- NOTES:**
1. MOW STRIP TO BE 4,500 PSI CONCRETE WITH 6% AIR ± 1 1/2.
 2. INSTALL EXPANSION AND CONTROL JOINTS AS PER SPECIFICATIONS.
 3. PROVIDE POSITIVE DRAINAGE AROUND MOW STRIPS. DO NOT CREATE A DAM EFFECT WITH PLACEMENT OF MOW STRIP.
 4. MAXIMUM 1/2" WIDTH VARIATION.
 5. FOLLOW LAYOUT PLAN PRECISELY AS SHOWN ON MOW STRIP/EDGING DIMENSION PLAN.
 6. RAISE THE LAWN GRADE 1" WHEN SEEDING.



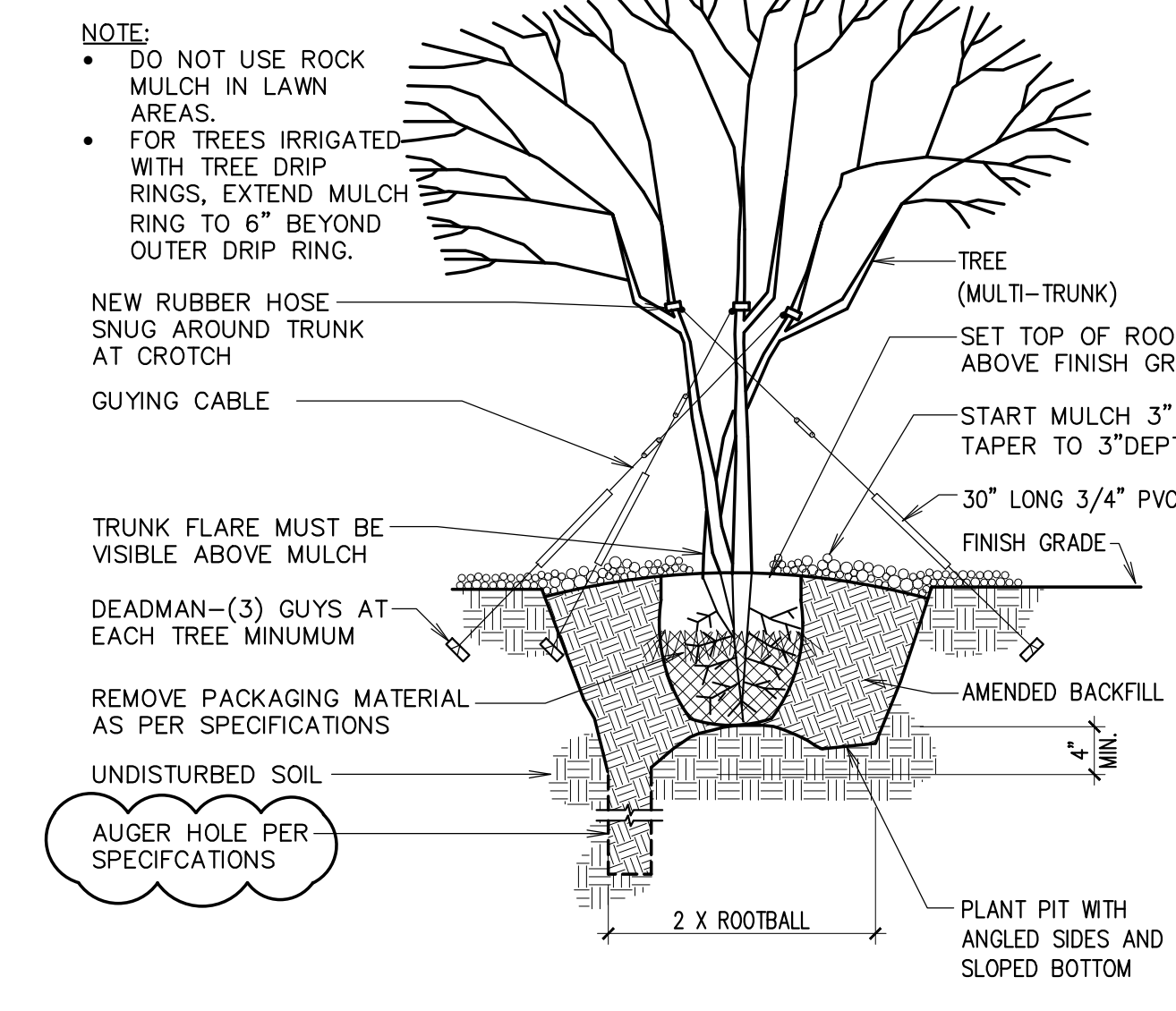
D CONCRETE MOW STRIP
NOT TO SCALE



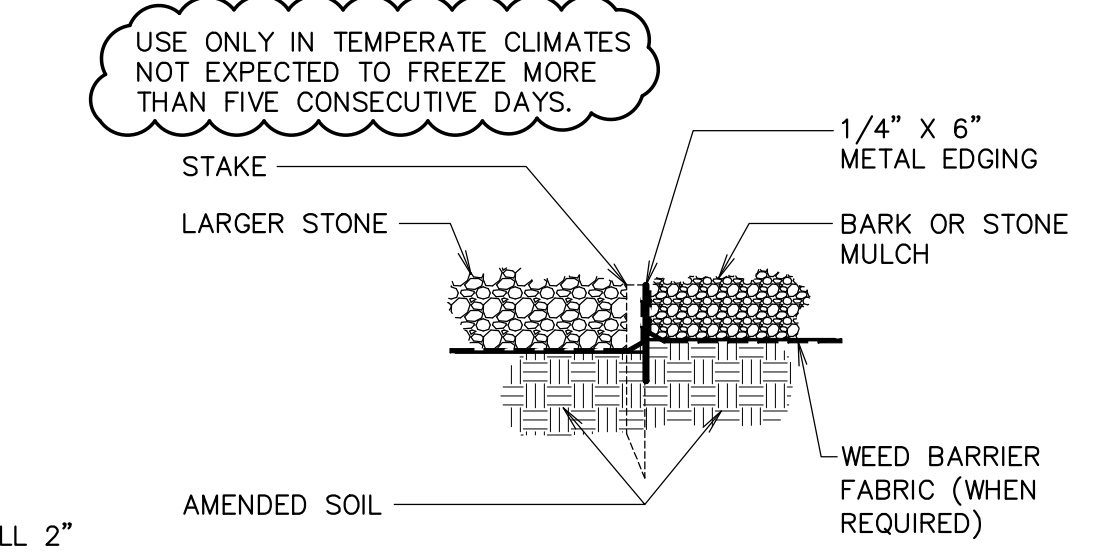
E TREE PLANTING AND STAKING
NOT TO SCALE



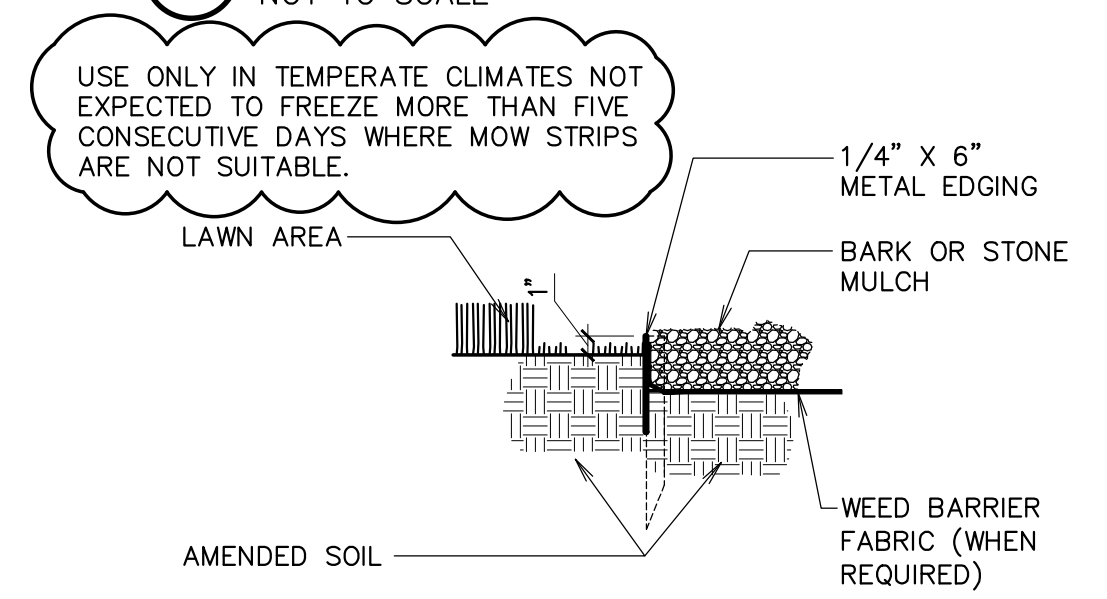
F TREE PLANTING AND STAKING (FOR WINDY AREAS ONLY)
NOT TO SCALE



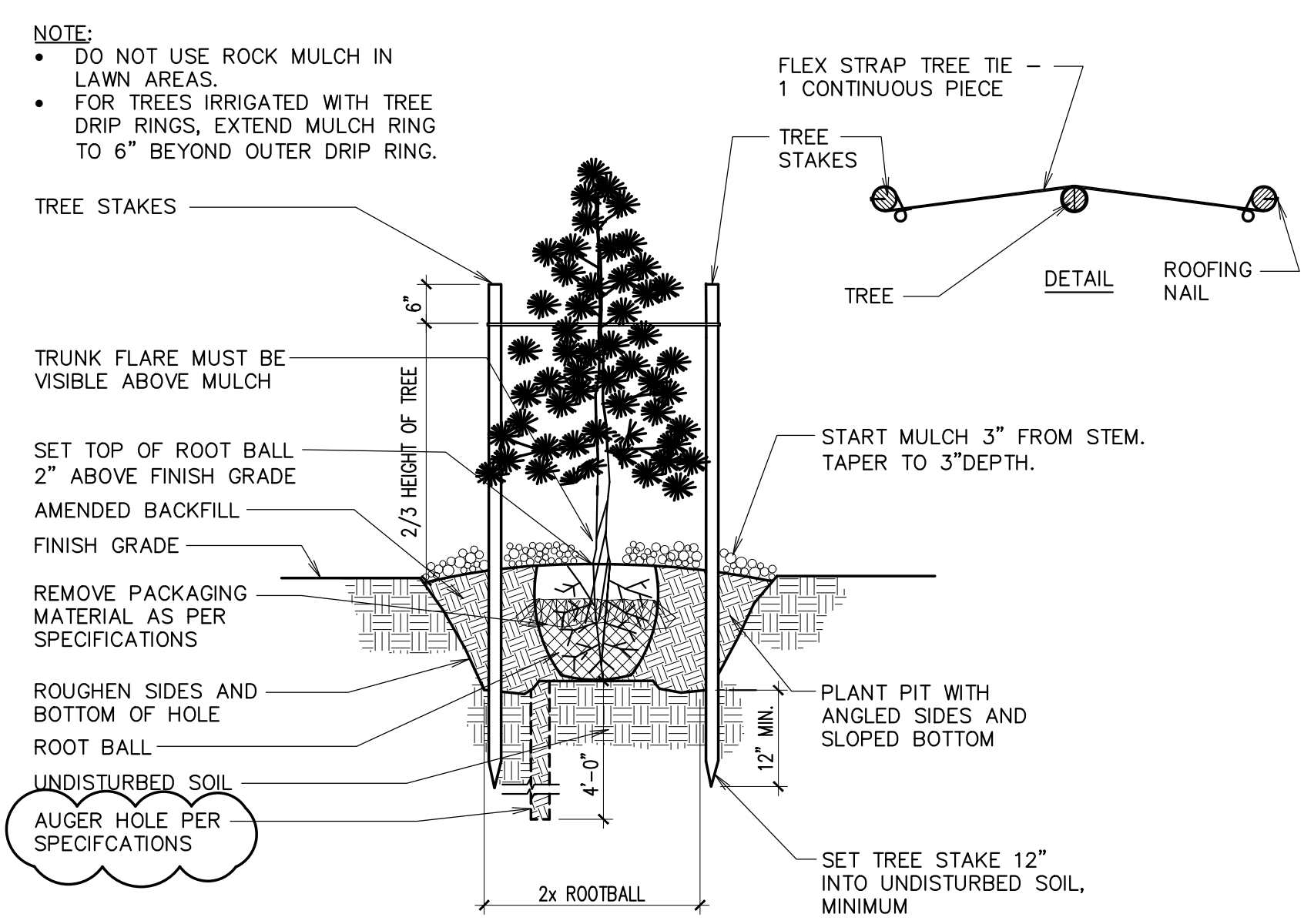
G TREE GUYING (MULTI-TRUNK TREE)
NOT TO SCALE



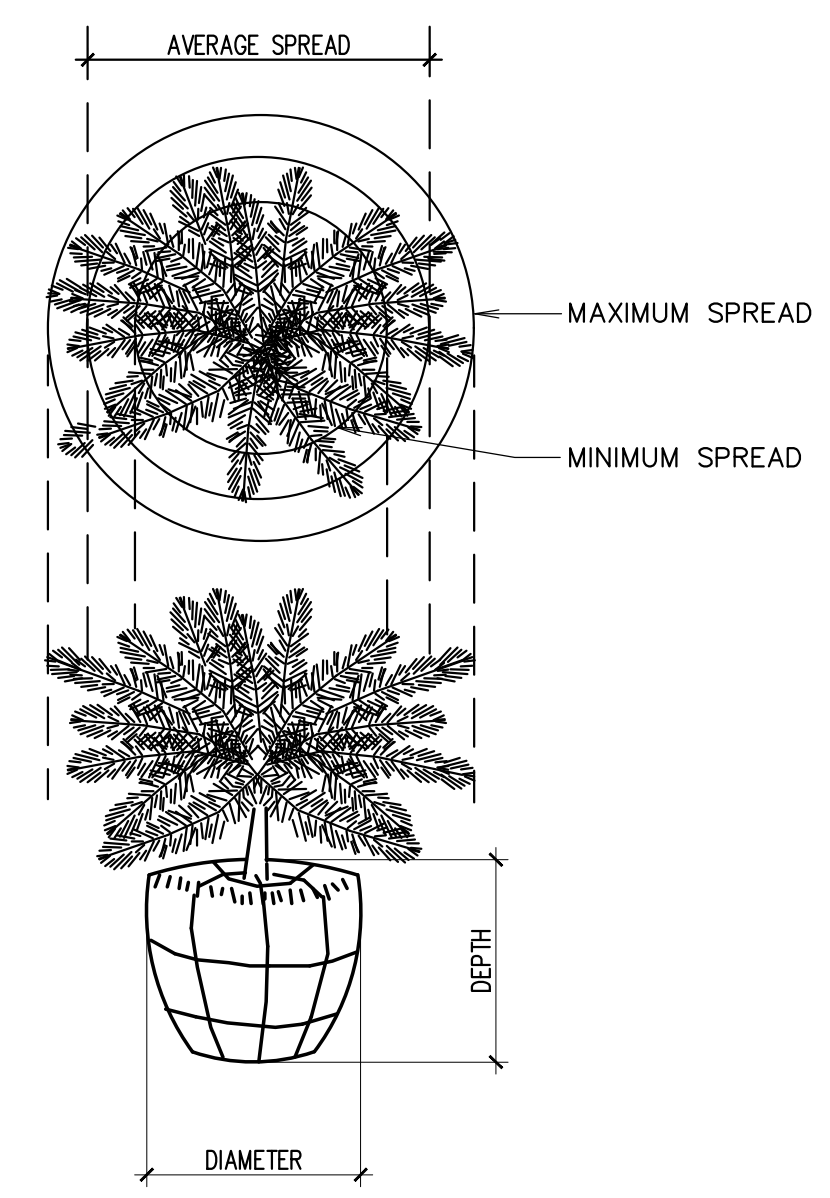
H METAL EDGE DETAIL
NOT TO SCALE



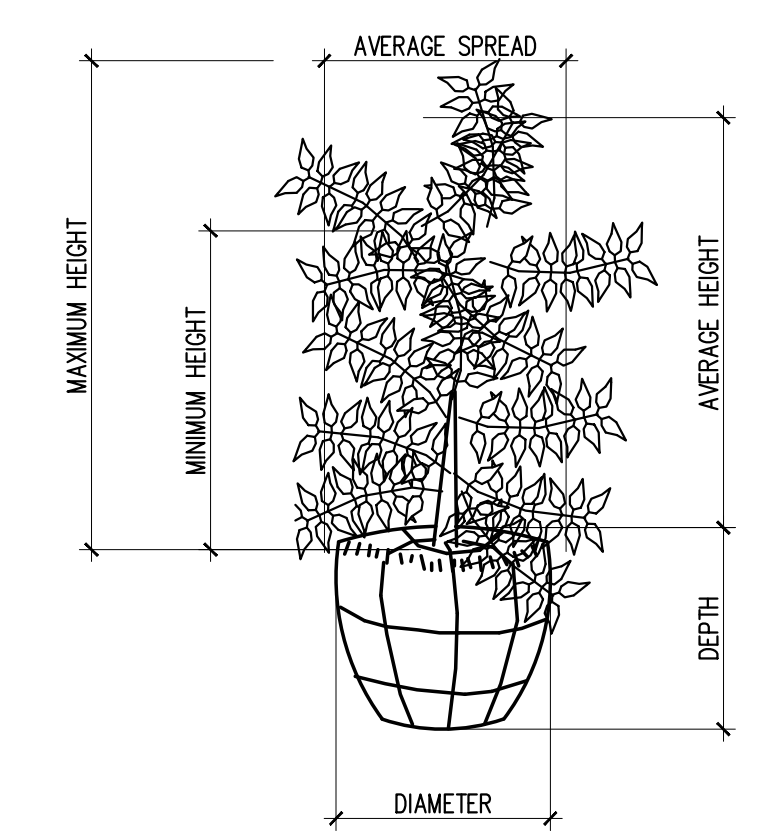
J METAL EDGE AT LAWN
NOT TO SCALE



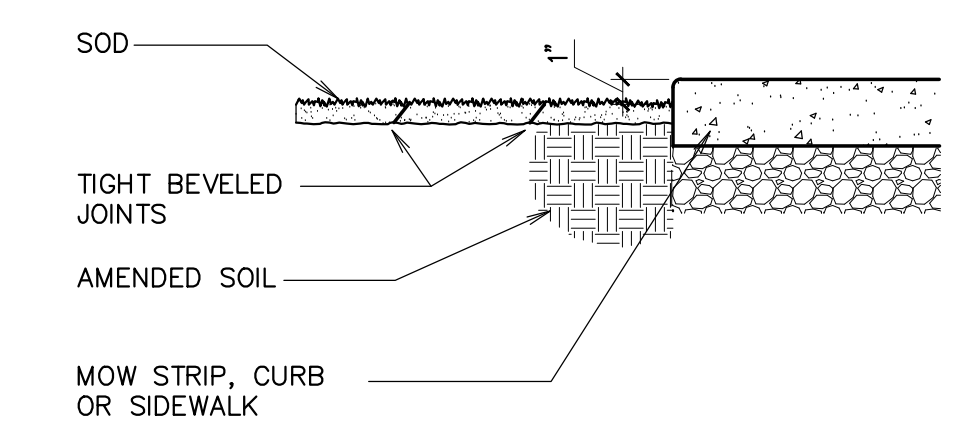
K CONIFER PLANTING AND STAKING
NO SCALE



L TYPICAL MEASUREMENT FOR PROSTRATE TYPE PLANTS
NOT TO SCALE



M TYPICAL MEASUREMENT FOR BROAD UPRIGHT TYPE
NOT TO SCALE



N SOD INSTALLATION
NOT TO SCALE

1. SELECT DETAILS APPROPRIATE FOR ECO-REGION AND SITE. SEE AEC DESIGN GUIDELINES FOR ECO-REGION DESCRIPTIONS AND DEVELOPMENT.
2. SELECT APPROPRIATE AUTOMATIC VALVE OPTION. DELETE DETAILS NOT USED.
3. IF PALMS ARE USED, INSERT DETAIL PROVIDED IN MODEL SPACE.
3. FOR AREAS SUCH AS SOUTHERN NEVADA AND SOUTHERN ARIZONA WHERE A 2" DECOMPOSED GRANITE IS COMMON REVISE MULCH AND PLANTING DEPTHS ON THIS PLAN TO MATCH.

EDIT AND REMOVE CLOUDED ITEMS TYPICAL

EDIT DATES

Stamp:

Project Name

Project Address

Project for:

THE CHURCH OF JESUS CHRIST OF LATTER-DAY SAINTS

Mark	Date	Description

Project Number: ***
Plan Series: *****
Property Number: ***

Sheet Title:
GENERAL PLANTING DETAILS

Sheet:

L506