

SYLVANIA Luminaires

ValueLED™ Lumen Selectable Volumetric Troffer

Application

The ValueLED Volumetric Troffer is offered in three sizes (1'x4', 2'x2', and 2'x4') and is ideal for illuminating offices, retail spaces, hallways, multipurpose rooms and hospitality areas.

Benefits and Features

- Lumen selectability increases the versatility of this product
- All models are DLC 5.1 listed to maximize rebate opportunities
- Ideal in retrofit applications, offering up to 61% energy savings when compared to traditional lighting technologies
- Additional energy savings can be obtained by taking advantage of the standard 0-10V dimming driver
- Up to 125 LPW
- 3500K, 4000K or 5000K color temperature
- 0-10V dimmable
- CRI >80

Electrical

- 120-277V_{AC}
- THD <20%
- Power Factor >90%

Rated Life

- 100,000 hours (L₇₀) @25°C

Warranty

- 5-year
- NLB Trusted Warranty Program

Ambient Operating Range

- -4°F to +120°F (-20°C to +50°C)
- +32°F to +120°F (0°C to +50°C) (Emergency versions)

Certifications and Listings

- cULus
- RoHS
- FCC
- DLC 5.1 Standard



Wattage Comparison

Traditional Source	Traditional System Wattage	LED System Wattage	Energy Savings
2x28W T8	49	20	59%
2x32W T8	56	25	55%
3x28W T8	64	30	53%
3x32W T8	75	34	55%
4x28W T8	97	38	61%
4x32W T8	116	45	61%

Installation

- Luminaire lays in standard 15/16" and 9/16" T-grid ceilings



Catalog #	Type
Project	
Comments	
Prepared by	

Ordering Guide

VOLUME	5A	S	/ XX	UNX	D	8	XX	/ XX	U	/ WH	XX
Product Name	Generation	Lumen Selectable	Wattage	Voltage	Dimming	CRI	Color Temp	Size	Mounting	Color/Finish	Options
VOLUME =	5A =	S = Lumen	30 = 20, 25	UNV =	D = 0-10V	8 = >80	35 = 3500K	14 = 1x4 ft	U = Universal	WH = White	Blank = no
Volumetric	Generation 5A	Selectable	or 30W	120-277V			40 = 4000K	22 = 2x2 ft	Mounting		option
Troffer			34 = 25, 30				50 = 5000K	24 = 2x4 ft			E = Emergency
			or 34W								Battery Back-up
			45 = 34, 38								A2 = Lutron Vive Integral
			or 45W								Fixture Control (RF only)
											A3 = Lutron Vive Integral
											Fixture Control with
											Sensor

Ordering Information

Item Number	Ordering Abbreviation	Wattage (W)	Input Voltage (V)	Dimming	CRI	Color Temperature (CCT)	Total Fixture Lumens	LPW	DLC	Options	MTO*
61512	VOLUME5AS/030UNVD835/22U/WH	20, 25 or 30	120-277	0-10V	>80	3500K	2500, 3125 or 3750	125	Std	-	-
61513	VOLUME5AS/030UNVD840/22U/WH	20, 25 or 30	120-277	0-10V	>80	4000K	2500, 3125 or 3750	125	Std	-	-
61514	VOLUME5AS/030UNVD850/22U/WH	20, 25 or 30	120-277	0-10V	>80	5000K	2500, 3125 or 3750	125	Std	-	-
61515	VOLUME5AS/034UNVD835/24U/WH	25, 30 or 34	120-277	0-10V	>80	3500K	3100, 3750 or 4250	125	Std	-	-
61516	VOLUME5AS/034UNVD840/24U/WH	25, 30 or 34	120-277	0-10V	>80	4000K	3100, 3750 or 4250	125	Std	-	-
61517	VOLUME5AS/034UNVD850/24U/WH	25, 30 or 34	120-277	0-10V	>80	5000K	3100, 3750 or 4250	125	Std	-	-
61518	VOLUME5AS/045UNVD835/24U/WH	34, 38 or 45	120-277	0-10V	>80	3500K	4250, 4750 or 5600	125	Std	-	-
61519	VOLUME5AS/045UNVD840/24U/WH	34, 38 or 45	120-277	0-10V	>80	4000K	4250, 4750 or 5600	125	Std	-	-
61520	VOLUME5AS/045UNVD850/24U/WH	34, 38 or 45	120-277	0-10V	>80	5000K	4250, 4750 or 5600	125	Std	-	-
61521	VOLUME5AS/030UNVD835/14U/WH	20, 25 or 30	120-277	0-10V	>80	3500K	2500, 3125 or 3750	125	Std	-	-
61522	VOLUME5AS/030UNVD840/14U/WH	20, 25 or 30	120-277	0-10V	>80	4000K	2500, 3125 or 3750	125	Std	-	-
61523	VOLUME5AS/030UNVD850/14U/WH	20, 25 or 30	120-277	0-10V	>80	5000K	2500, 3125 or 3750	125	Std	-	-
61684	VOLUME5AS/030UNVD835/22U/WH/E	20, 25 or 30	120-277	0-10V	>80	3500K	2500, 3125 or 3750	125	Std	Emergency Battery Back-Up	MTO
61685	VOLUME5AS/030UNVD840/22U/WH/E	20, 25 or 30	120-277	0-10V	>80	4000K	2500, 3125 or 3750	125	Std	Emergency Battery Back-Up	MTO
61686	VOLUME5AS/030UNVD850/22U/WH/E	20, 25 or 30	120-277	0-10V	>80	5000K	2500, 3125 or 3750	125	Std	Emergency Battery Back-Up	MTO
61687	VOLUME5AS/034UNVD835/24U/WH/E	25, 30 or 34	120-277	0-10V	>80	3500K	3100, 3750 or 4250	125	Std	Emergency Battery Back-Up	MTO
61688	VOLUME5AS/034UNVD840/24U/WH/E	25, 30 or 34	120-277	0-10V	>80	4000K	3100, 3750 or 4250	125	Std	Emergency Battery Back-Up	MTO
61689	VOLUME5AS/034UNVD850/24U/WH/E	25, 30 or 34	120-277	0-10V	>80	5000K	3100, 3750 or 4250	125	Std	Emergency Battery Back-Up	MTO
61690	VOLUME5AS/045UNVD835/24U/WH/E	34, 38 or 45	120-277	0-10V	>80	3500K	4250, 4750 or 5600	125	Std	Emergency Battery Back-Up	MTO
61691	VOLUME5AS/045UNVD840/24U/WH/E	34, 38 or 45	120-277	0-10V	>80	4000K	4250, 4750 or 5600	125	Std	Emergency Battery Back-Up	MTO
61692	VOLUME5AS/045UNVD850/24U/WH/E	34, 38 or 45	120-277	0-10V	>80	5000K	4250, 4750 or 5600	125	Std	Emergency Battery Back-Up	MTO
61693	VOLUME5AS/030UNVD835/14U/WH/E	20, 25 or 30	120-277	0-10V	>80	3500K	2500, 3125 or 3750	125	Std	Emergency Battery Back-Up	MTO
61694	VOLUME5AS/030UNVD840/14U/WH/E	20, 25 or 30	120-277	0-10V	>80	4000K	2500, 3125 or 3750	125	Std	Emergency Battery Back-Up	MTO
61695	VOLUME5AS/030UNVD850/14U/WH/E	20, 25 or 30	120-277	0-10V	>80	5000K	2500, 3125 or 3750	125	Std	Emergency Battery Back-Up	MTO
62911	VOLUME5AS030UNVD84014UWHA2	20, 25 or 30	120-277	0-10V	>80	4000K	2500, 3125 or 3750	125	Std	Lutron Vive Integral Fixture Control (RF only)	MTO
62912	VOLUME5AS030UNVD84022UWHA2	20, 25 or 30	120-277	0-10V	>80	4000K	2500, 3125 or 3750	125	Std	Lutron Vive Integral Fixture Control (RF only)	MTO
62913	VOLUME5AS034UNVD84024UWHA2	25, 30 or 34	120-277	0-10V	>80	4000K	3100, 3750 or 4250	125	Std	Lutron Vive Integral Fixture Control (RF only)	MTO
62105	VOLUME5AS/030UNVD835/14U/WH/A3	20, 25 or 30	120-277	0-10V	>80	3500K	2500, 3125 or 3750	125	Std	Lutron Vive Integral Fixture Control with Sensor	MTO
62106	VOLUME5AS/030UNVD835/22U/WH/A3	20, 25 or 30	120-277	0-10V	>80	3500K	2500, 3125 or 3750	125	Std	Lutron Vive Integral Fixture Control with Sensor	MTO
63295	VOLUME5AS030UNVD84014UWHA3	20, 25 or 30	120-277	0-10V	>80	4000K	2500, 3125 or 3750	125	Std	Lutron Vive Integral Fixture Control with Sensor	MTO
62104	VOLUME5AS/034UNVD835/24U/WH/A3	25, 30 or 34	120-277	0-10V	>80	3500K	3100, 3750 or 4250	125	Std	Lutron Vive Integral Fixture Control with Sensor	MTO
62887	VOLUME5AS034UNVD84024UWHA3	25, 30 or 34	120-277	0-10V	>80	4000K	3100, 3750 or 4250	125	Std	Lutron Vive Integral Fixture Control with sensor	MTO

*Made To Order

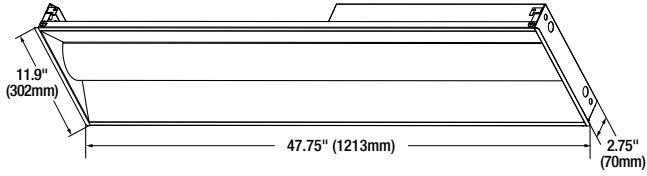
Photometric Data

		8 ft Mounting Height			10 ft Mounting Height			12 ft Mounting Height		
		On Center Luminaire Spacing								
		8'x10'	10'x10'	10'x12'	8'x10'	10'x10'	10'x12'	8'x10'	10'x10'	10'x12'
1'x4' 30W	VOLUME5A/030UNVD835/14G/WH	47.6/1.5	40.0/1.3	35.7/1.5	46.4/1.6	39.2/1.4	34.5/1.3	44.3/1.7	37.8/1.5	33.1/1.3
	VOLUME5A/030UNVD840/14G/WH									
	VOLUME5A/030UNVD850/14G/WH									
	VOLUME5A/030UNVD835/14G/WH/E									
	VOLUME5A/030UNVD840/14G/WH/E									
VOLUME5A/030UNVD850/14G/WH/E										
2'x2' 30W	VOLUME5A/030UNVD835/22G/WH	43.4/1.5	36.6/1.3	32.5/1.5	42.3/1.5	35.7/1.4	31.4/1.3	40.3/1.6	34.3/1.5	30.0/1.3
	VOLUME5A/030UNVD840/22G/WH									
	VOLUME5A/030UNVD850/22G/WH									
	VOLUME5A/030UNVD835/22G/WH/E									
	VOLUME5A/030UNVD840/22G/WH/E									
VOLUME5A/030UNVD850/22G/WH/E										
2'x4' 34W	VOLUME5A/034UNVD835/24G/WH	51.3/1.5	43.3/1.3	38.4/1.5	50.1/1.5	42.1/1.4	37.1/1.3	47.5/1.6	40.5/1.5	35.4/1.3
	VOLUME5A/034UNVD840/24G/WH									
	VOLUME5A/034UNVD850/24G/WH									
	VOLUME5A/034UNVD835/24G/WH/E									
	VOLUME5A/034UNVD840/24G/WH/E									
VOLUME5A/034UNVD850/24G/WH/E										
2'x4' 45W	VOLUME5A/045UNVD835/24G/WH	70.7/1.4	59.2/1.3	53.1/1.6	68.8/1.5	58.1/1.4	51.0/1.3	65.4/1.6	55.7/1.5	48.8/1.3
	VOLUME5A/045UNVD840/24G/WH									
	VOLUME5A/045UNVD850/24G/WH									
	VOLUME5A/045UNVD835/24G/WH/E									
	VOLUME5A/045UNVD840/24G/WH/E									
VOLUME5A/045UNVD850/24G/WH/E										

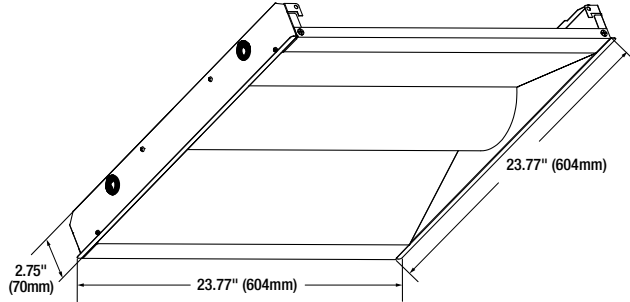
Physical Information

Luminaire Description	Length	Width	Height
1x4	47.75" (1213mm)	11.9" (302mm)	2.75" (70mm)
2x2	23.77" (604mm)	23.77" (604mm)	2.75" (70mm)
2x4	47.75" (1213mm)	23.77" (604mm)	2.75" (70mm)

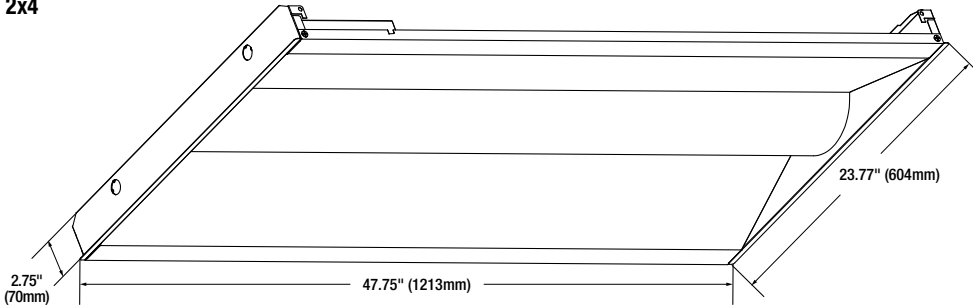
1x4



2x2



2x4



Accessories

Item Number	Ordering Abbreviation	Item Description
60457	FK1A/14G/WH	1x4 Flange Kit, White Finish
60458	FK1A/22G/WH	2x2 Flange Kit, White Finish
60459	FK1A/24G/WH	2x4 Flange Kit, White Finish

LEDVANCE LLC
 181 Ballardvale Street, Suite 203
 Wilmington, MA 01887 USA
 Phone 1-800-LIGHTBULB (1-800-544-4828)
www.ledvanceUS.com

SYLVANIA and LEDVANCE are registered trademarks.
 All other trademarks are those of their respective owners.
 Licensee of product trademark SYLVANIA in general lighting.
 Specifications subject to change without notice.



SCAN TO FOLLOW US
 ON SOCIAL MEDIA

