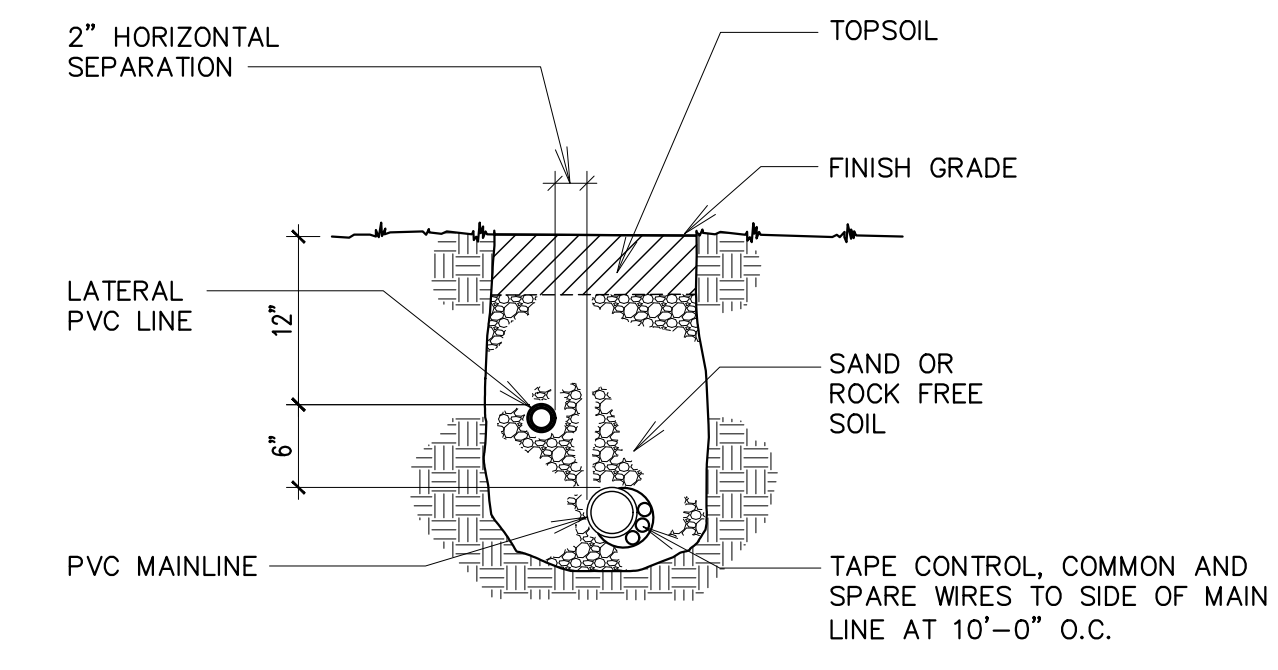
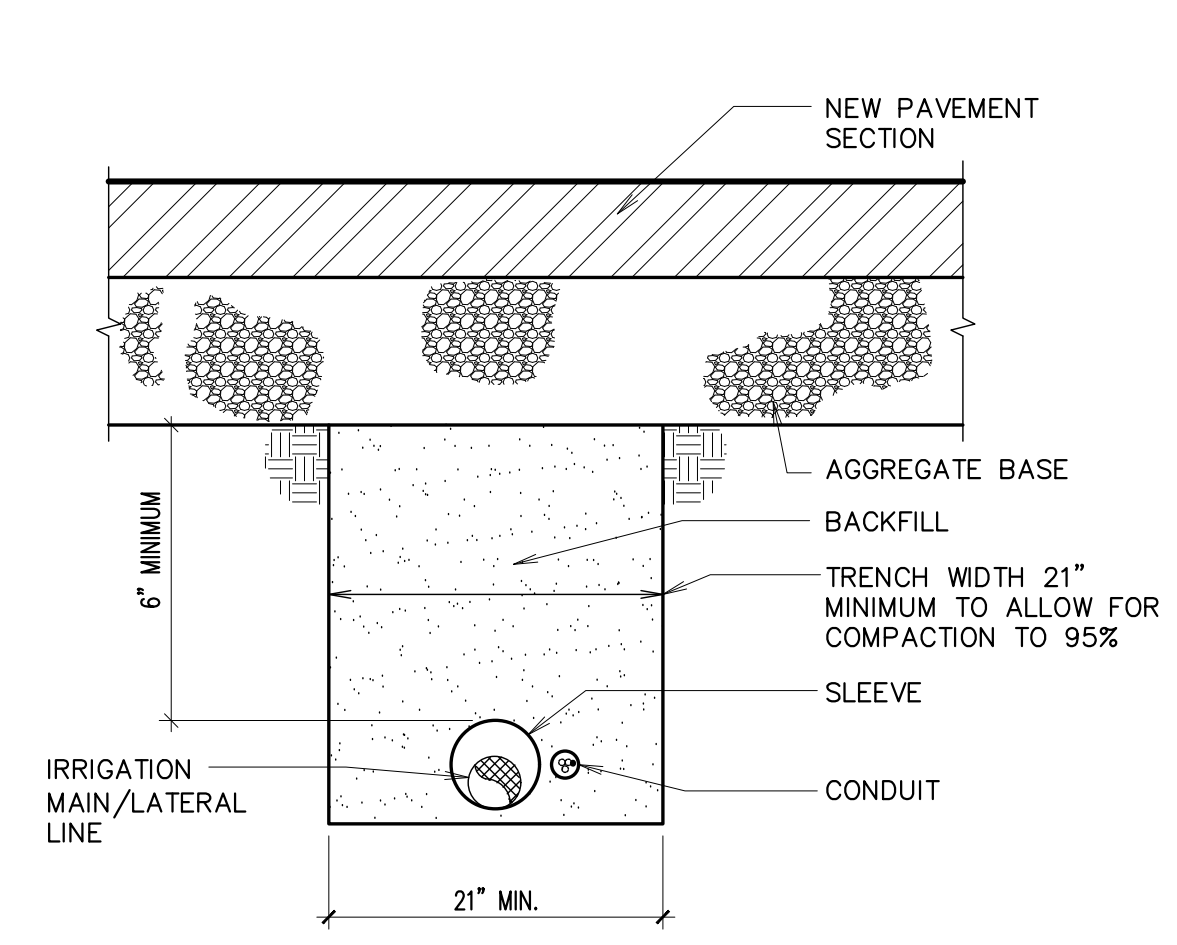


TWO-WIRE SYSTEM

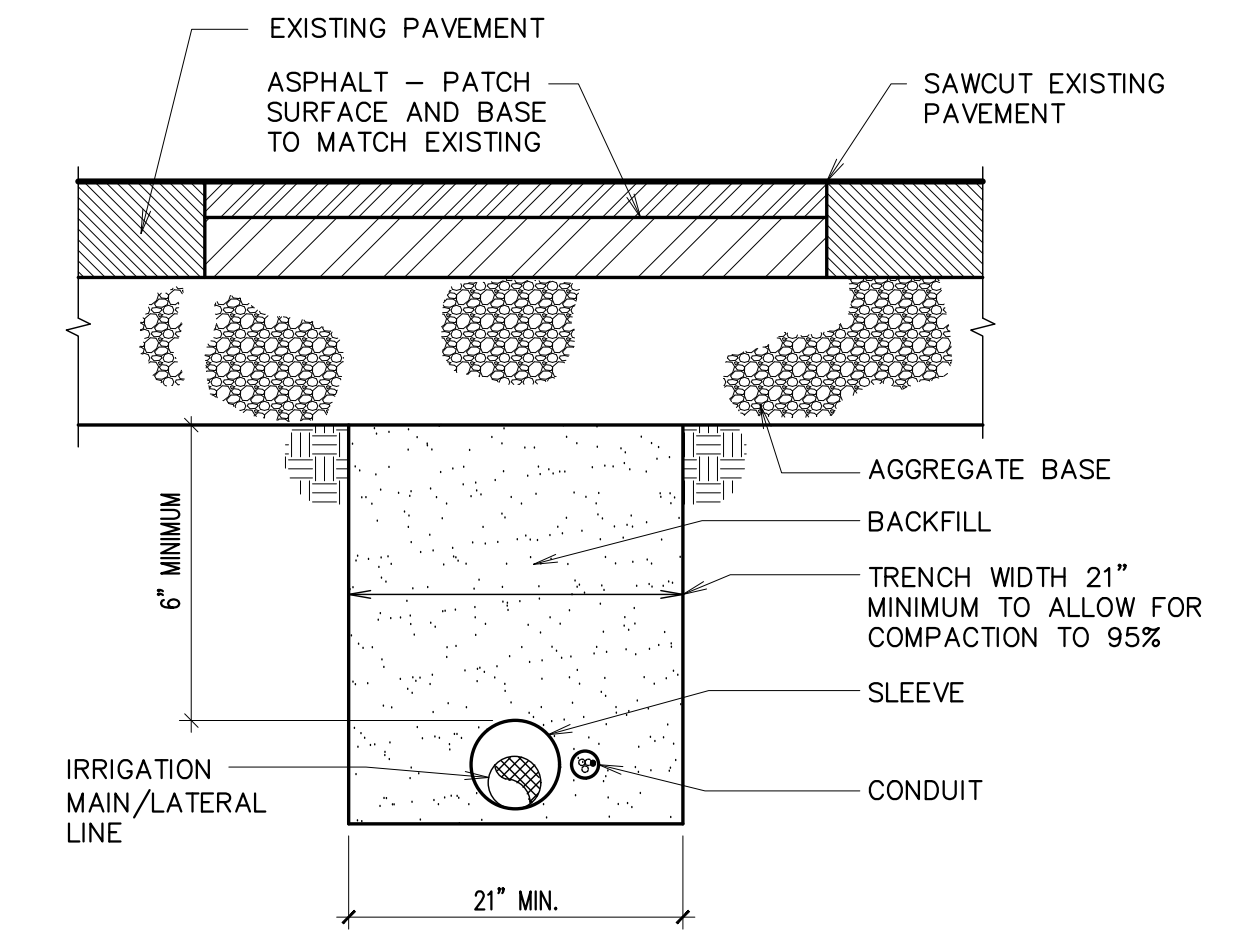


CONVENTIONAL WIRE SYSTEM

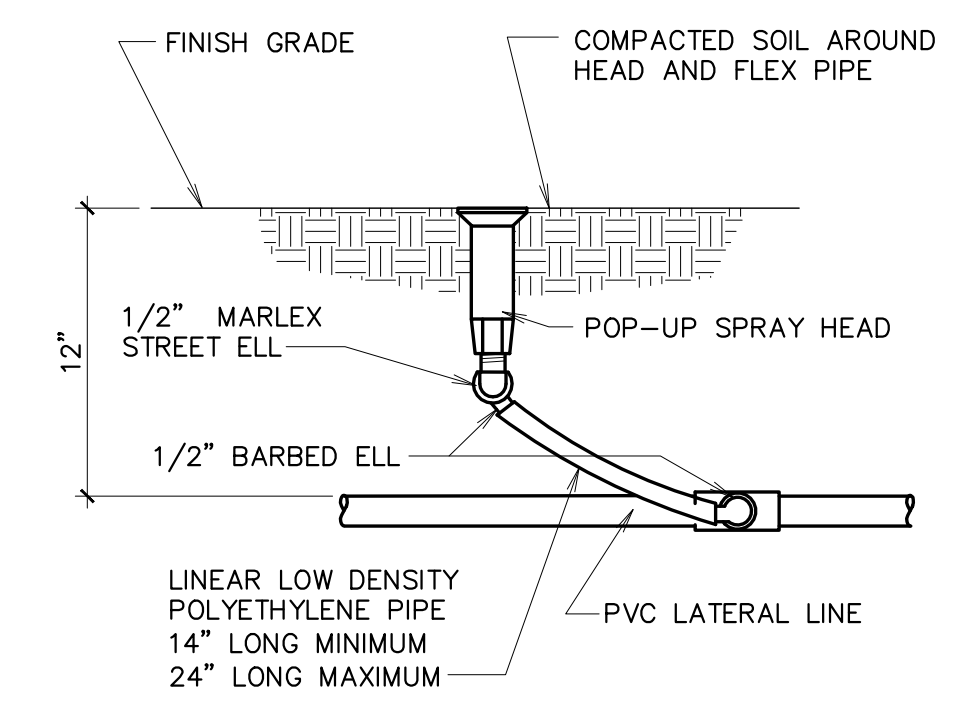
(A) TRENCH SECTION
NO SCALE



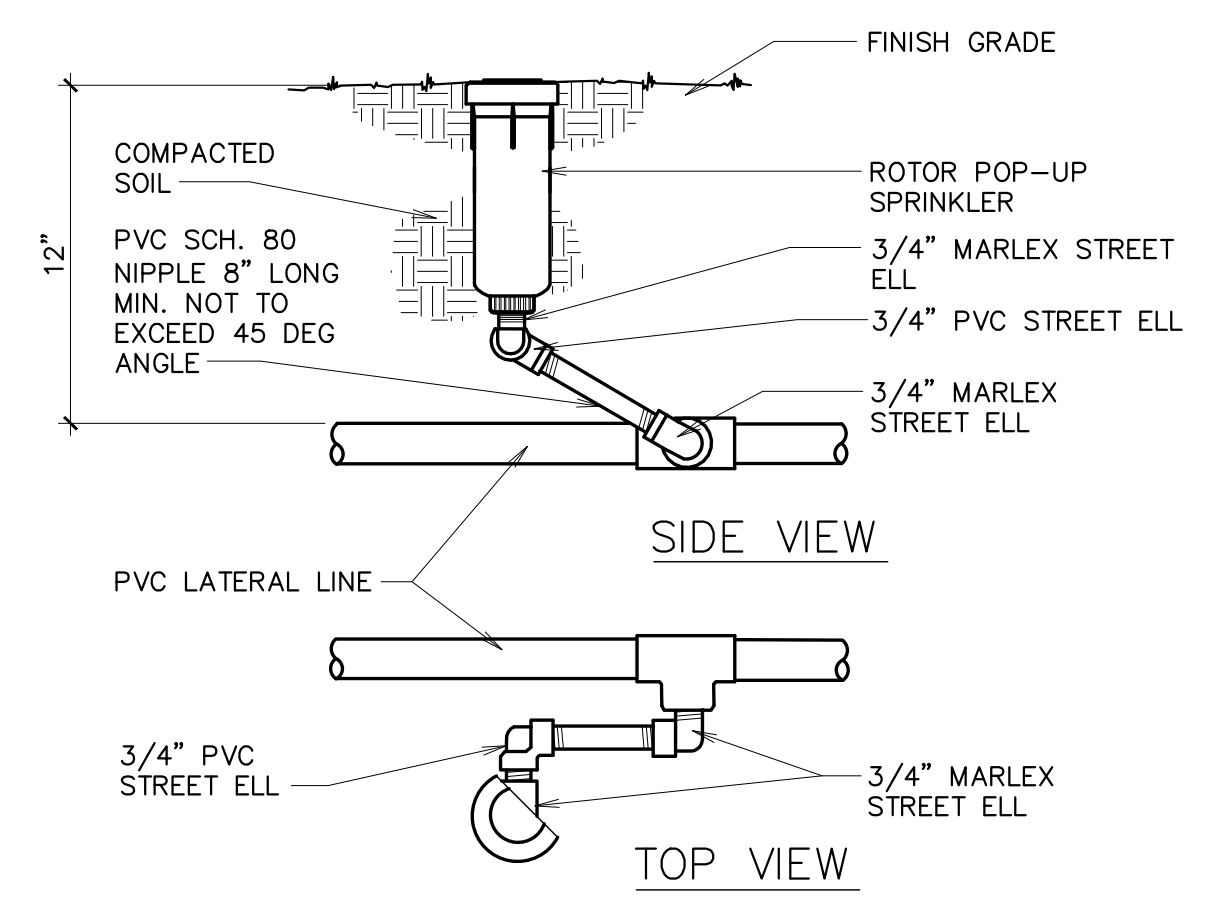
**(B) MISC. PIPE TRENCH DETAIL
NEW PAVEMENT AREAS**
NO SCALE



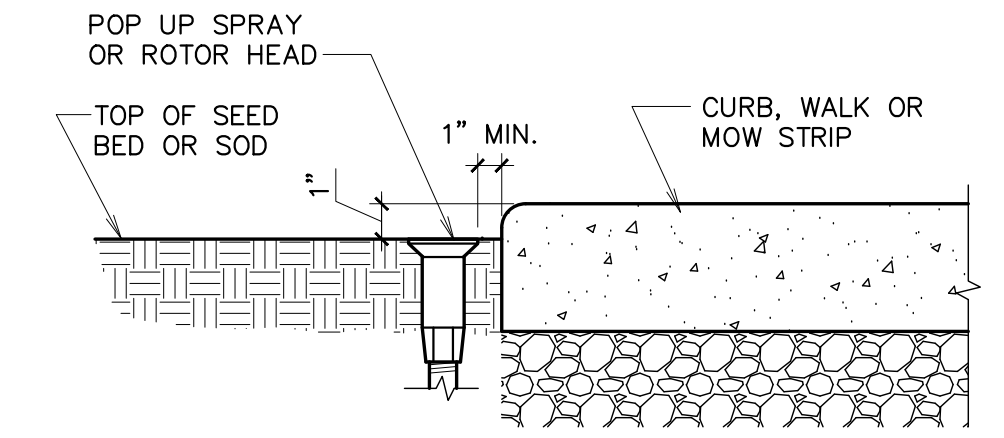
**(C) MISC. PIPE TRENCH DETAIL
EXIST. PAVEMENT AREAS**
NO SCALE



**(D) SPRAY AND ROTARY
HEAD ASSEMBLY**
NO SCALE



(E) ROTOR POP-UP HEAD
NO SCALE



**(F) SPRAY HEAD OR ROTOR
NEXT TO CURB OR WALK**
NO SCALE

Architect / Engineer:

Stamp:

Project Name

Project Address

Project for:
**THE CHURCH OF
JESUS CHRIST
OF LATTER-DAY SAINTS**

Mark	Date (mm/dd/yyyy)	Description

Project Number:

Plan Series:

Property Number:

Sheet Title:
**GENERAL
IRRIGATION
DETAILS**

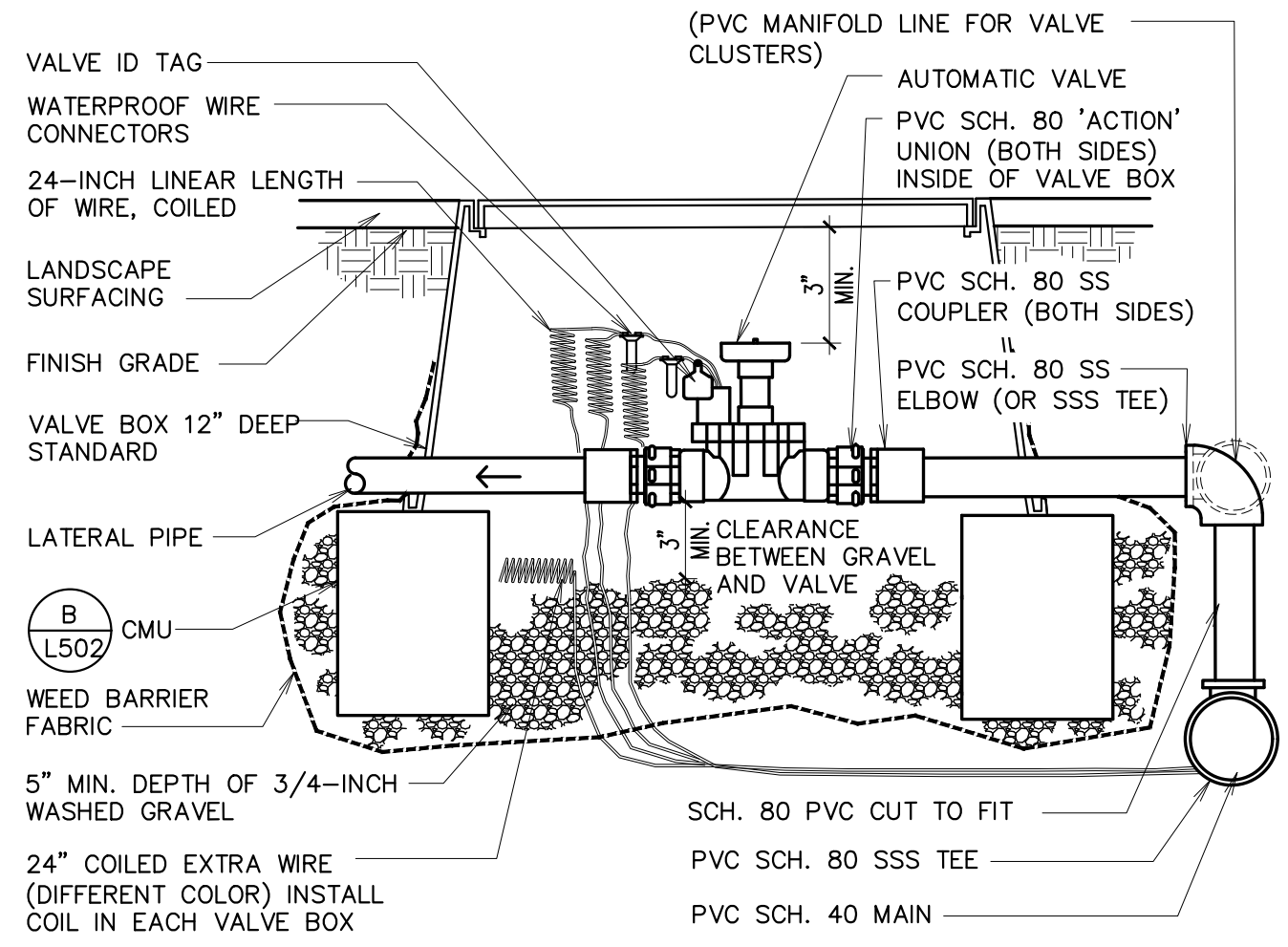
Sheet:
L501

1. SELECT DETAILS APPROPRIATE FOR ECO-REGION AND SITE. SEE AEC DESIGN GUIDELINES FOR ECO-REGION DESCRIPTIONS AND DEVELOPMENT. <https://share.ldschurch.org/sites/mfd/AEC/US%20Design%20Guidelines/Landscape%20Index.aspx>
DELETE DETAILS NOT USED.

AEC Standard Landscape Details	
Details Downloaded	(Date)
Details Edited	(Date)

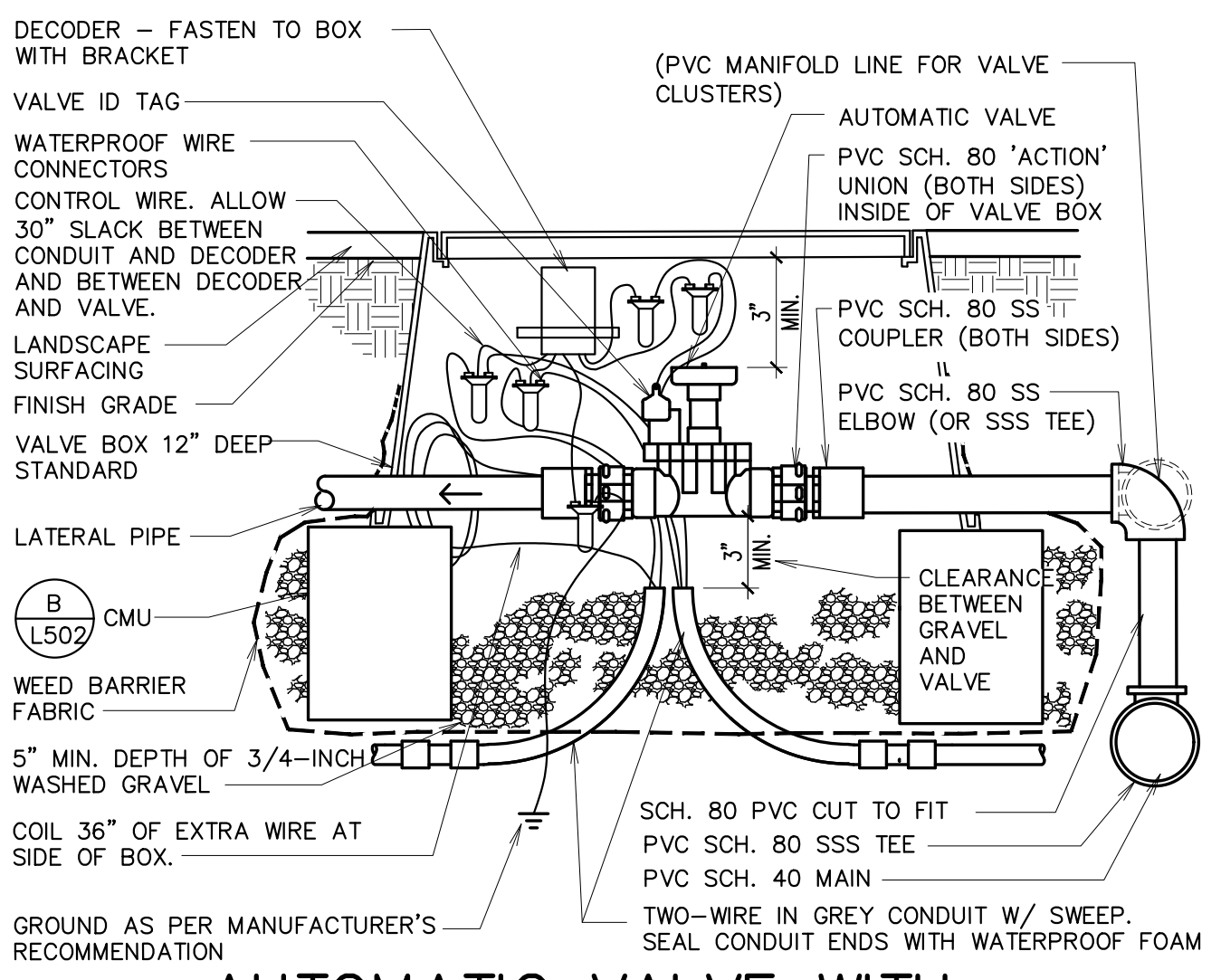
EDIT AND REMOVE CLOUD

NOTES:
1. LIMIT 1 VALVE PER BOX.
2. 10" MIN. LATERAL LINE DEPTH AT VALVE BOX, 12" MIN. LATERAL LINE DEPTH EVERYWHERE ELSE.
3. PROVIDE MIN. 2" CLEARANCE BETWEEN WIRE AND CMU BLOCK.



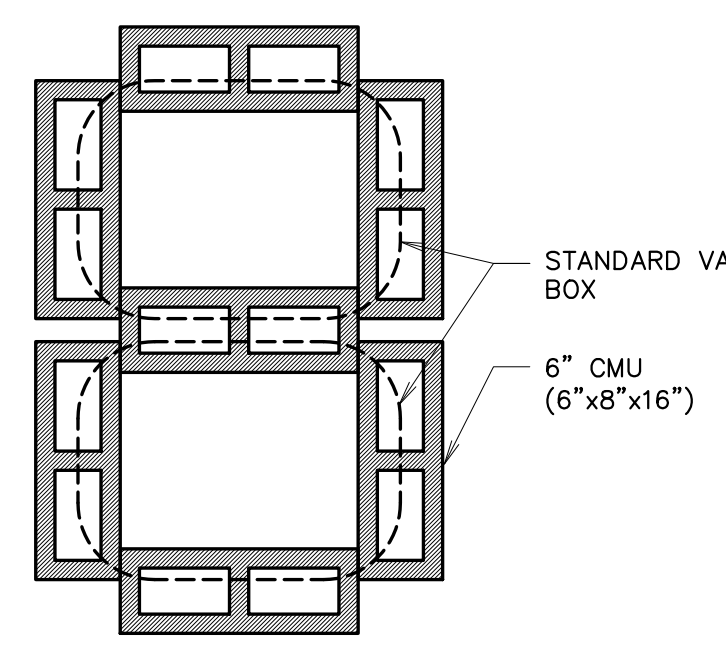
A AUTOMATIC VALVE WITH CONVENTIONAL WIRE SYSTEM
NO SCALE

NOTES:
1. LIMIT 1 VALVE PER BOX.
2. 10" MIN. LATERAL LINE DEPTH AT VALVE BOX, 12" MIN. LATERAL LINE DEPTH EVERYWHERE ELSE.
3. PROVIDE MIN. 2" CLEARANCE BETWEEN CONDUIT AND CMU BLOCK.

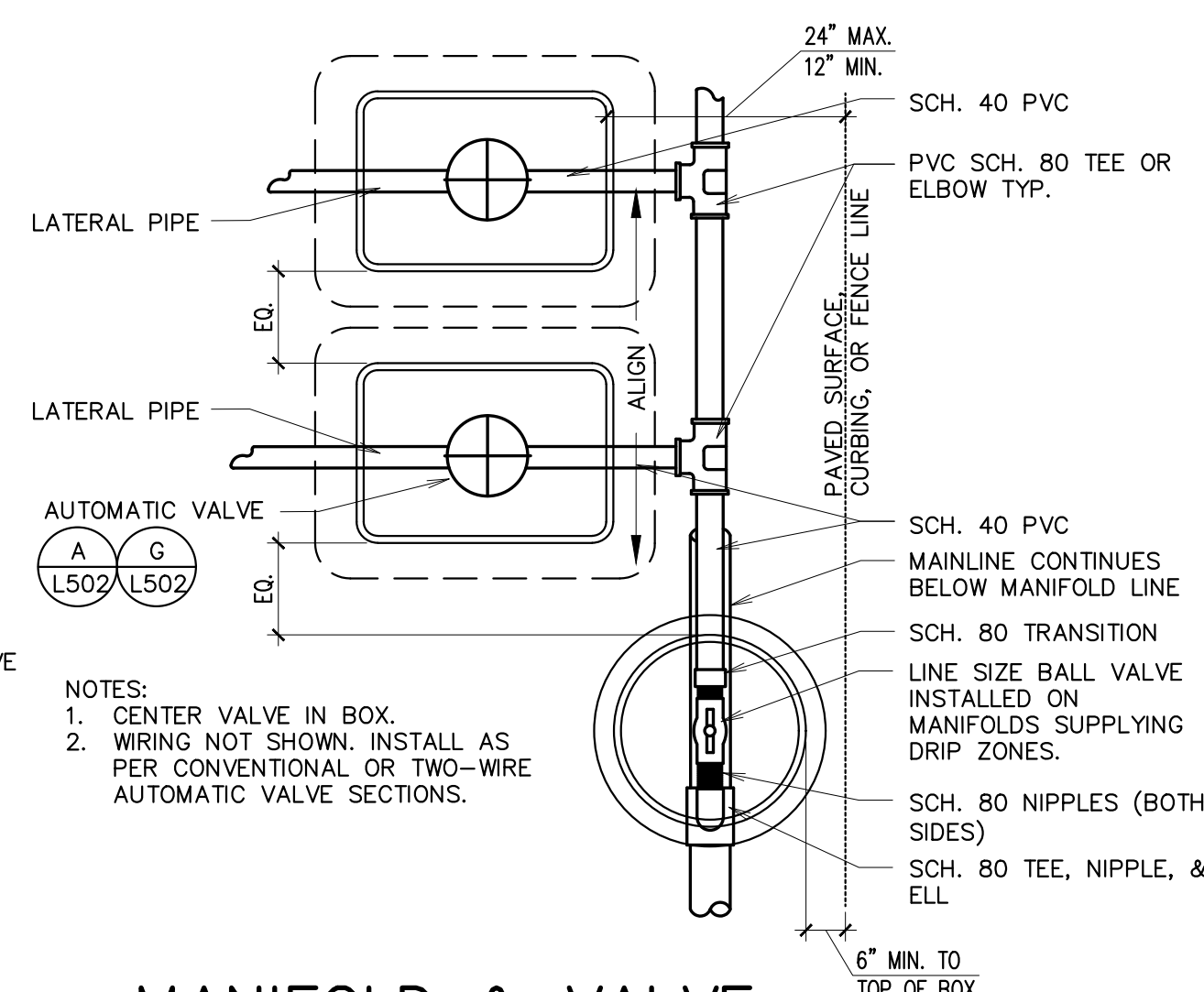


A AUTOMATIC VALVE WITH TWO-WIRE SYSTEM
NO SCALE

NOTES:
1. VALVE BOX TO REST ON (4) CMU BLOCKS (ONE FOR EACH SIDE).
2. CLUSTERED VALVE BOXES MAY SHARE A CMU BLOCK.

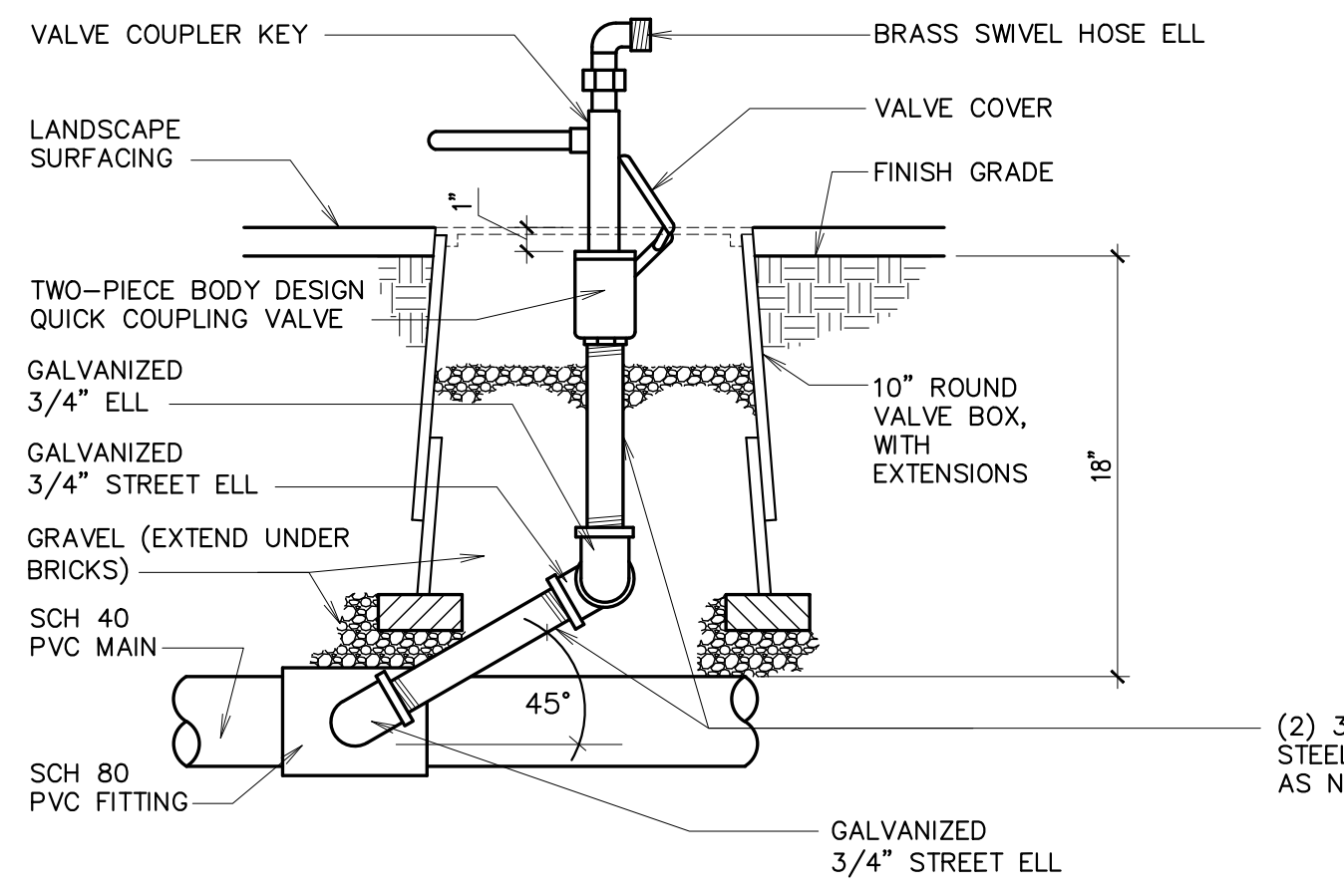


B CMU PLACEMENT
NO SCALE

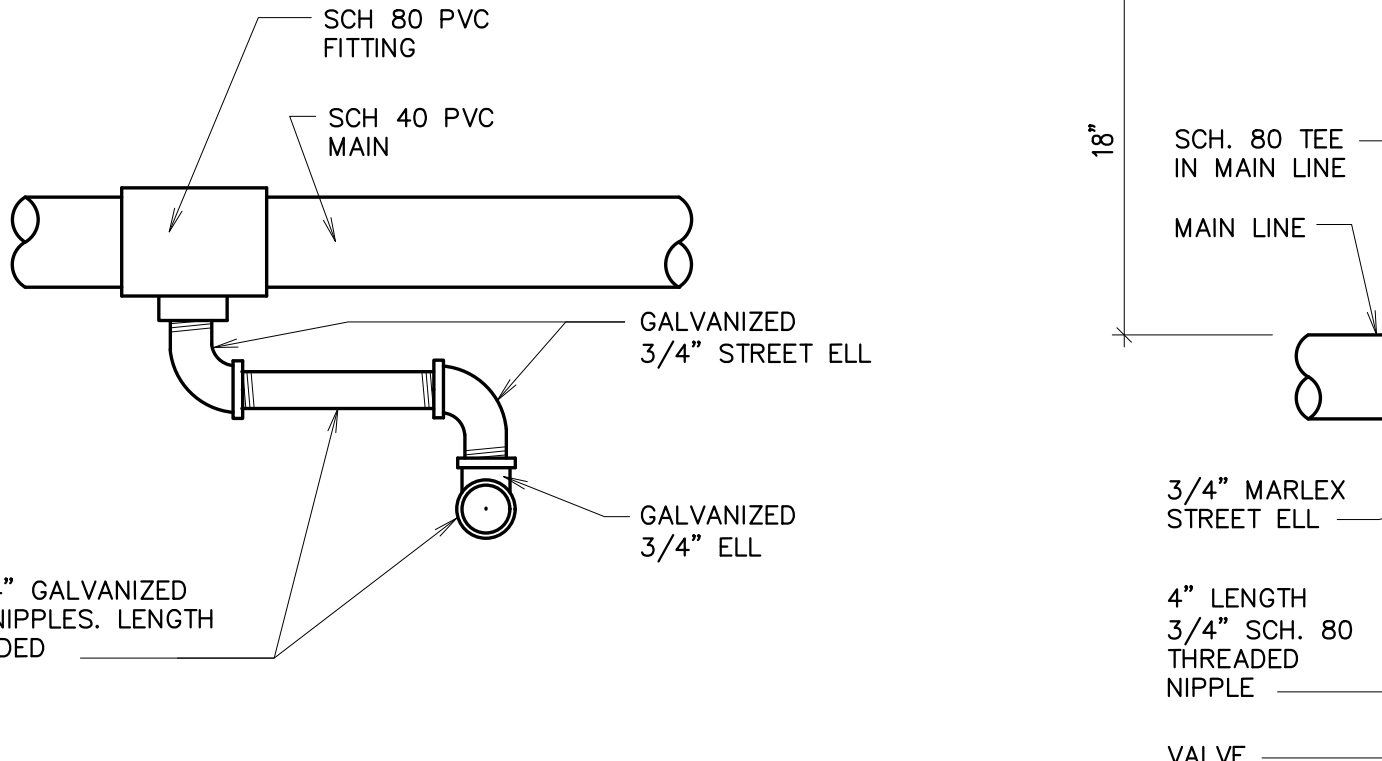


C MANIFOLD & VALVE ASSEMBLY
NO SCALE

USE AT VALVE CLUSTERS

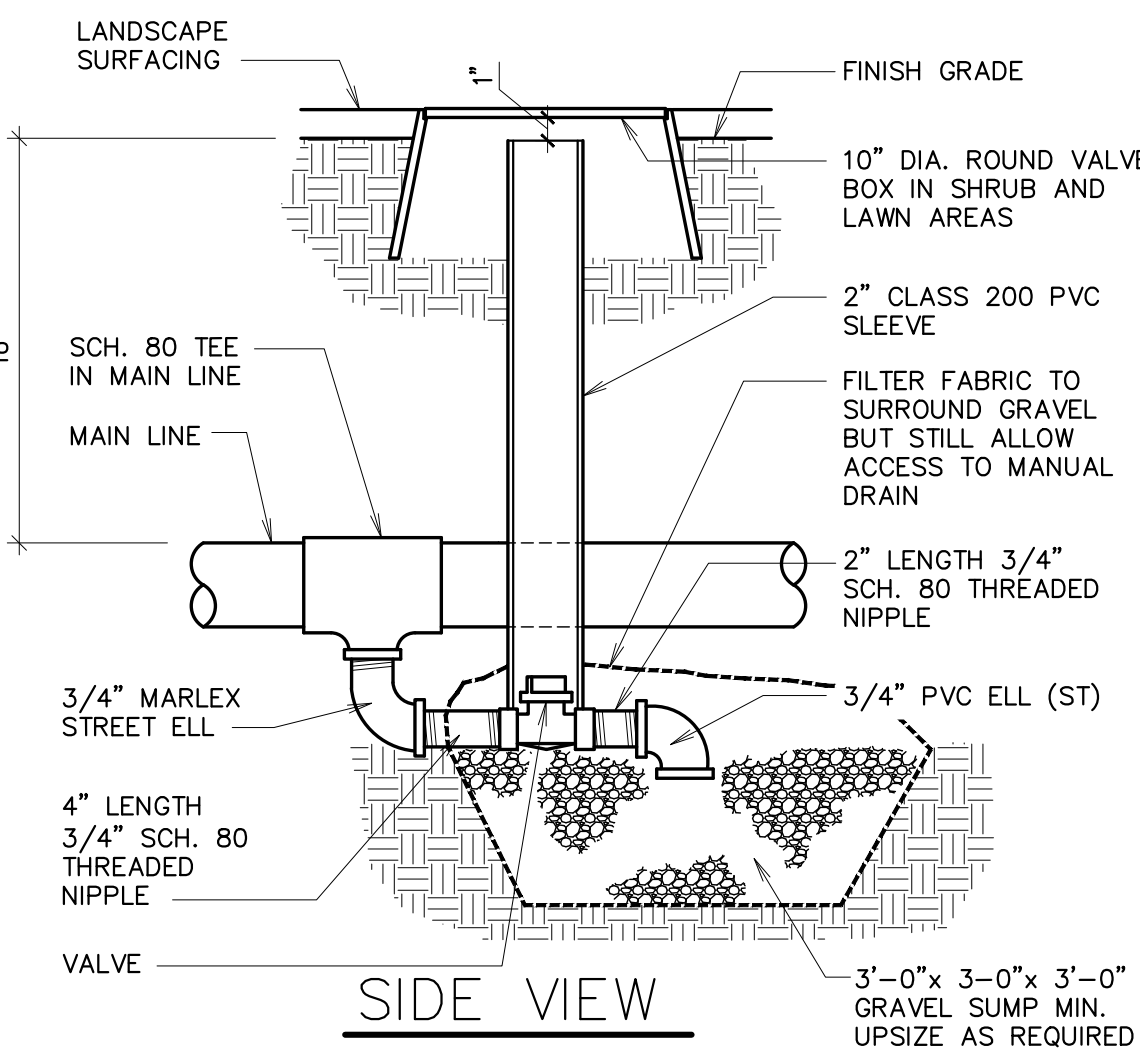


SIDE VIEW

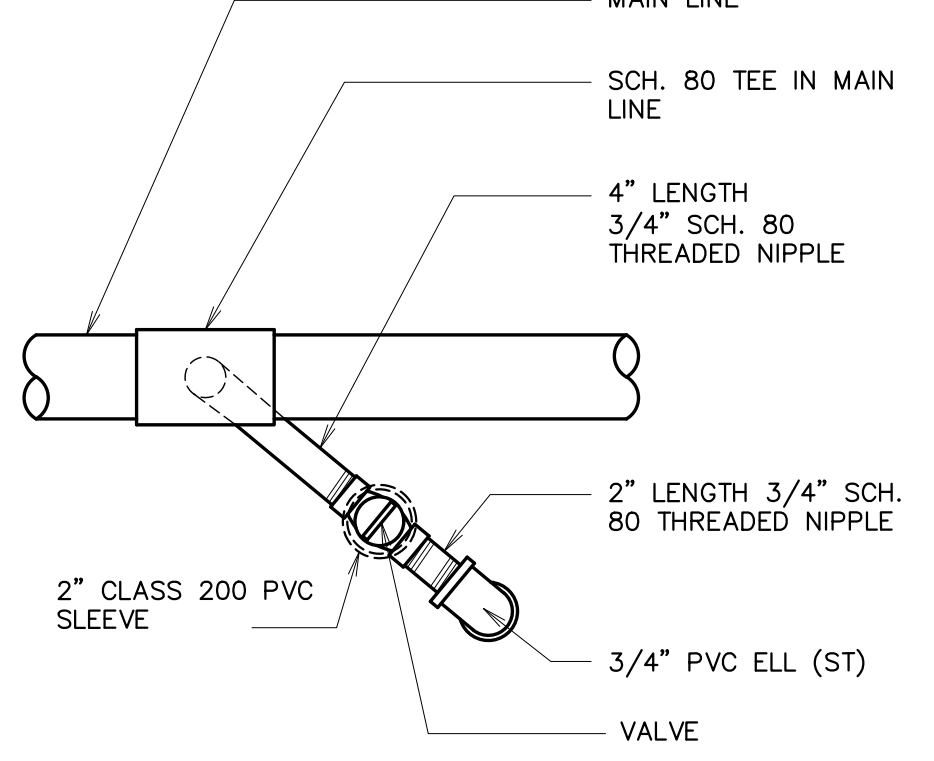


TOP VIEW

D QUICK COUPLING VALVE
NO SCALE



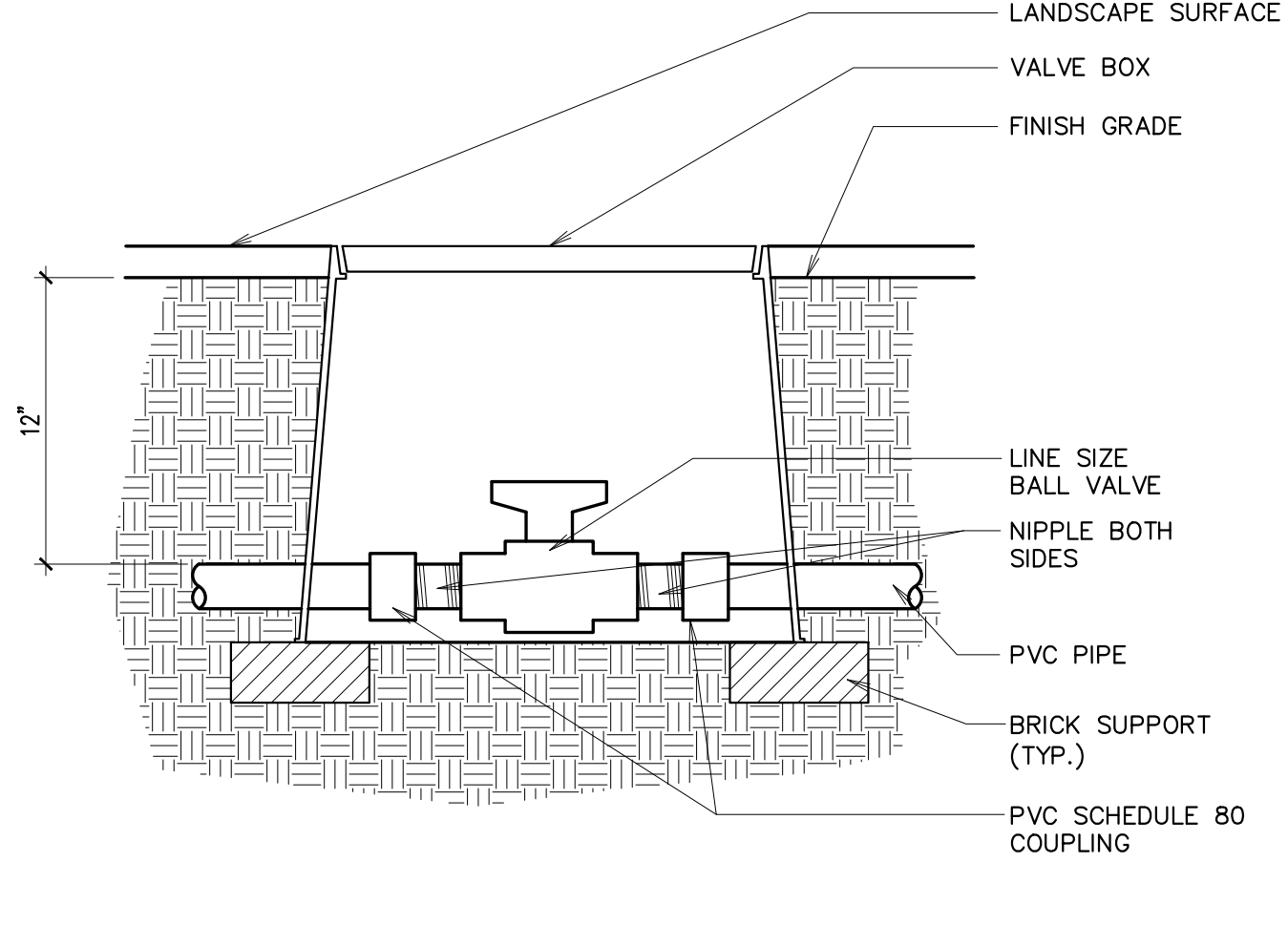
SIDE VIEW



TOP VIEW

E MAIN LINE MANUAL DRAIN VALVE
NO SCALE

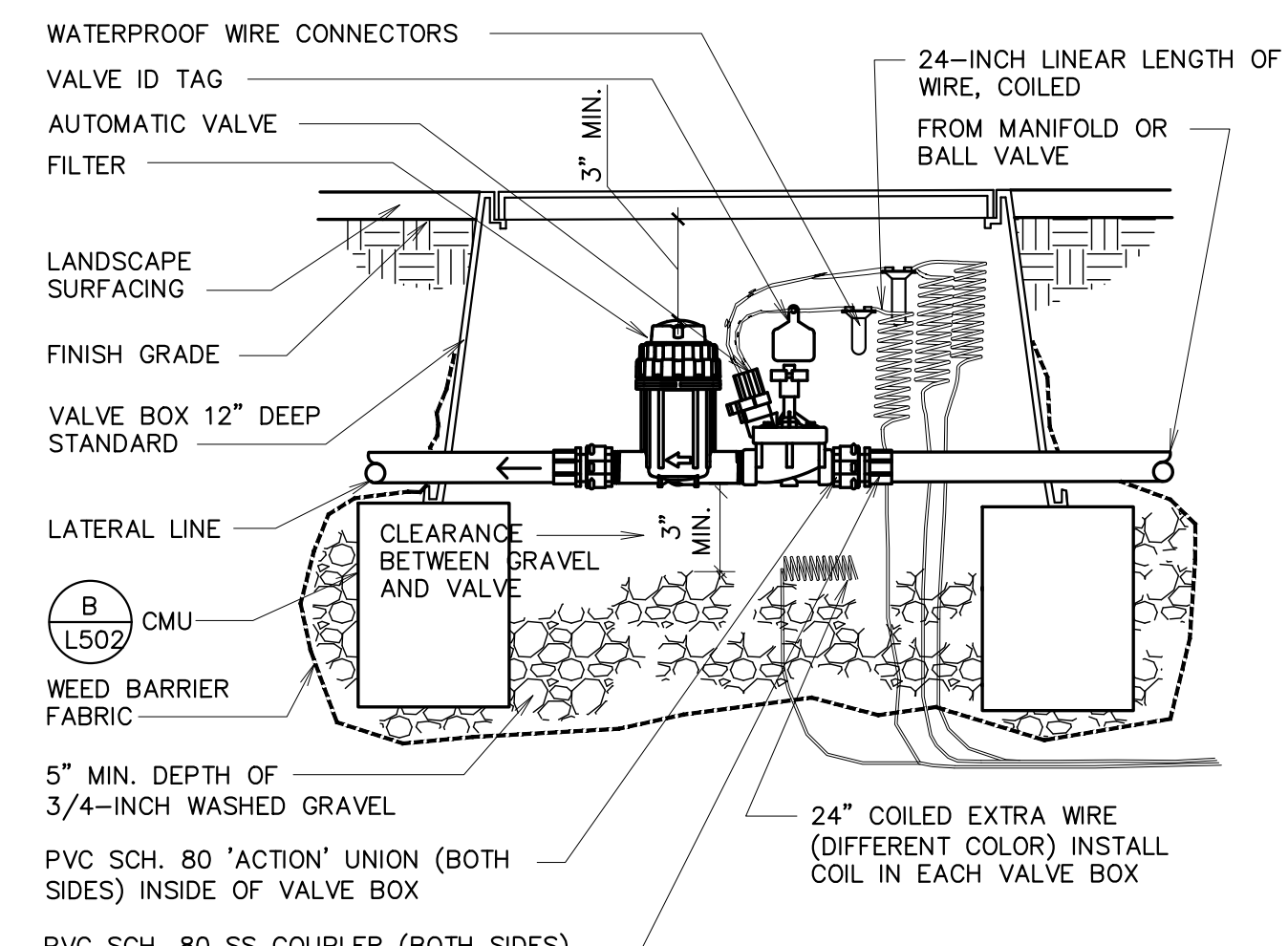
USE ON MAINLINE AS DESCRIBED IN SPECIFICATIONS



SIDE VIEW

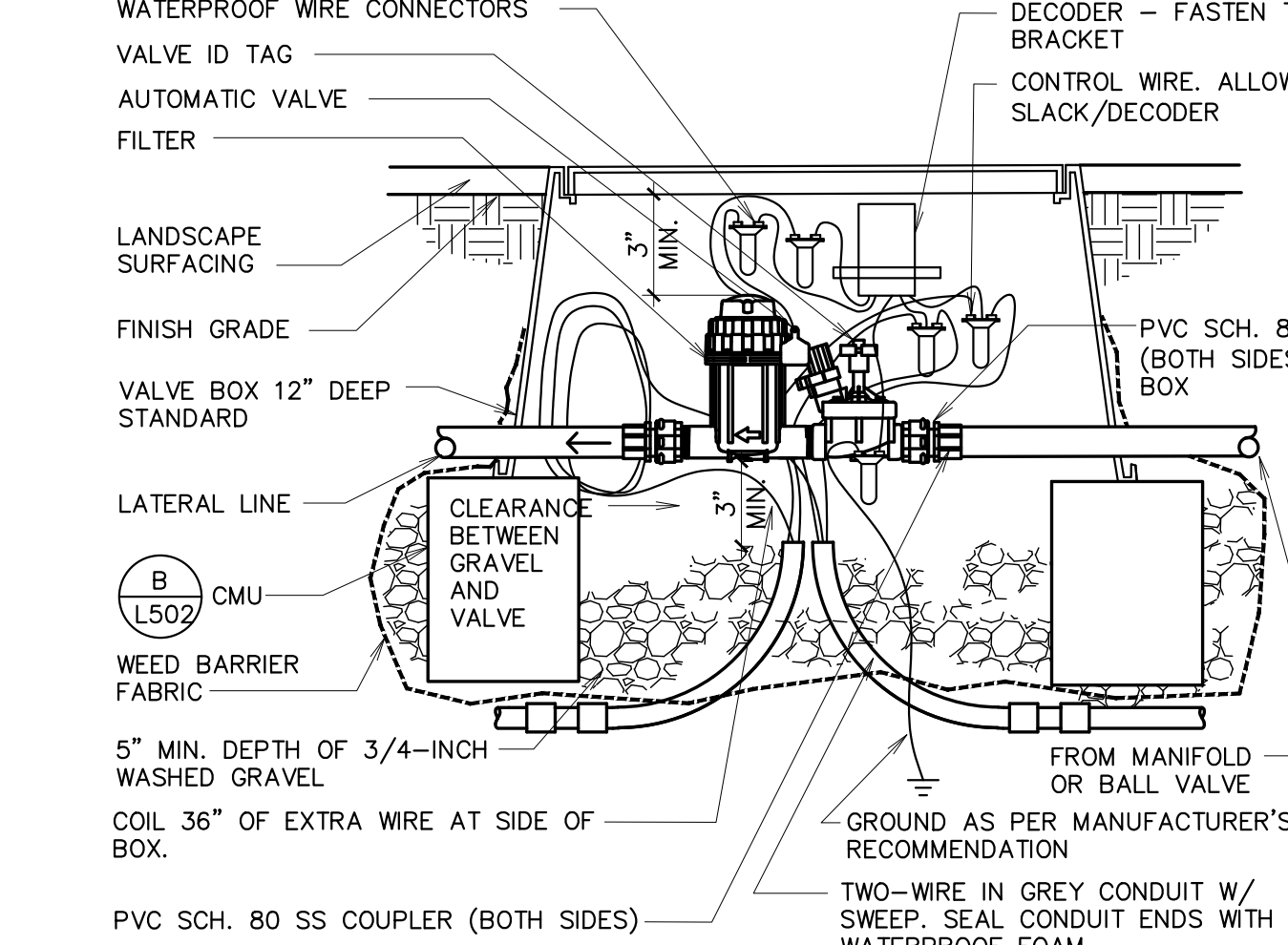
F ISOLATION VALVE
NO SCALE

NOTES:
1. LIMIT 1 VALVE PER BOX.
2. 10" MIN. LATERAL LINE DEPTH AT VALVE BOX, 12" MIN. LATERAL LINE DEPTH EVERYWHERE ELSE.
3. PROVIDE MIN. 2" CLEARANCE BETWEEN WIRE AND CMU BLOCK.



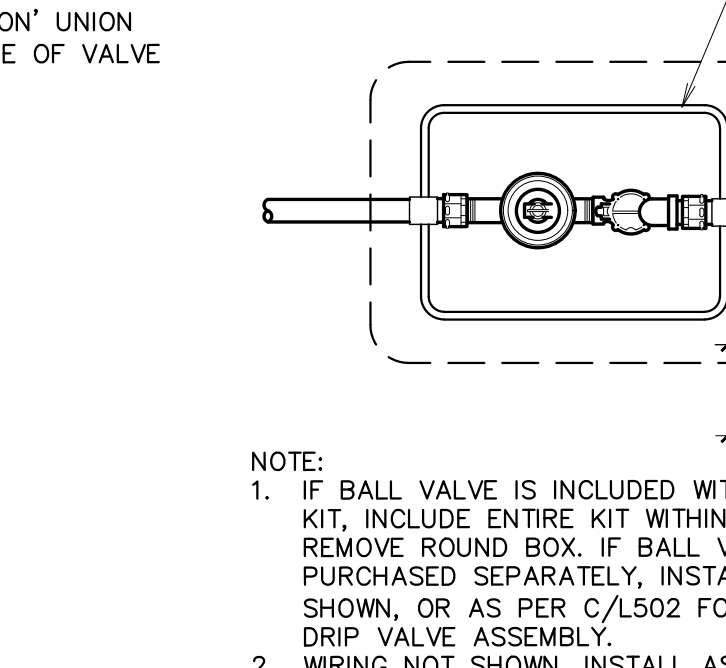
G DRIP VALVE ASSEMBLY-SECTION CONVENTIONAL WIRE SYSTEM
NO SCALE

NOTES:
1. LIMIT 1 VALVE PER BOX.
2. 10" MIN. LATERAL LINE DEPTH AT VALVE BOX, 12" MIN. LATERAL LINE DEPTH EVERYWHERE ELSE.
3. PROVIDE MIN. 2" CLEARANCE BETWEEN CONDUIT AND CMU BLOCK.



G DRIP VALVE ASSEMBLY-SECTION TWO WIRE SYSTEM
NO SCALE

NOTES:
1. IF BALL VALVE IS INCLUDED WITH DRIP ZONE KIT, INCLUDE ENTIRE KIT WITHIN ONE BOX. REMOVE ROUND BOX. IF BALL VALVE IS PURCHASED SEPARATELY, INSTALL AS SHOWN, OR AS PER C/L502 FOR MULTIPLE DRIP VALVE ASSEMBLY.
2. WIRING NOT SHOWN. INSTALL AS PER CONVENTIONAL OR TWO-WIRE AUTOMATIC VALVE SECTIONS.



H DRIP VALVE ASSEMBLY
NO SCALE

Project Name

Project Address

Project for:

THE CHURCH OF JESUS CHRIST OF LATTER-DAY SAINTS

Project Number:

Plan Series:

Property Number:

Sheet Title:
IRRIGATION VALVE DETAILS

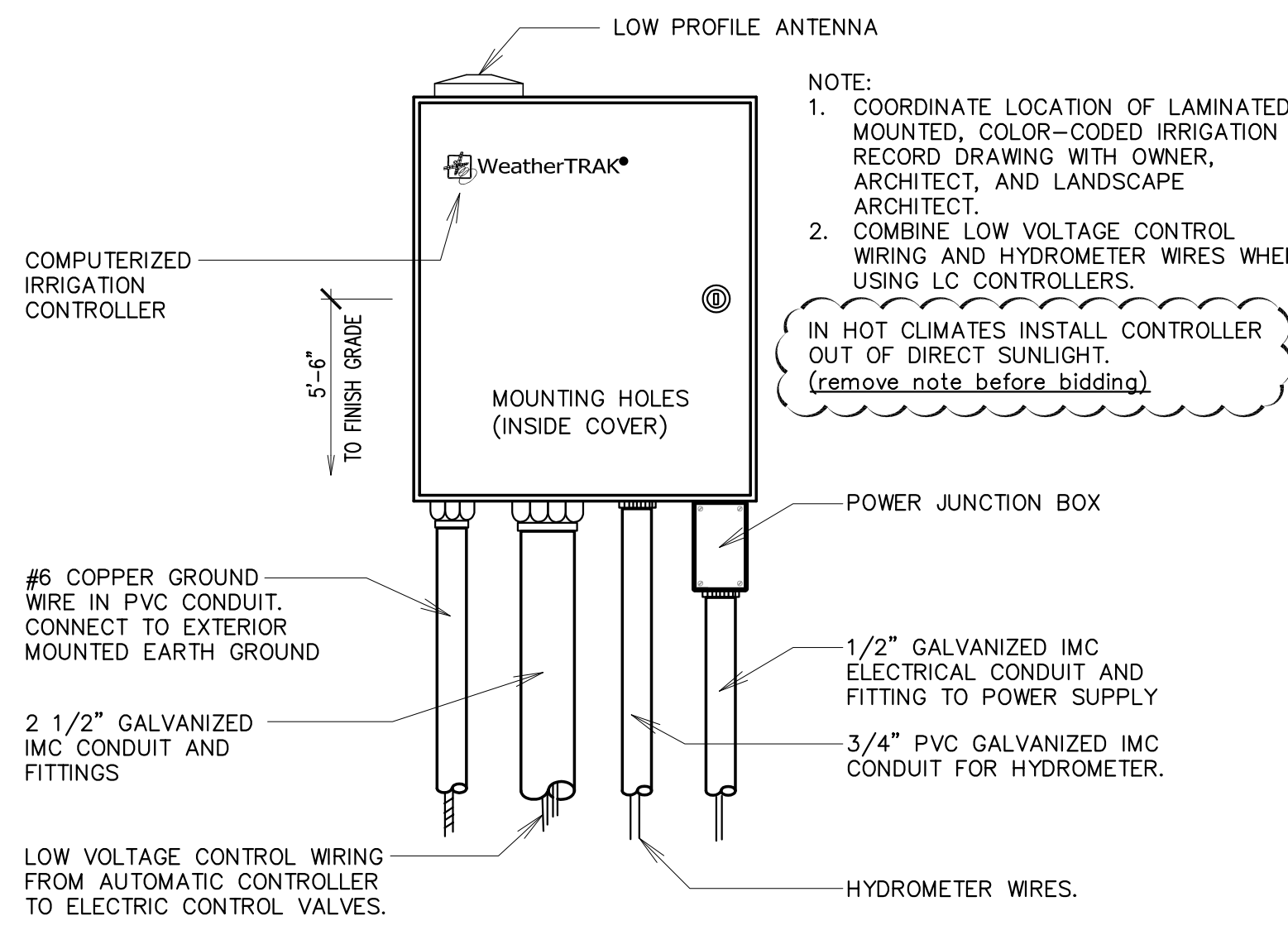
Sheet:

L502

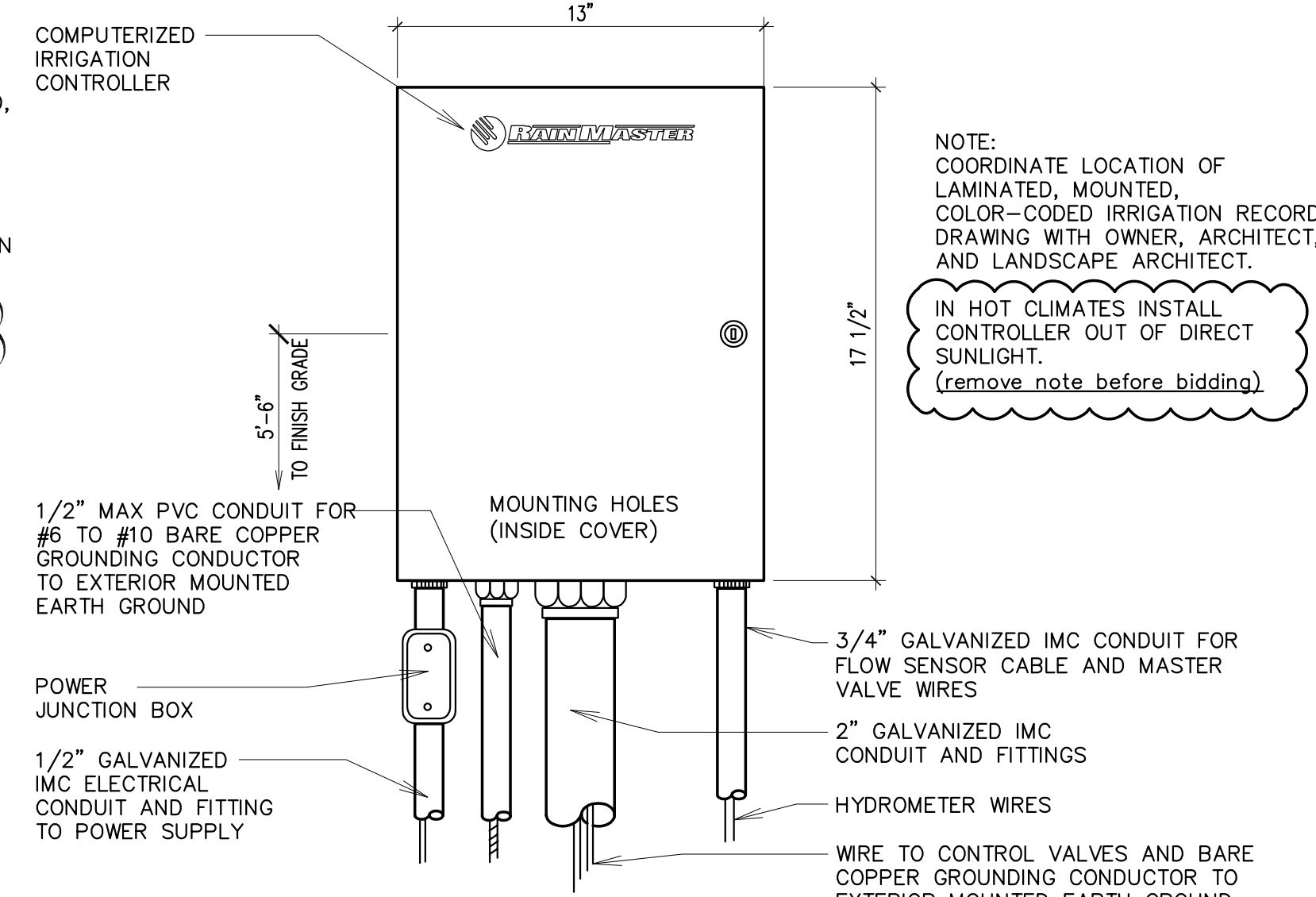
1. SELECT DETAILS APPROPRIATE FOR ECO-REGION AND SITE. SEE AEC DESIGN GUIDELINES FOR ECO-REGION DESCRIPTIONS AND DEVELOPMENT.
2. SELECT APPROPRIATE AUTOMATIC VALVE OPTION.
3. DELETE DETAILS NOT USED.
(Remove these notes before bidding)
<https://share.landscape.org/sites/mfd/AEC/US%20Design%20Guidelines/Landscape%20Index.aspx>

EDIT AND REMOVE CLOUD

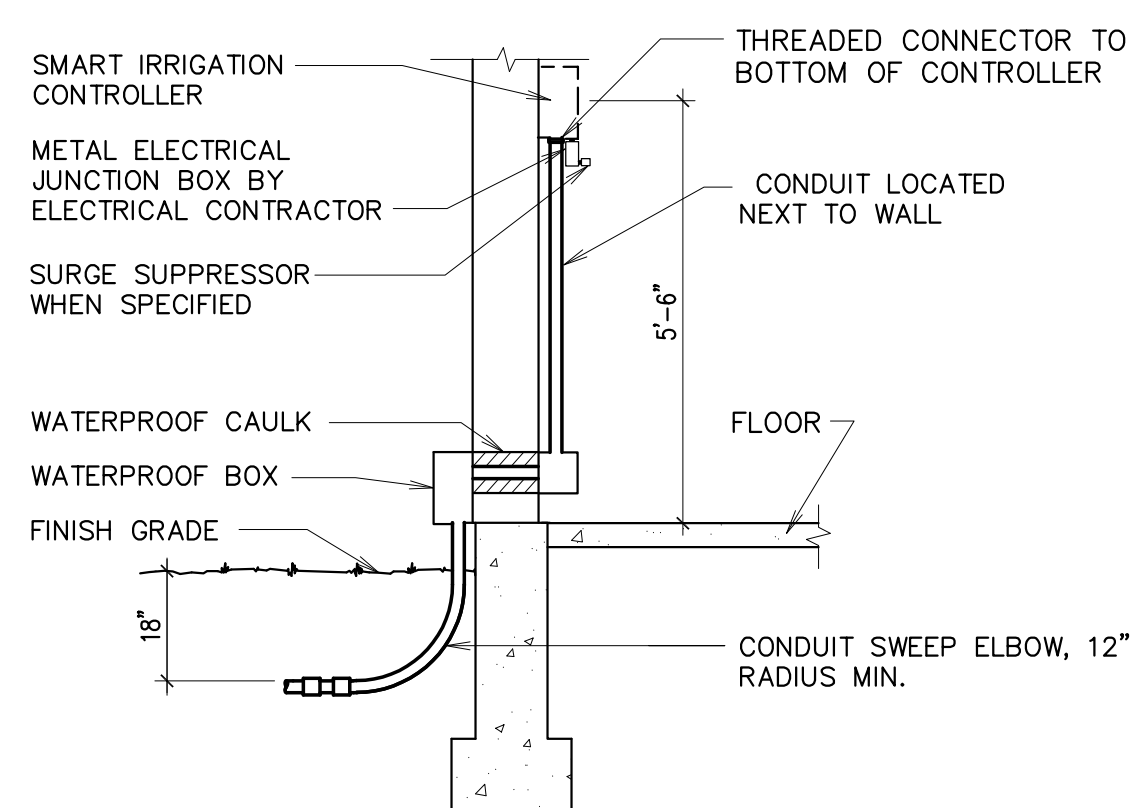
AEC Standard Landscape Details	(Date)
Details Downloaded	(Date)
Details Edited	(Date)



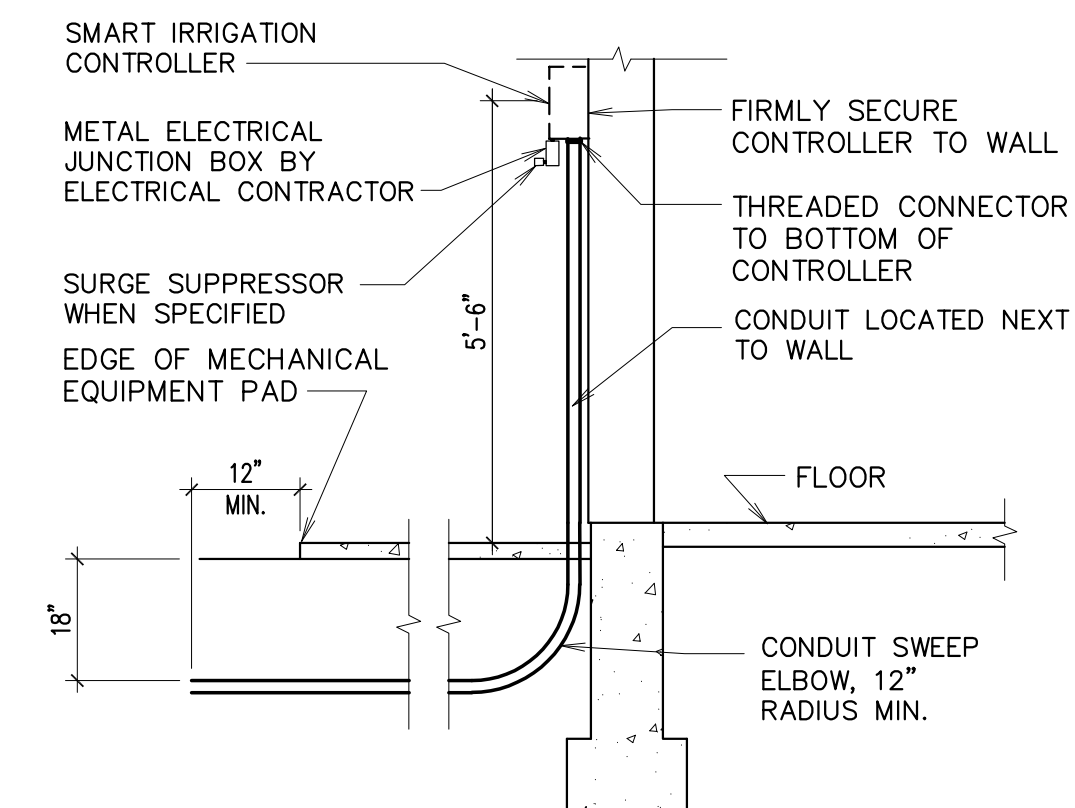
A SMART CONTROLLER
NO SCALE Option A



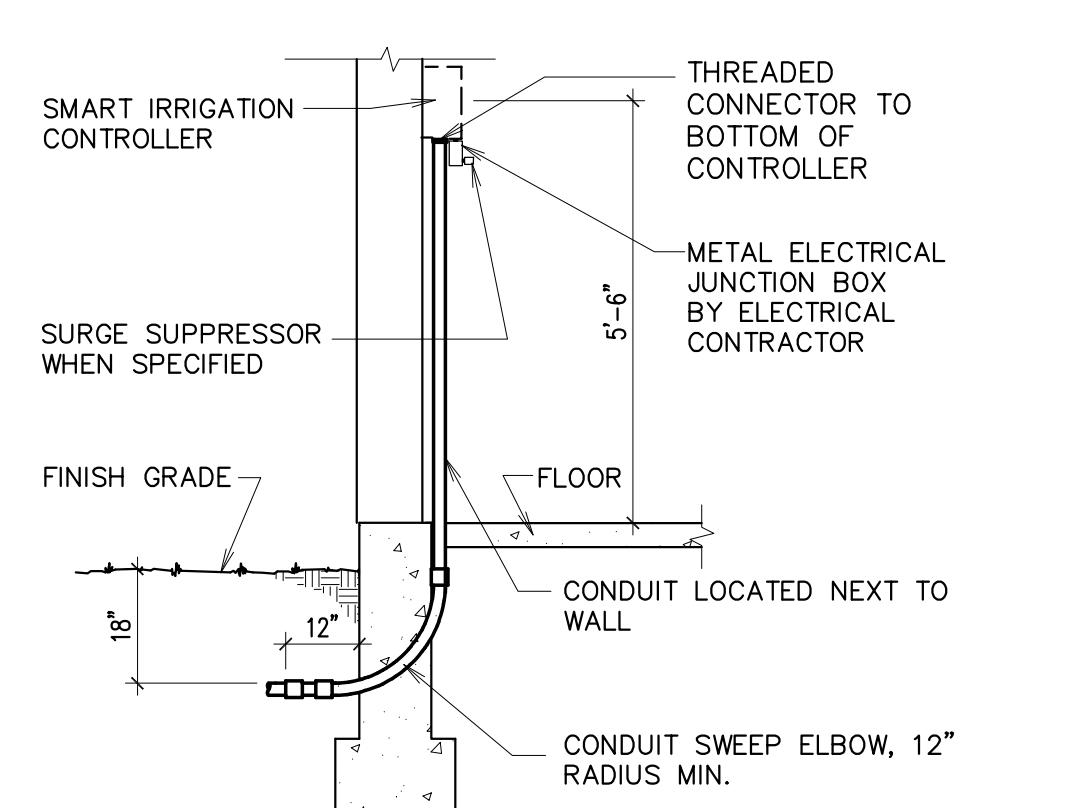
A SMART CONTROLLER
NO SCALE Option B



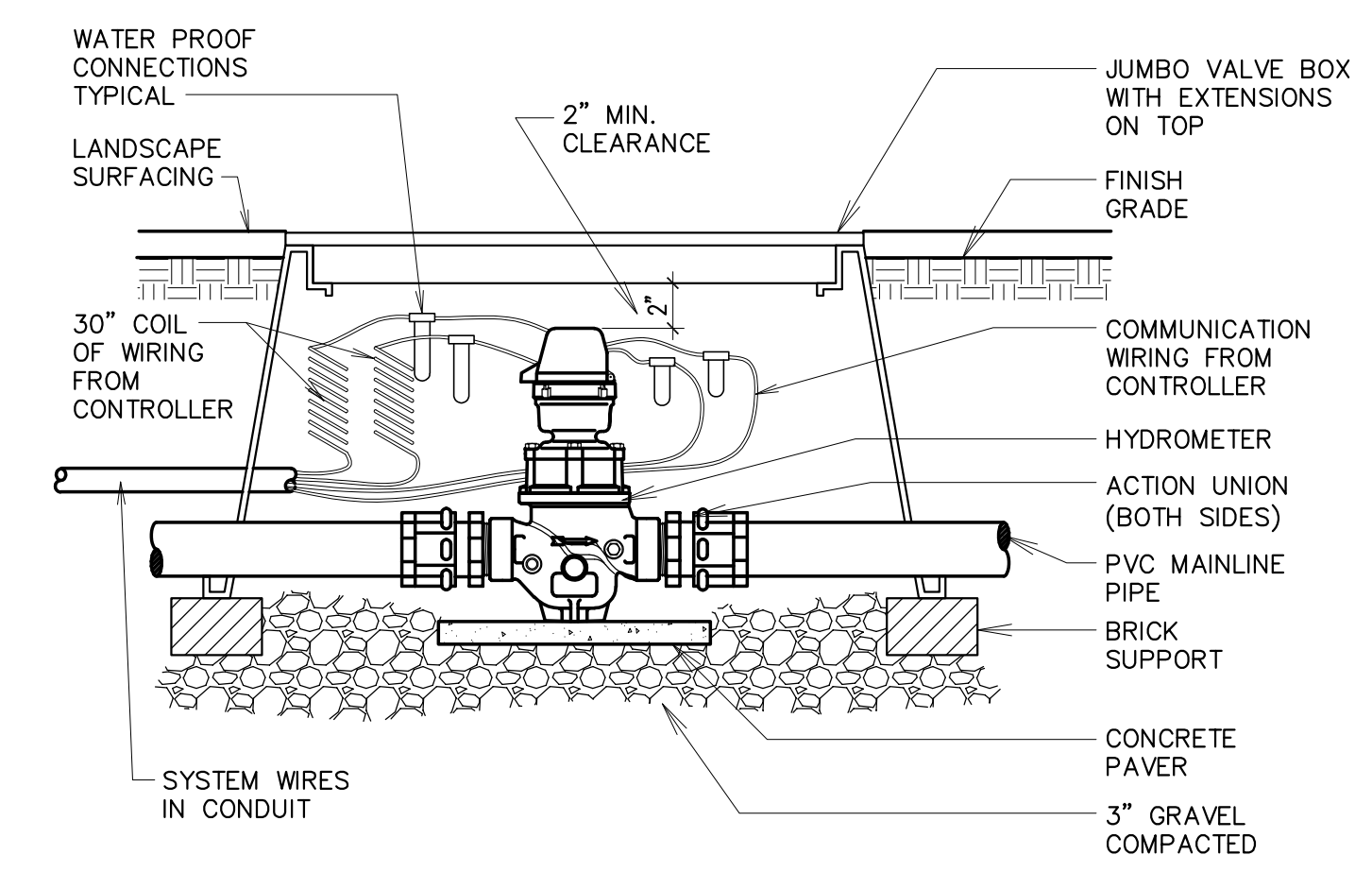
B IRRIGATION CONTROLLER
NO SCALE (Existing construction Mount)



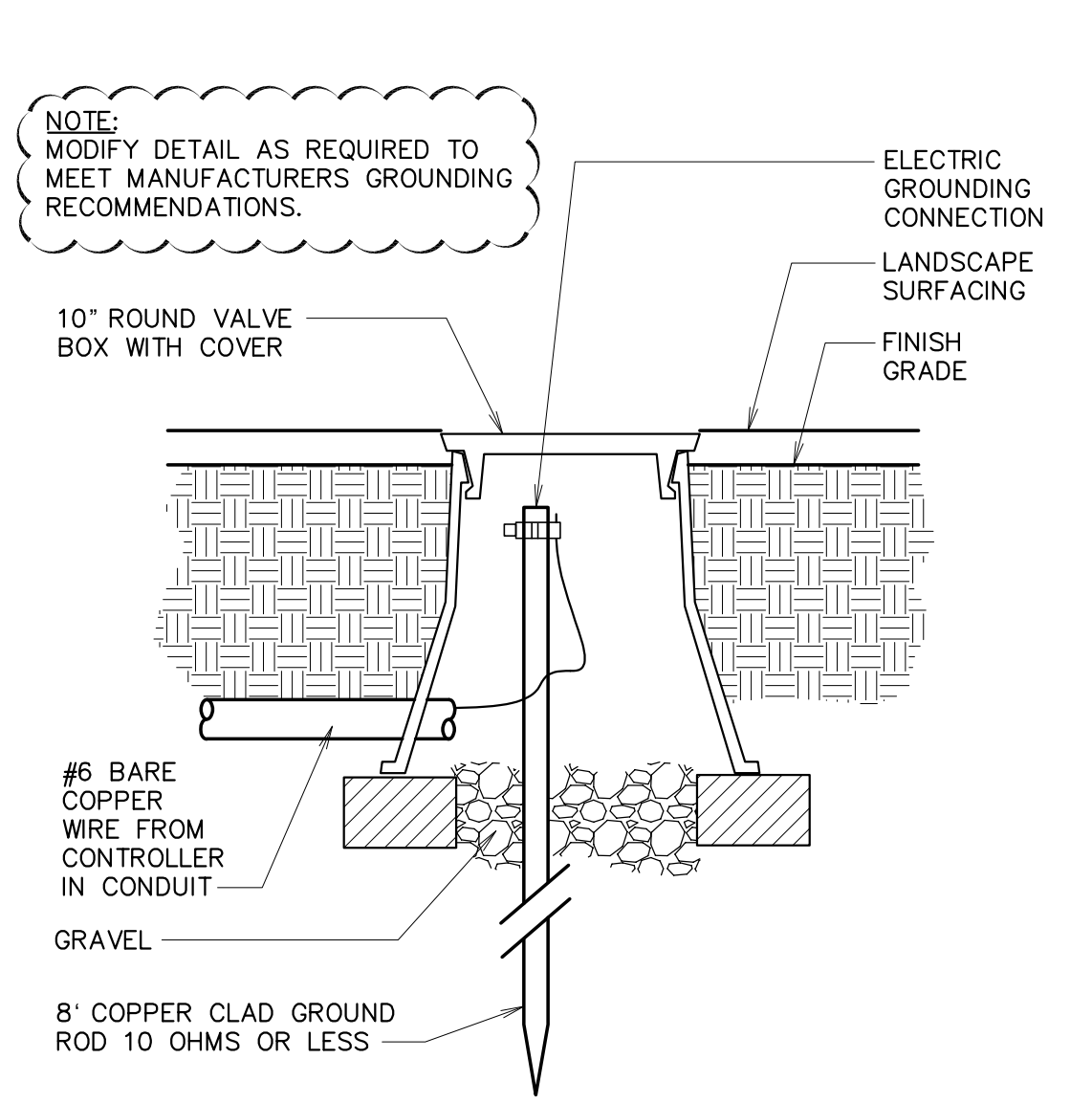
B IRRIGATION CONTROLLER
NO SCALE (Exterior Mount)



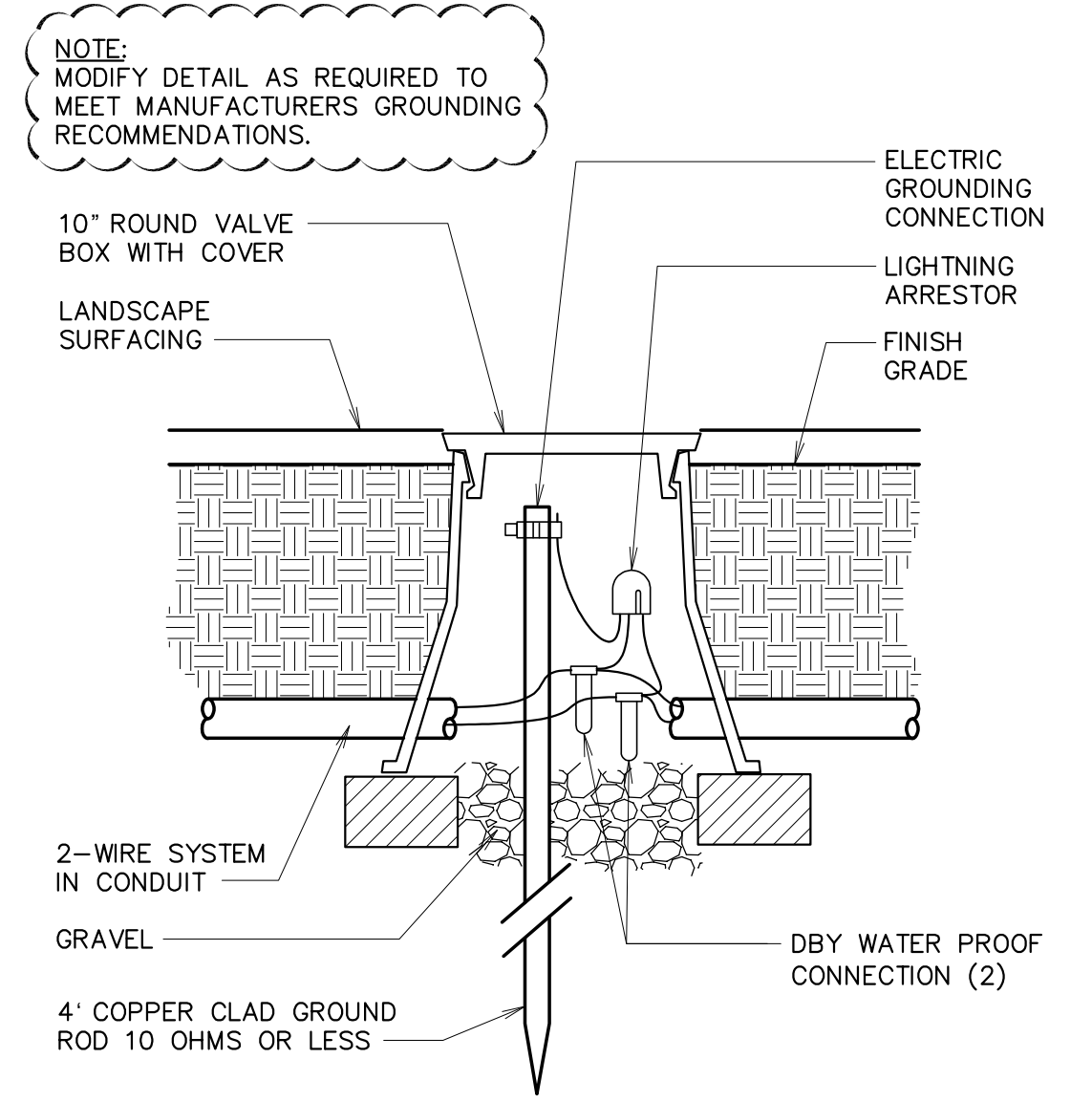
B IRRIGATION CONTROLLER
NO SCALE (Existing construction Mount)



C HYDROMETER
NO SCALE



D LIGHTNING GROUNDING ROD
NO SCALE



E LIGHTNING ARRESTOR
NO SCALE (TWO-WIRE SYSTEM)

1. SELECT DETAILS APPROPRIATE FOR ECO-REGION AND SITE. SEE AEC DESIGN GUIDELINES FOR ECO-REGION DESCRIPTIONS AND DEVELOPMENT. <https://share.ldschurch.org/sites/mtd/AEC/US%20Design%20Guidelines/Landscape%20Index.aspx>
2. SELECT MOUNTING OPTION (B) AND SMART CONTROLLER (A).
3. DELETE DETAILS NOT USED.
(Remove this note before bidding)

EDIT AND REMOVE CLOUD

AEC Standard Landscape Details	
Details Downloaded	(Date)
Details Edited	(Date)

Project Name

Project Address

Project for:

THE CHURCH OF JESUS CHRIST OF LATTER-DAY SAINTS

Project Number:

Plan Series:

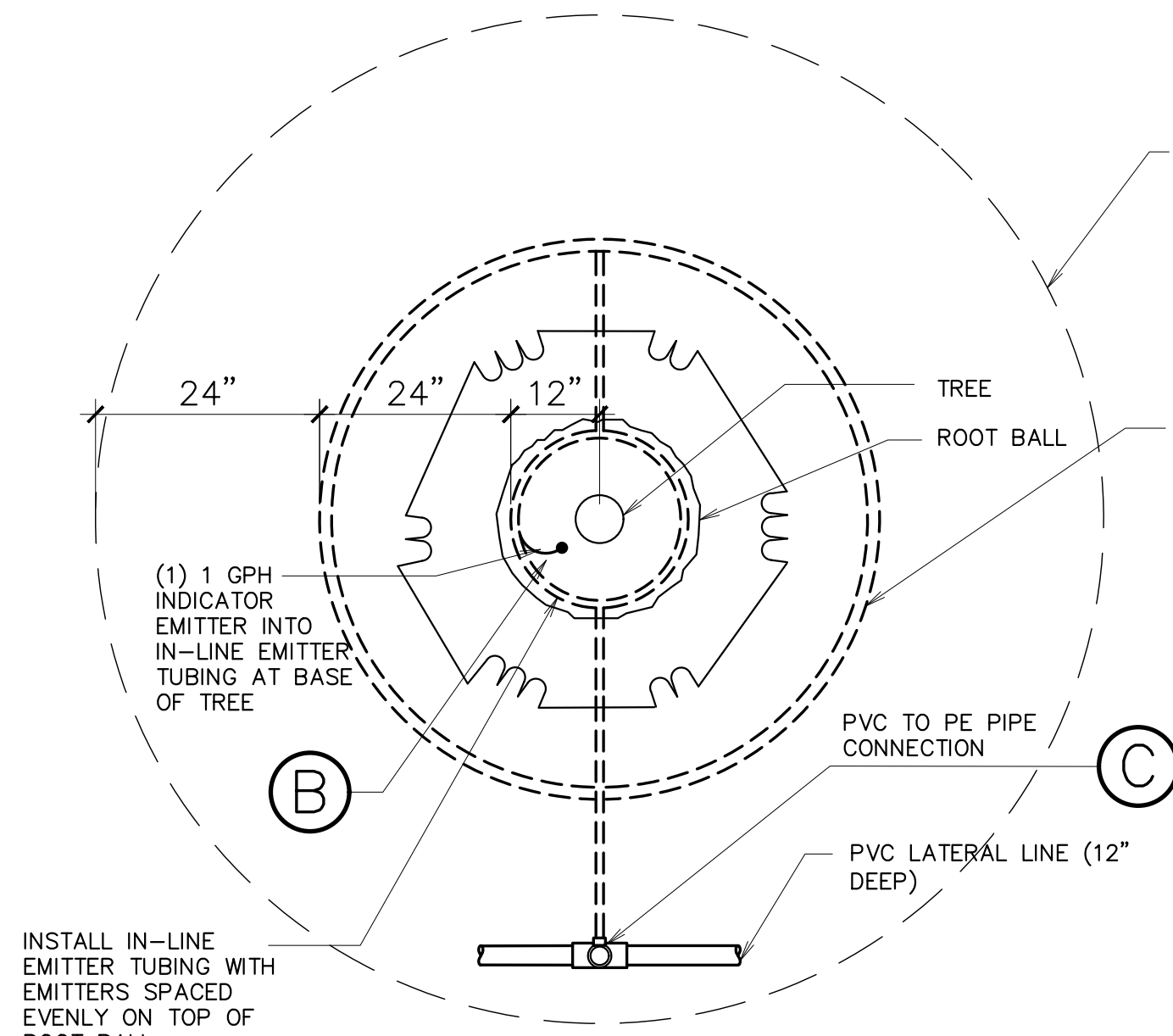
Property Number:

Sheet Title:
IRRIGATION CONTROL DETAILS

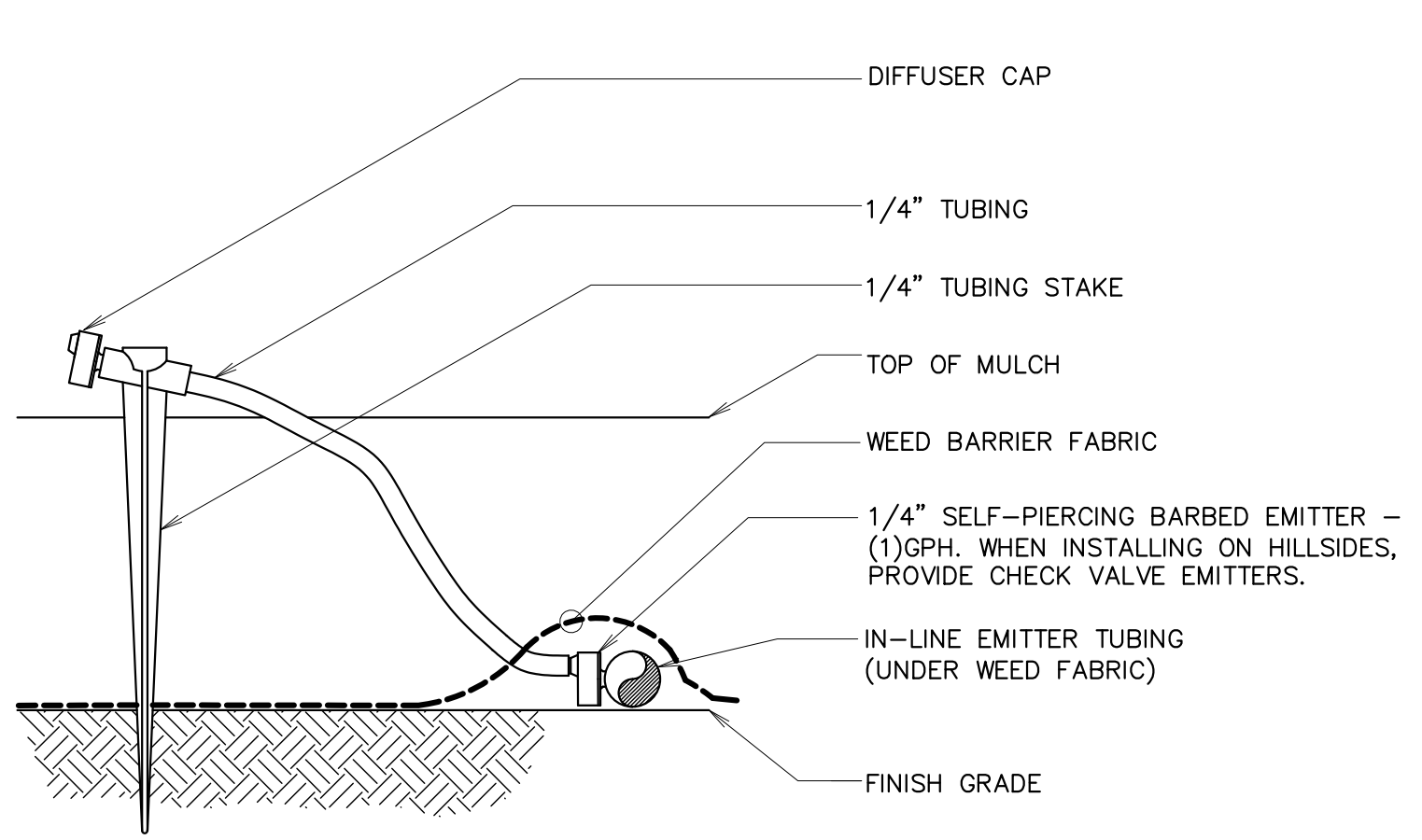
Sheet:

L503

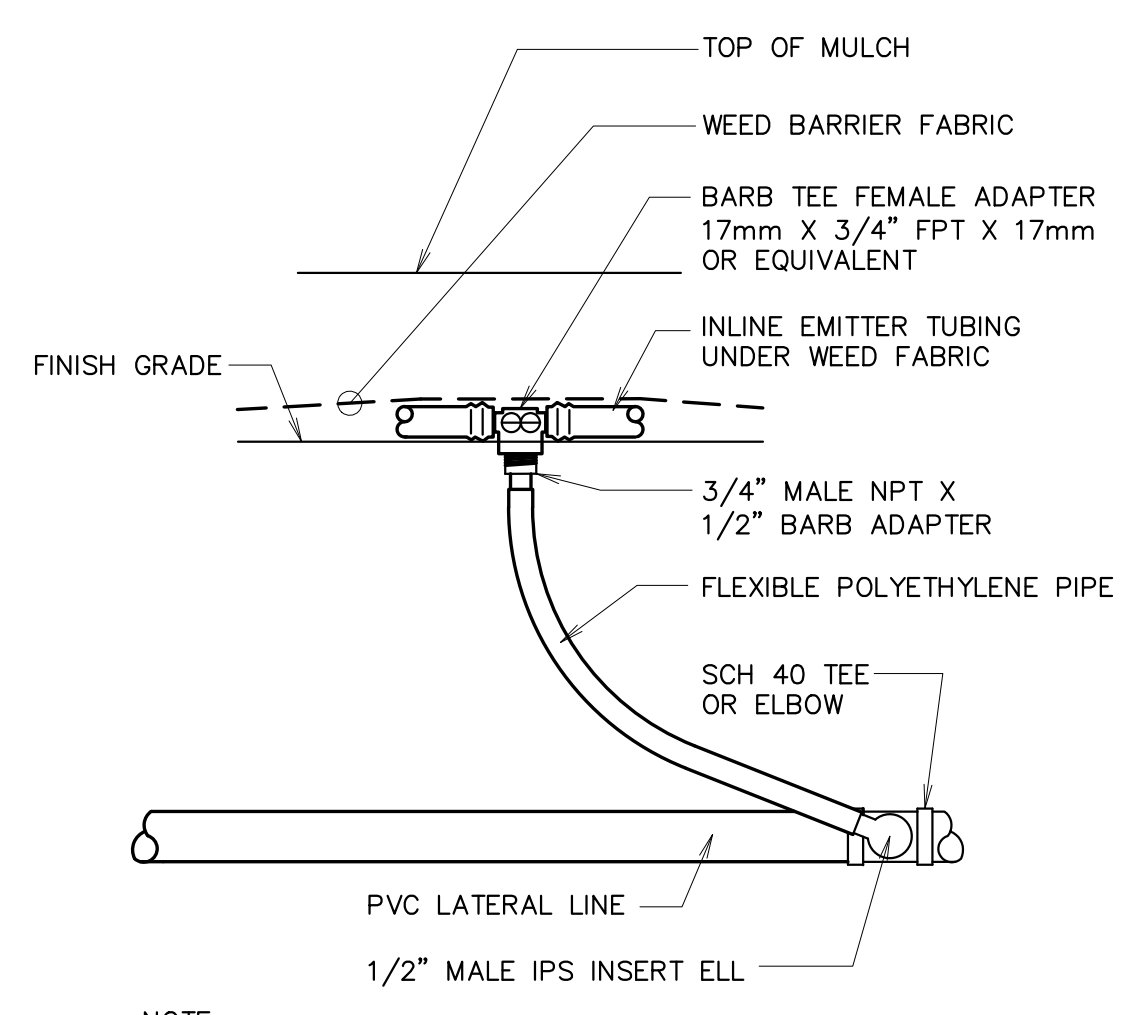
Mark Date (date) Description



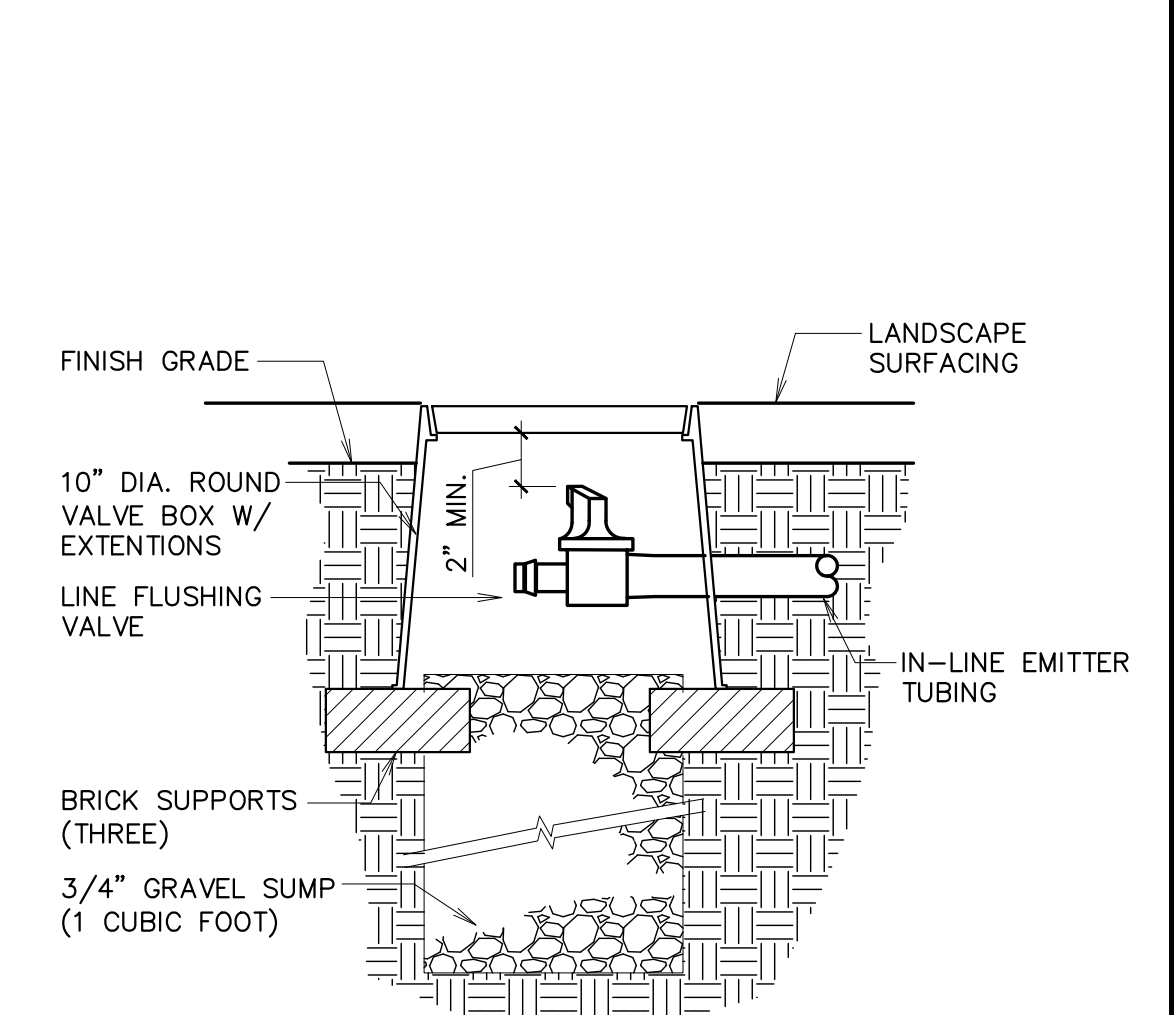
A TREE DRIP-PLAN VIEW (Planter Areas)
NO SCALE
NOTE: FITTINGS TO INLINE DRIP TUBING TO BE INSERT FITTINGS. USE OETICKER CLAMPS FOR NON-NETAFIM FITTINGS.



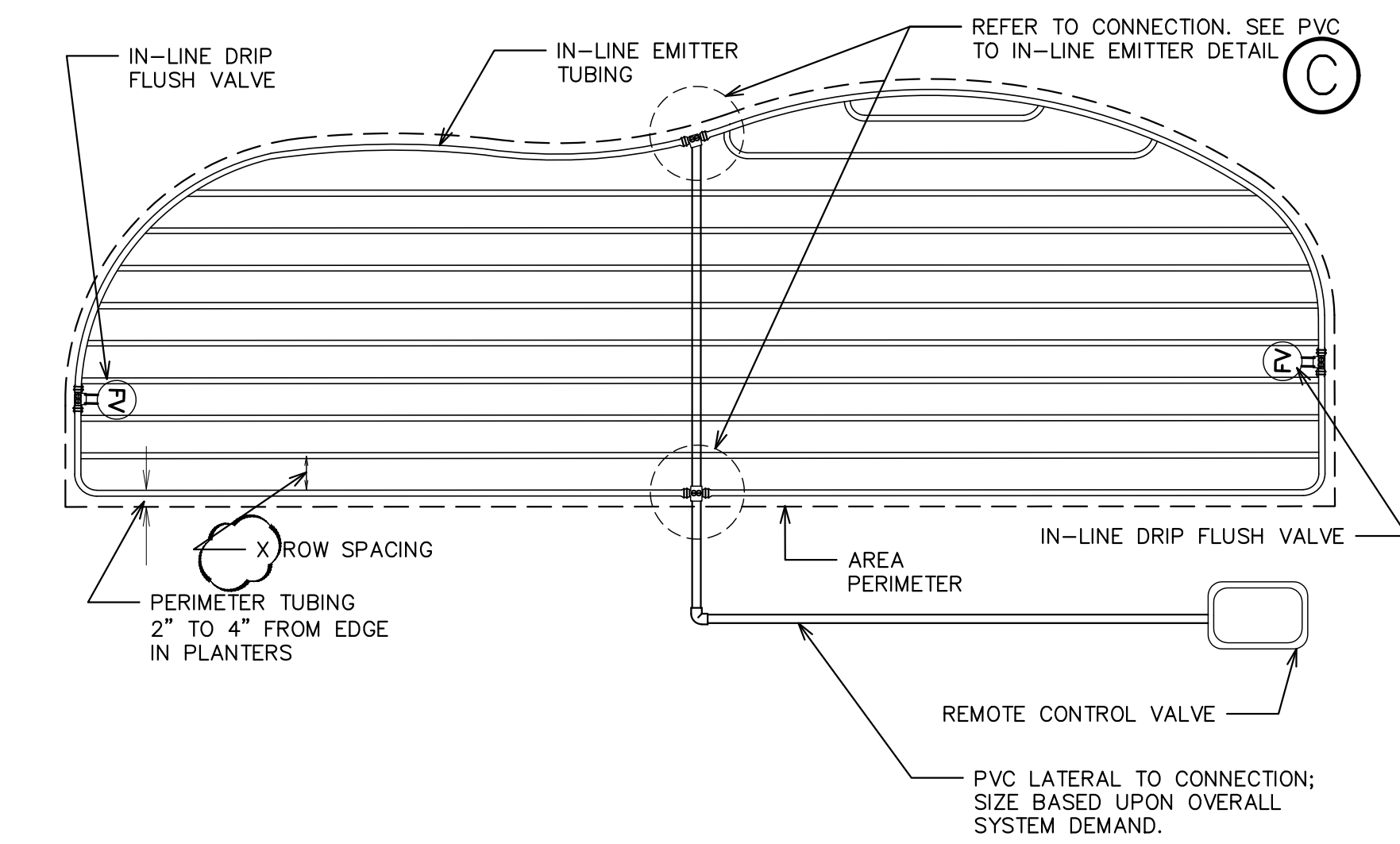
B INDICATOR EMITTER
NO SCALE



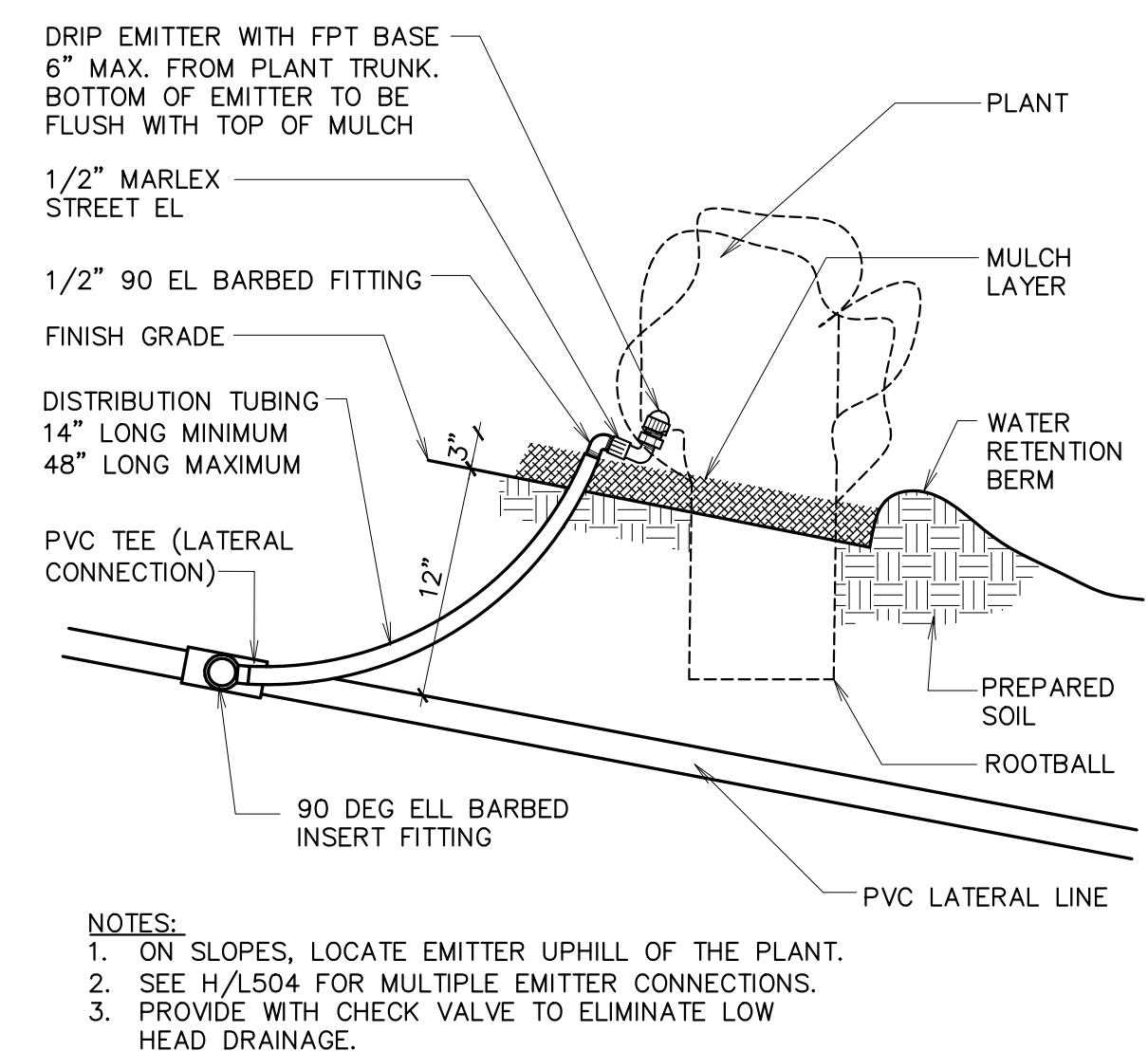
C PVC TO IN-LINE EMITTER
NO SCALE



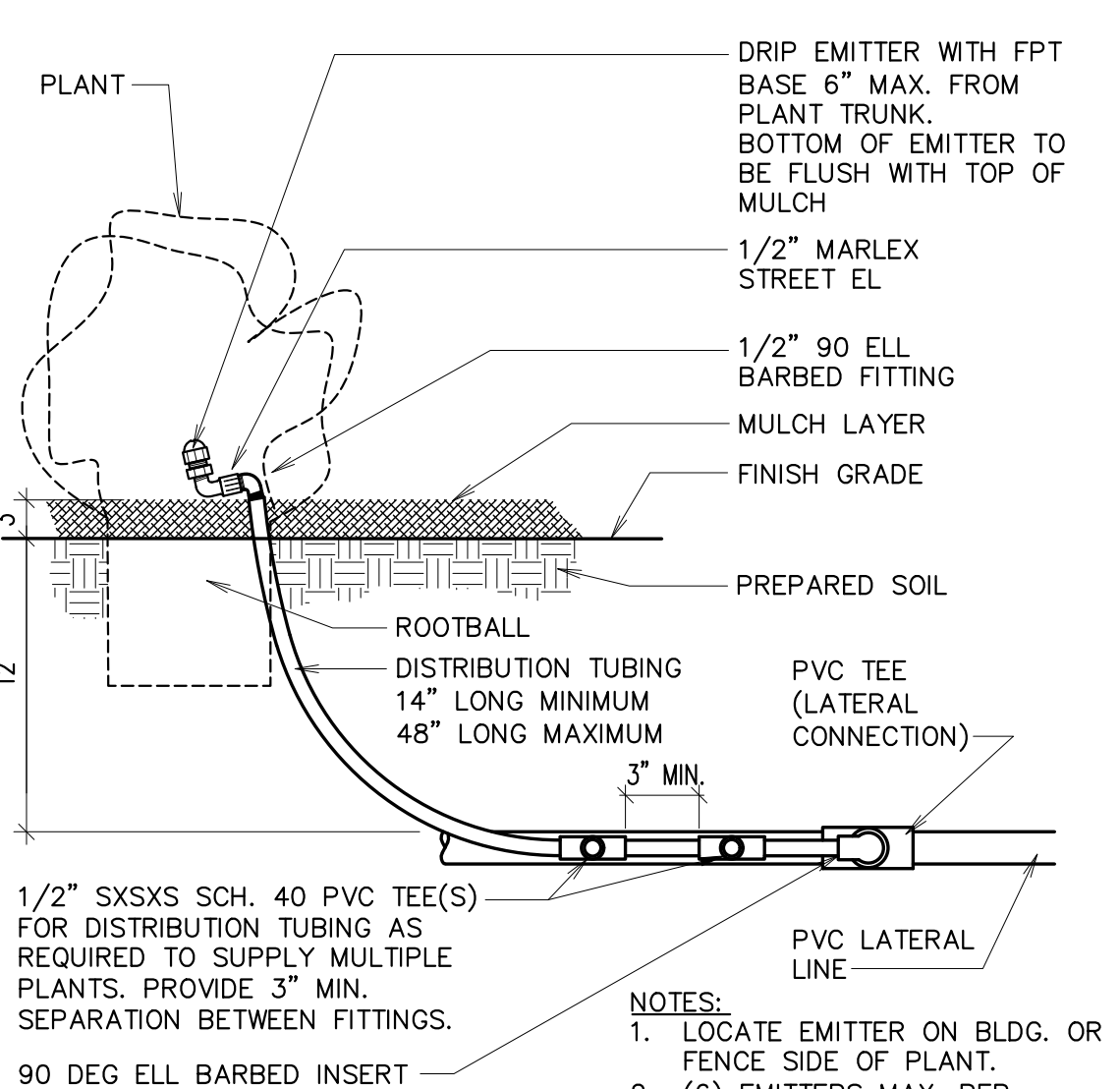
D IN-LINE DRIP FLUSH VALVE
NO SCALE



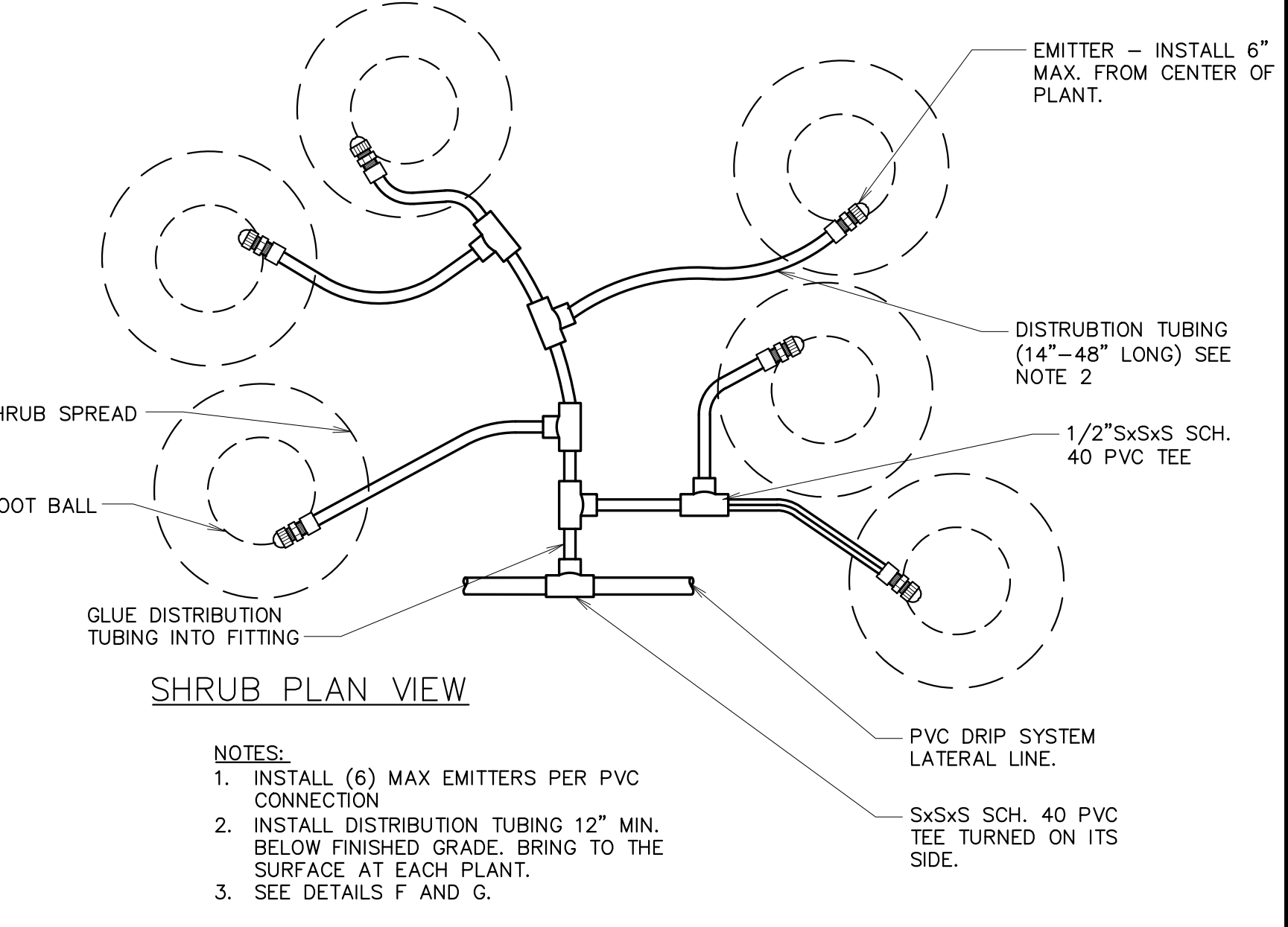
E IN-LINE LAYOUT PLANTER
NO SCALE
NOTE: FITTINGS TO INLINE DRIP TUBING TO BE INSERT FITTINGS. USE OETICKER CLAMPS FOR NON-NETAFIM FITTINGS.



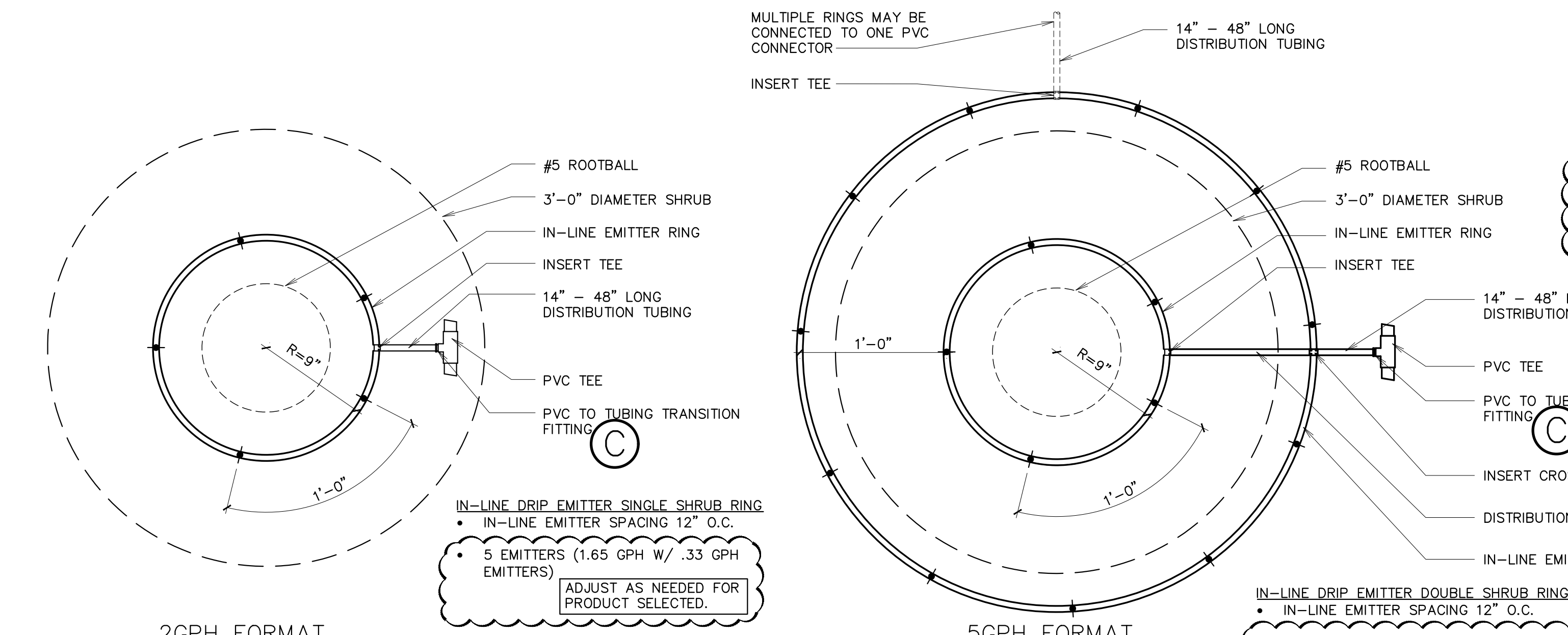
F DRIP EMITTER
NO SCALE



G DRIP EMITTER
1 1/2\"/>



H TYPICAL DRIP EMITTER PLAN
1 1/2\"/>



J IN-LINE DRIP RING
NO SCALE

NOTE: THIS IS AN ALTERNATE DRIP APPROACH ONLY AVAILABLE AS A PILOT INSTALLATION. PRIOR TO SELECTING, COORDINATE WITH AEC ON APPROPRIATENESS. (801)240-9478

1. SELECT DETAILS APPROPRIATE FOR ECO-REGION AND SITE. SEE AEC DESIGN GUIDELINES FOR ECO-REGION DESCRIPTIONS AND DEVELOPMENT. <https://share.ldschurch.org/sites/mfd/AEC/US%20Design%20Guidelines/Landscape%20Index.aspx>
DELETE DETAILS NOT USED.

AEC Standard Landscape Details	
Details Downloaded	(Date)
Details Edited	(Date)

Project Name

Project Address

Project for:
THE CHURCH OF JESUS CHRIST OF LATTER-DAY SAINTS

Project Number: ***	Plan Series: *****
Property Number: ***	

Project Number:

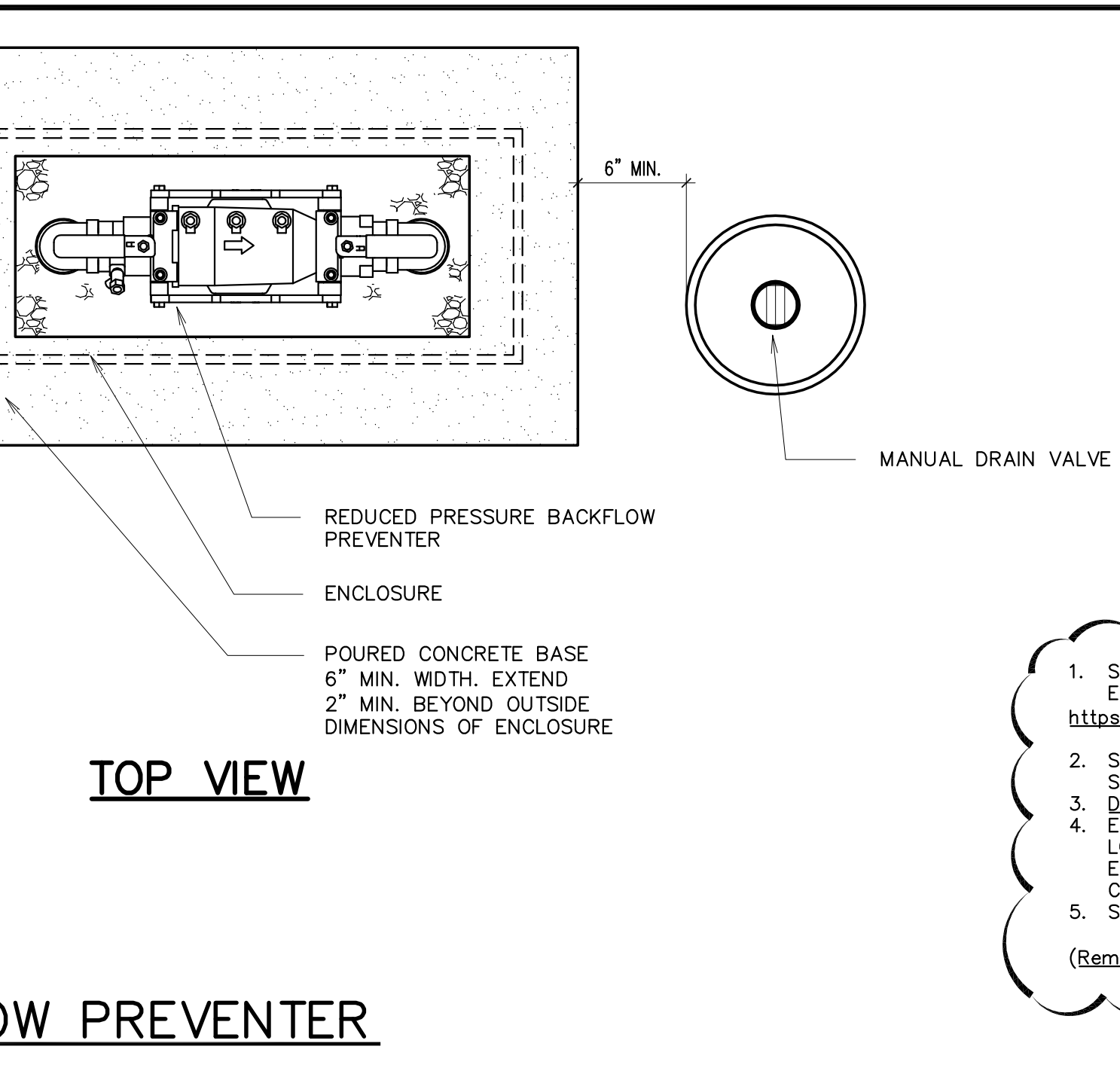
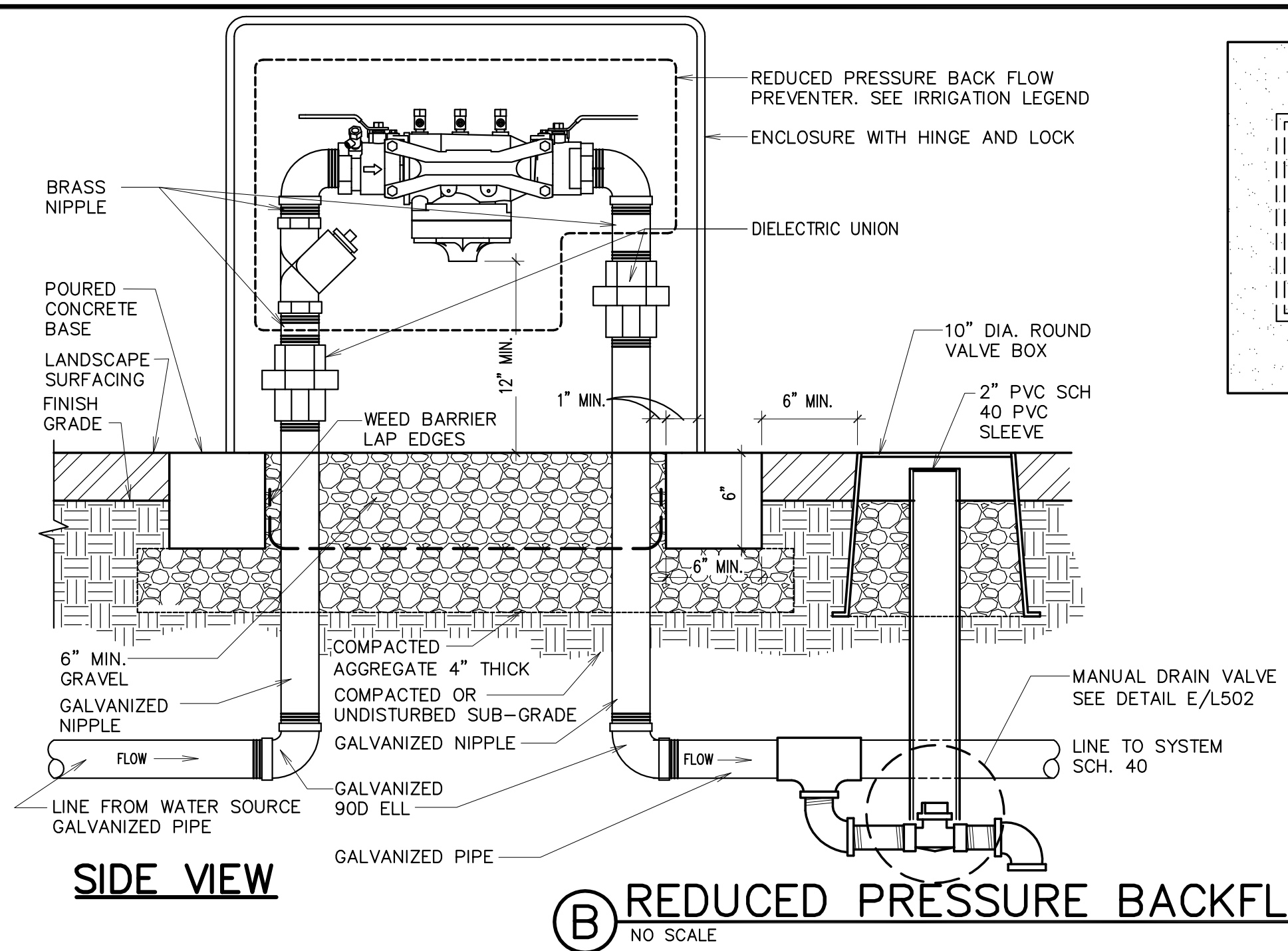
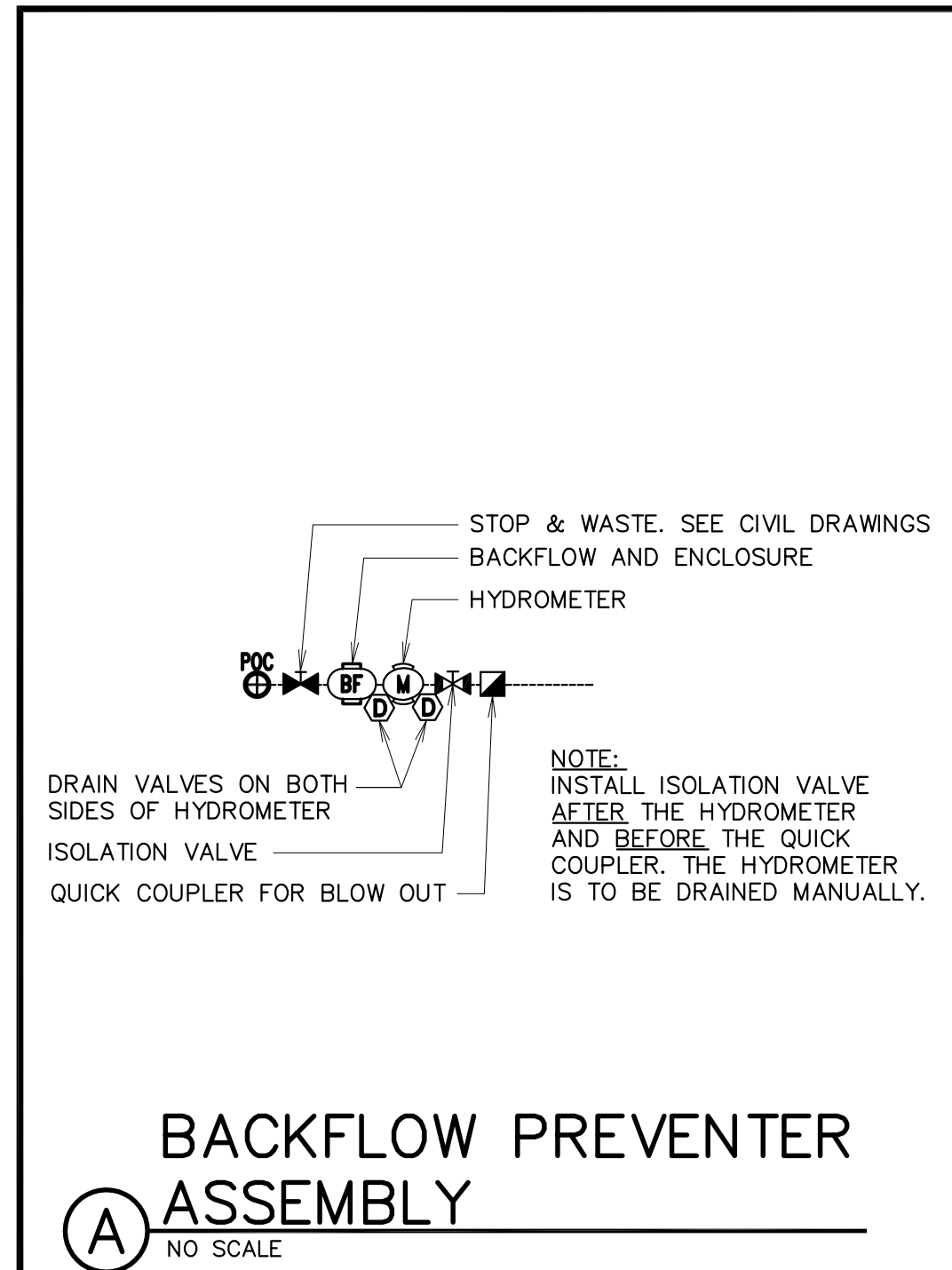
Plan Series:

Property Number:

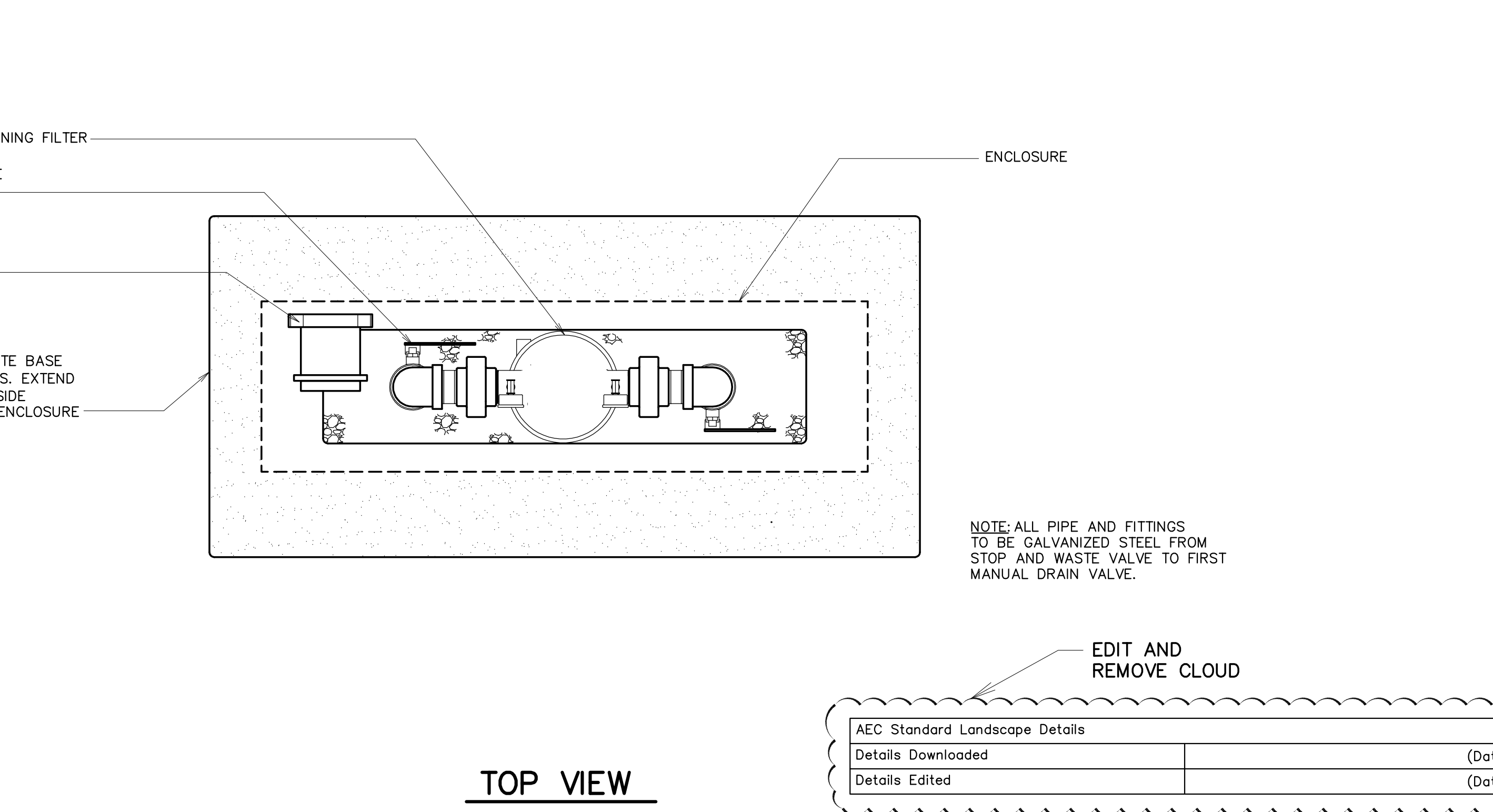
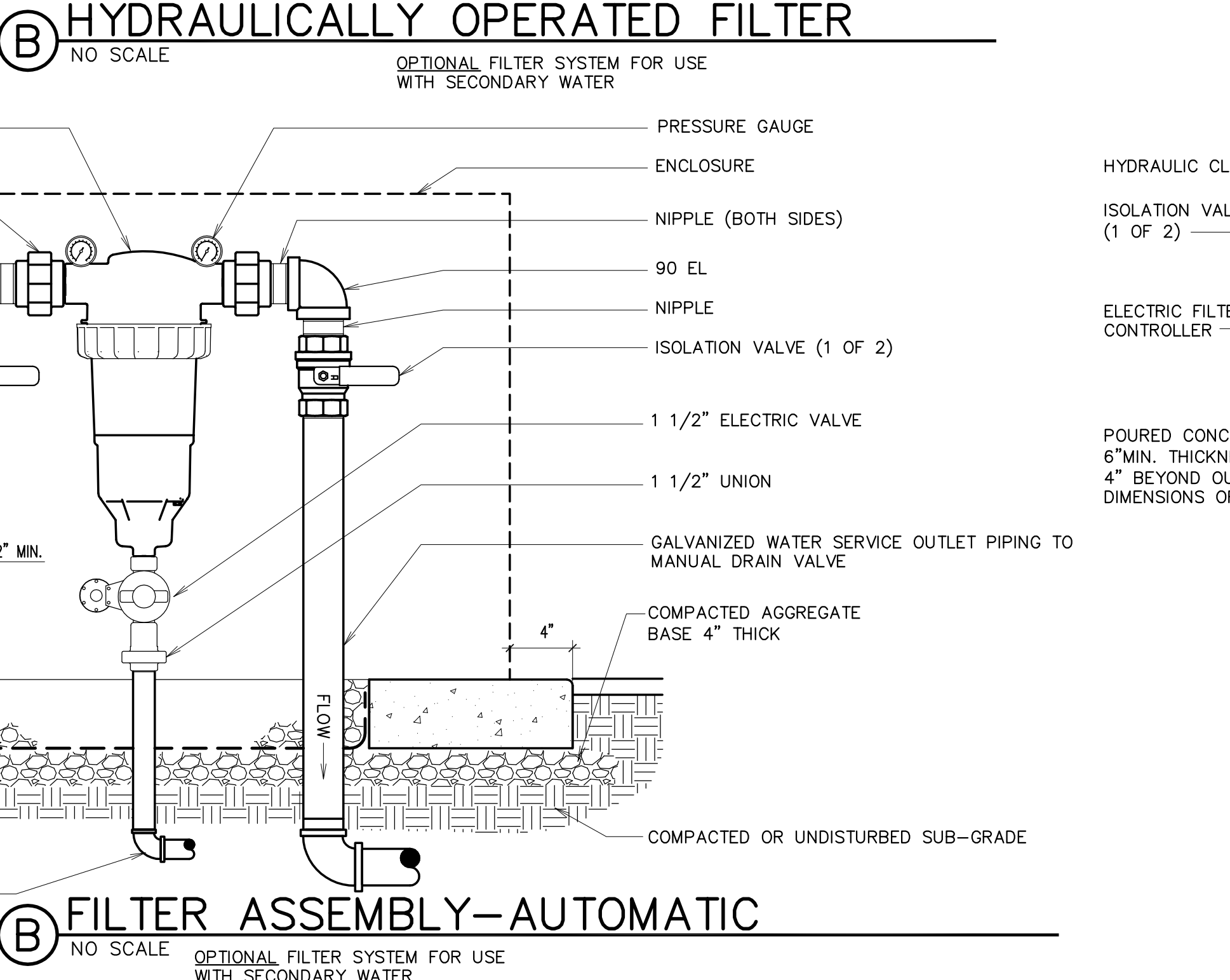
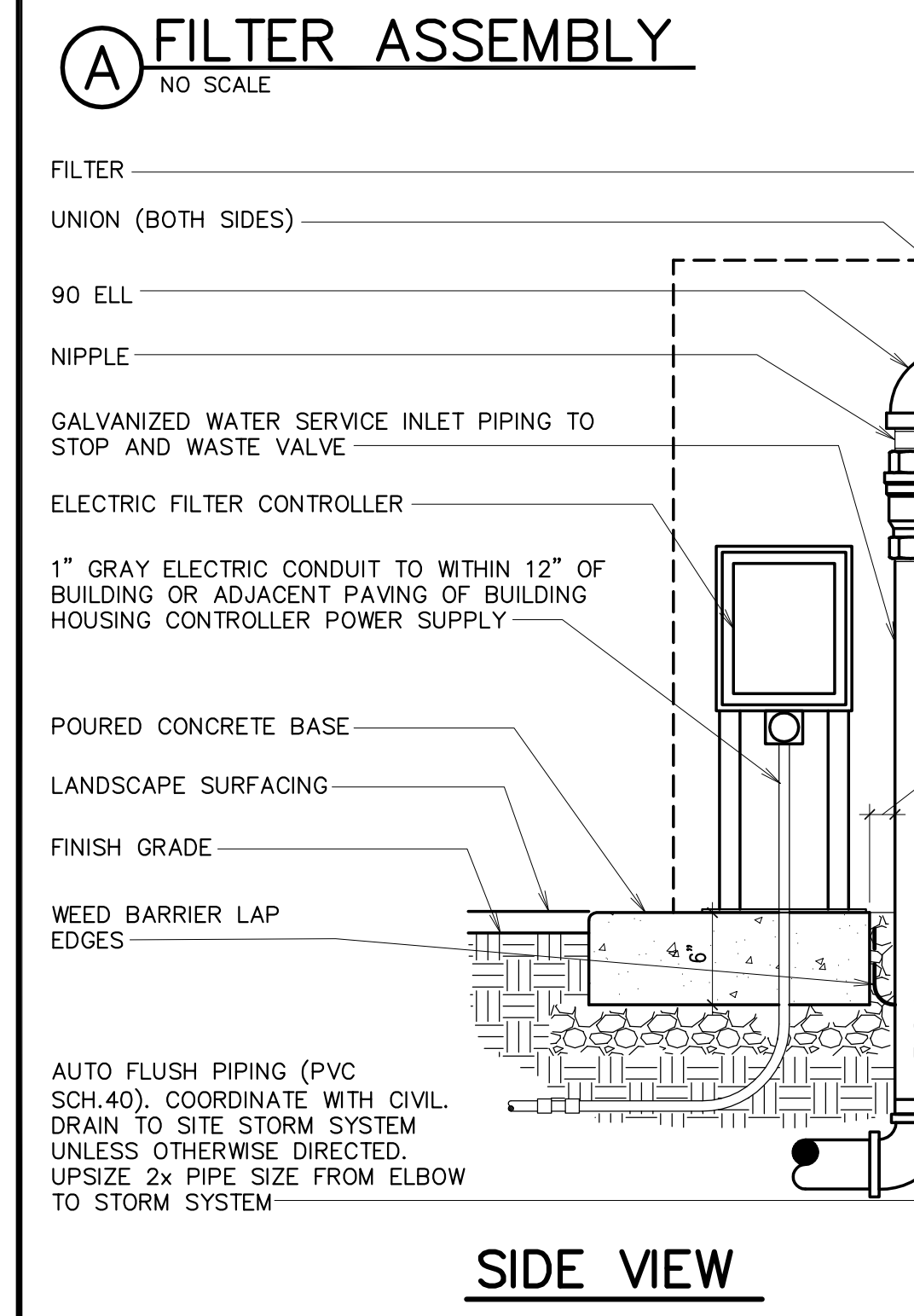
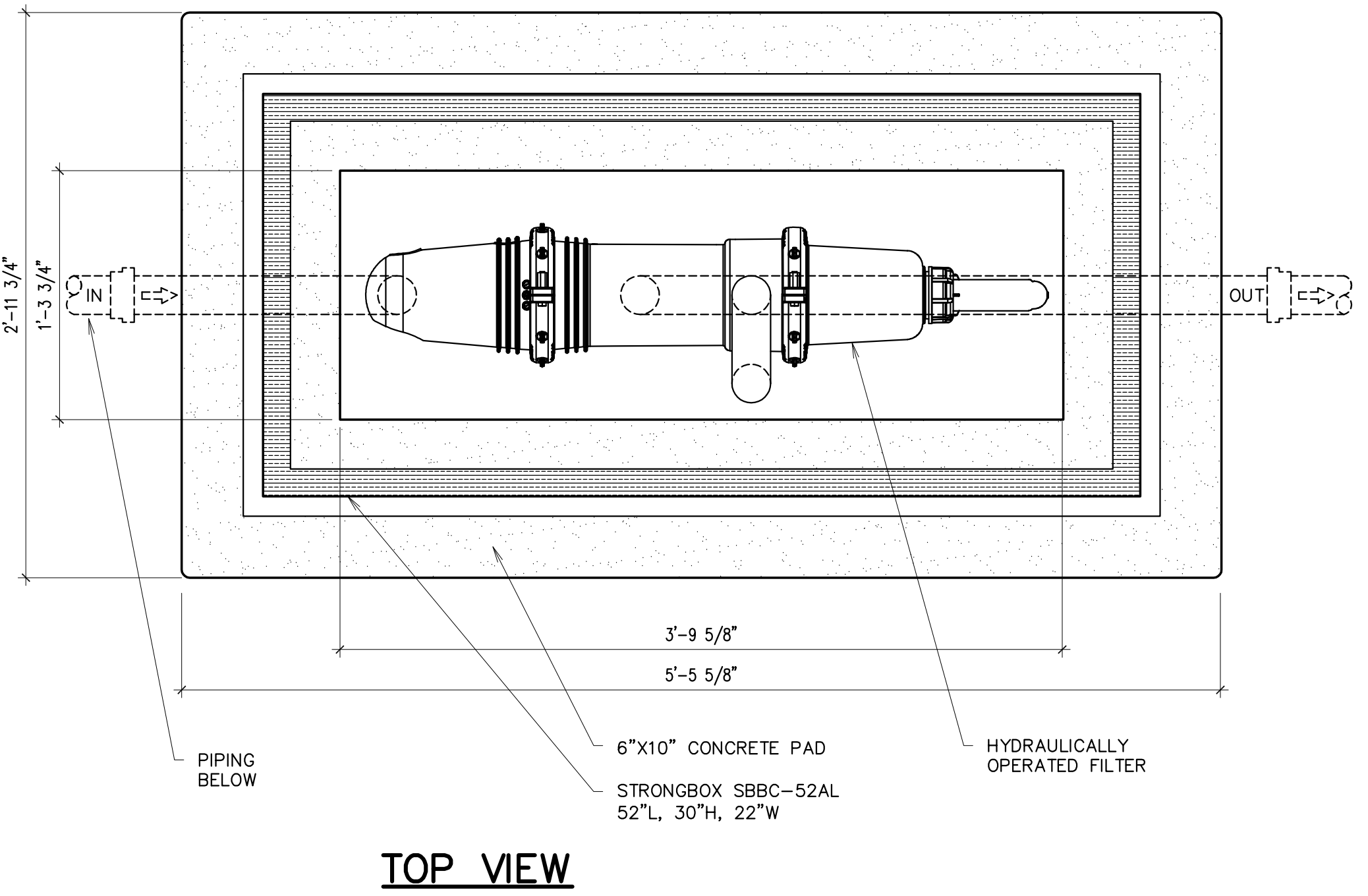
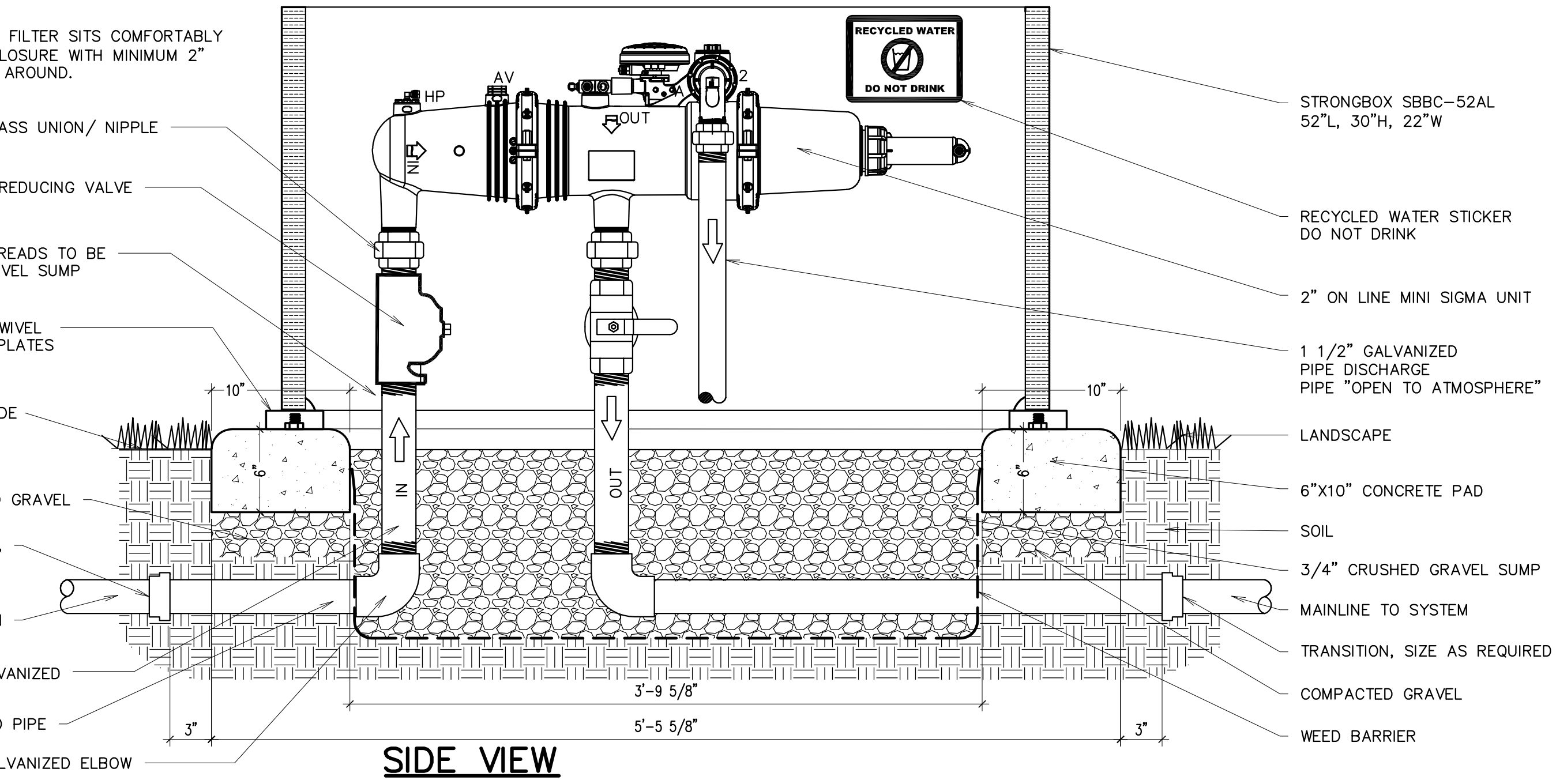
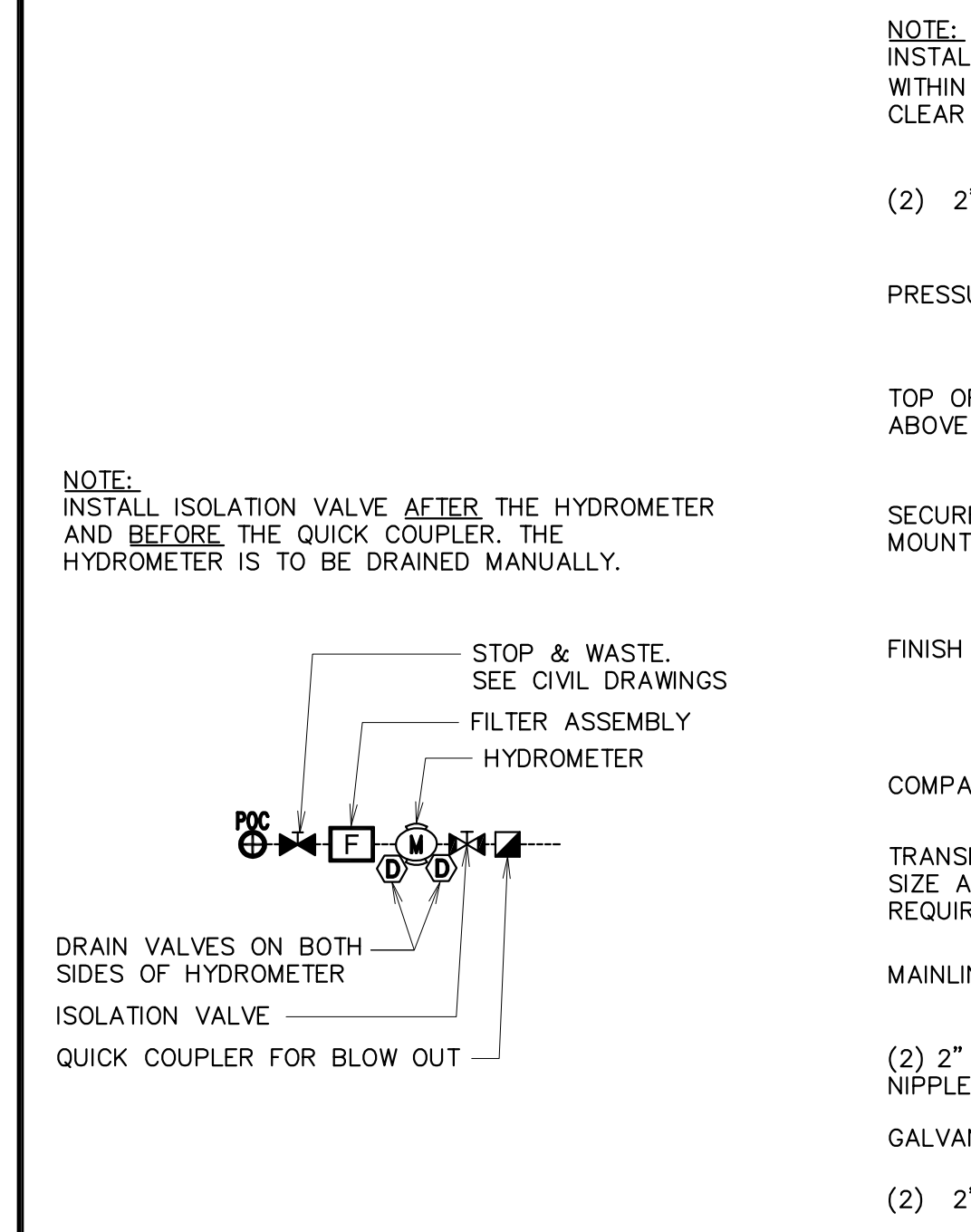
Sheet Title:
IRRIGATION DRIP EMISSION DETAILS

Sheet:
L504

EDIT AND REMOVE CLOUD

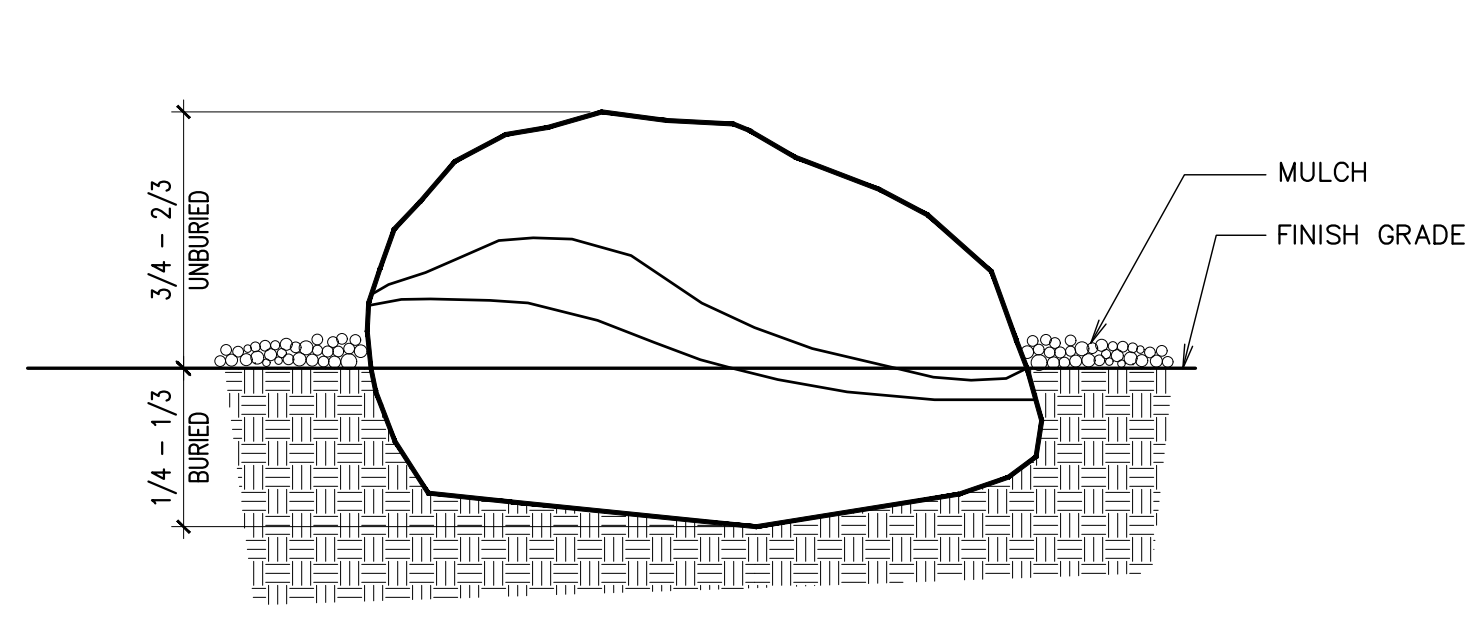


1. SELECT DETAILS APPROPRIATE FOR ECO-REGION AND SITE. SEE AEC DESIGN GUIDELINES FOR ECO-REGION DESCRIPTIONS AND DEVELOPMENT. <https://share.lidschurch.org/sites/mfd/AEC/US%20Design%20Guidelines/Landscape%20Index.aspx>
 2. SELECT POC SCHEME AND FILTER OPTION APPROPRIATE TO LOCAL CODES AND RESTRICTIONS. SKID OPTION IS FOUND IN MODEL SPACE.
 3. DELETE DETAILS NOT USED.
 4. ENCLOSURE MODELS TO BE FABRICATED OF ALUMINUM UNLESS OTHERWISE REQUIRED BY LOCAL CONDITIONS. LA TO SELECT ENCLOSURE THAT WILL SECURE THE DEVICE AND ALLOW EASE OF ACCESS AND CLEARANCE OF ALL COMPONENTS PER DETAILS. LESS VISIBILITY CONTRIBUTES TO BETTER SECURITY. SEE SPECIFICATION NOTES.
 5. SPECIFY INSULATION IN FREEZE SUSCEPTIBLE AREAS.
- (Remove this note before bidding)

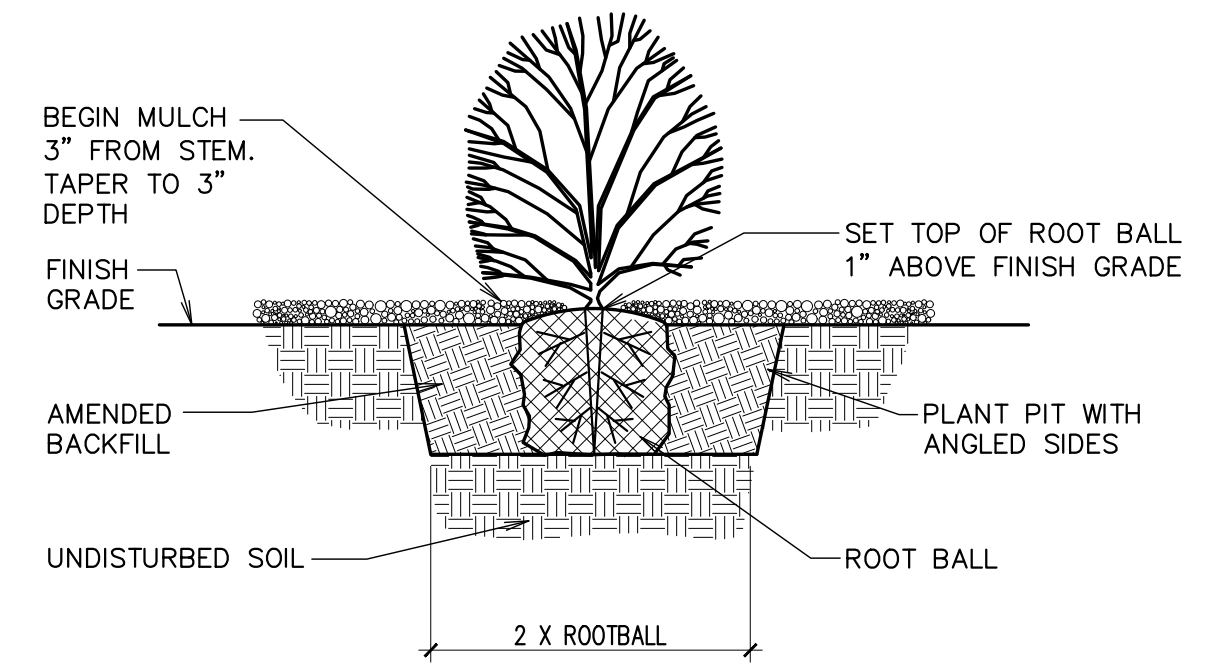


EDIT AND REMOVE CLOUD

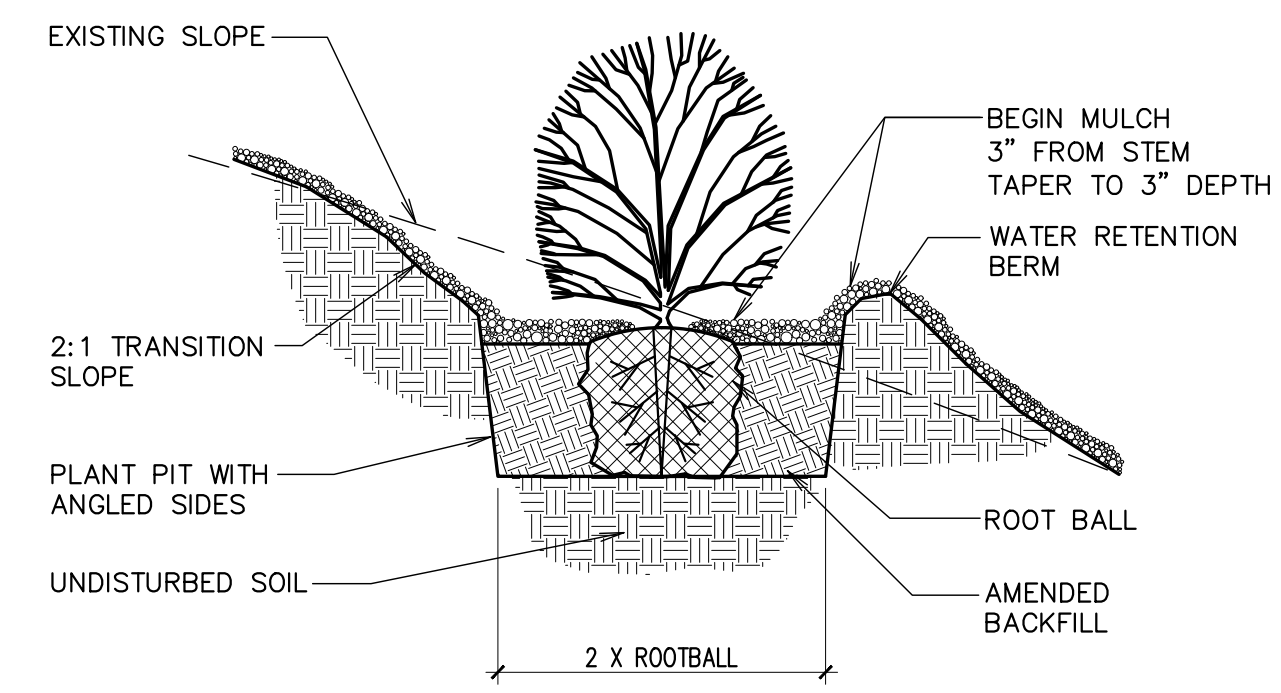
AEC Standard Landscape Details	(Date)
Details Downloaded	(Date)
Details Edited	(Date)



A BOULDER PLACEMENT DETAIL
NOT TO SCALE

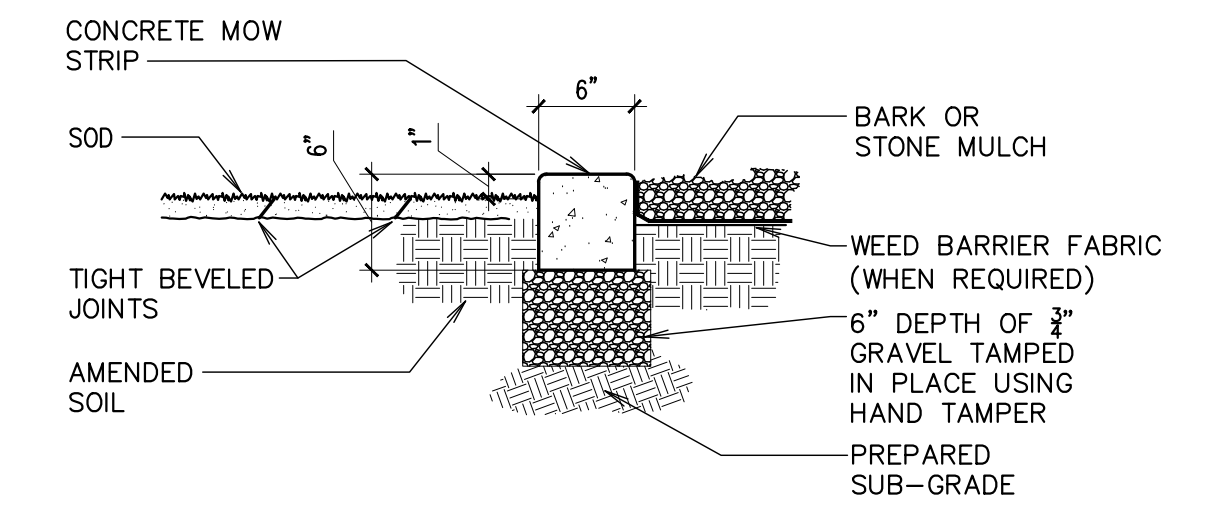


B SHRUB PLANTING DETAIL
NOT TO SCALE

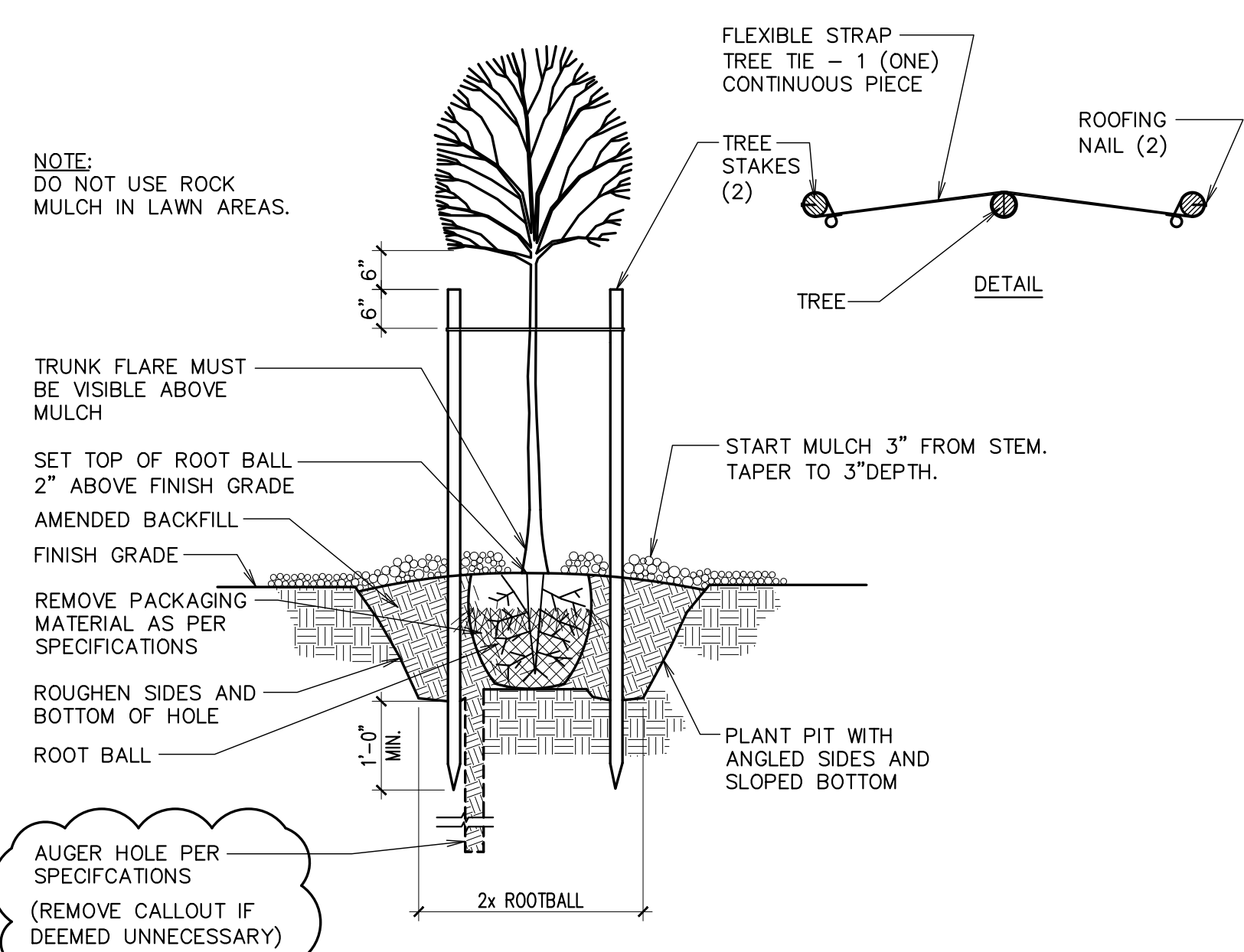


C SLOPE PLANTING
NOT TO SCALE

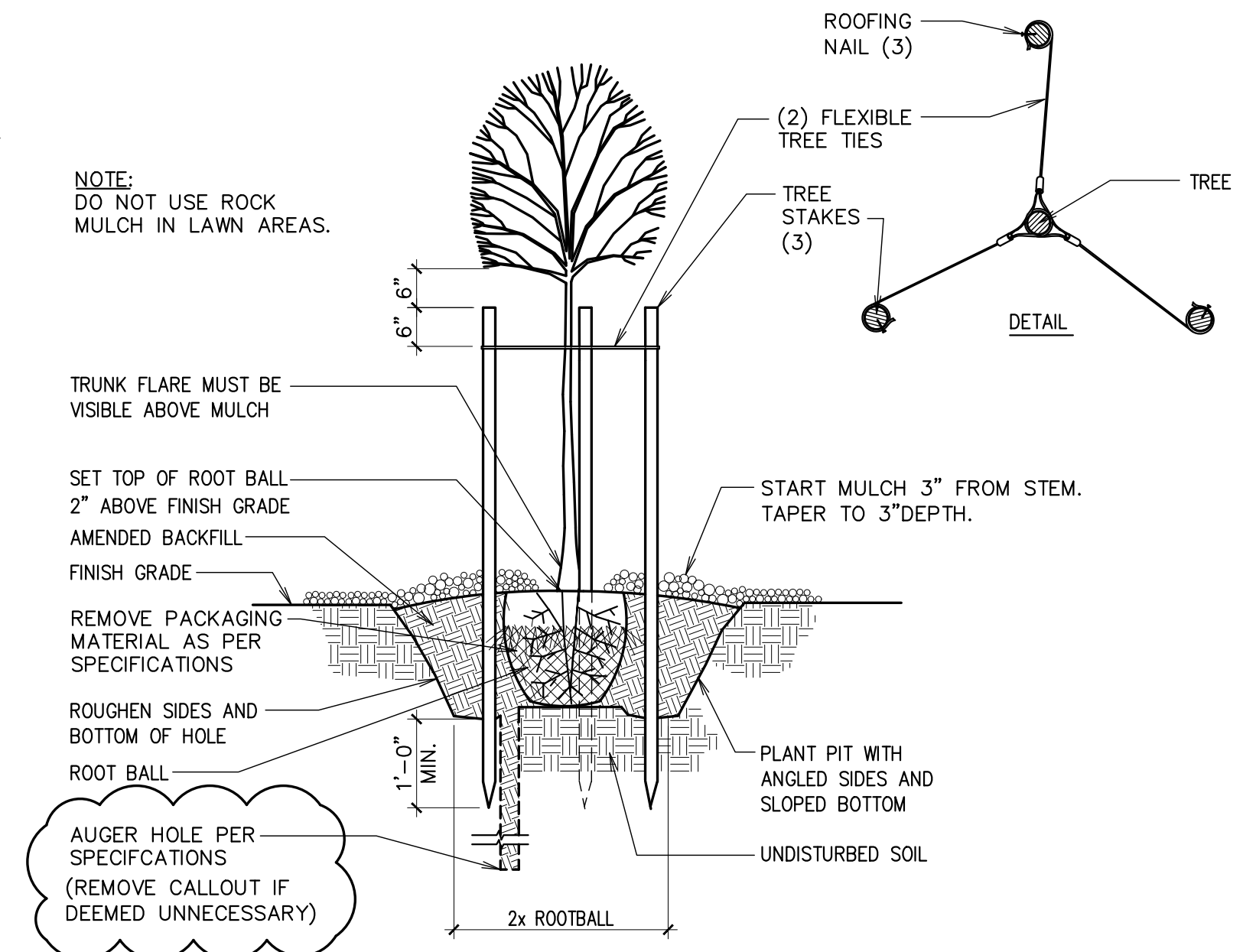
- NOTES:**
1. MOW STRIP TO BE 4,500 PSI CONCRETE WITH 6% AIR ± 1 1/2.
 2. INSTALL EXPANSION AND CONTROL JOINTS AS PER SPECIFICATIONS.
 3. PROVIDE POSITIVE DRAINAGE AROUND MOW STRIPS. DO NOT CREATE A DAM EFFECT WITH PLACEMENT OF MOW STRIP.
 4. MAXIMUM 1/2" WIDTH VARIATION.
 5. FOLLOW LAYOUT PLAN PRECISELY AS SHOWN ON MOW STRIP/EDGING DIMENSION PLAN.
 6. RAISE THE LAWN GRADE 1" WHEN SEEDING.



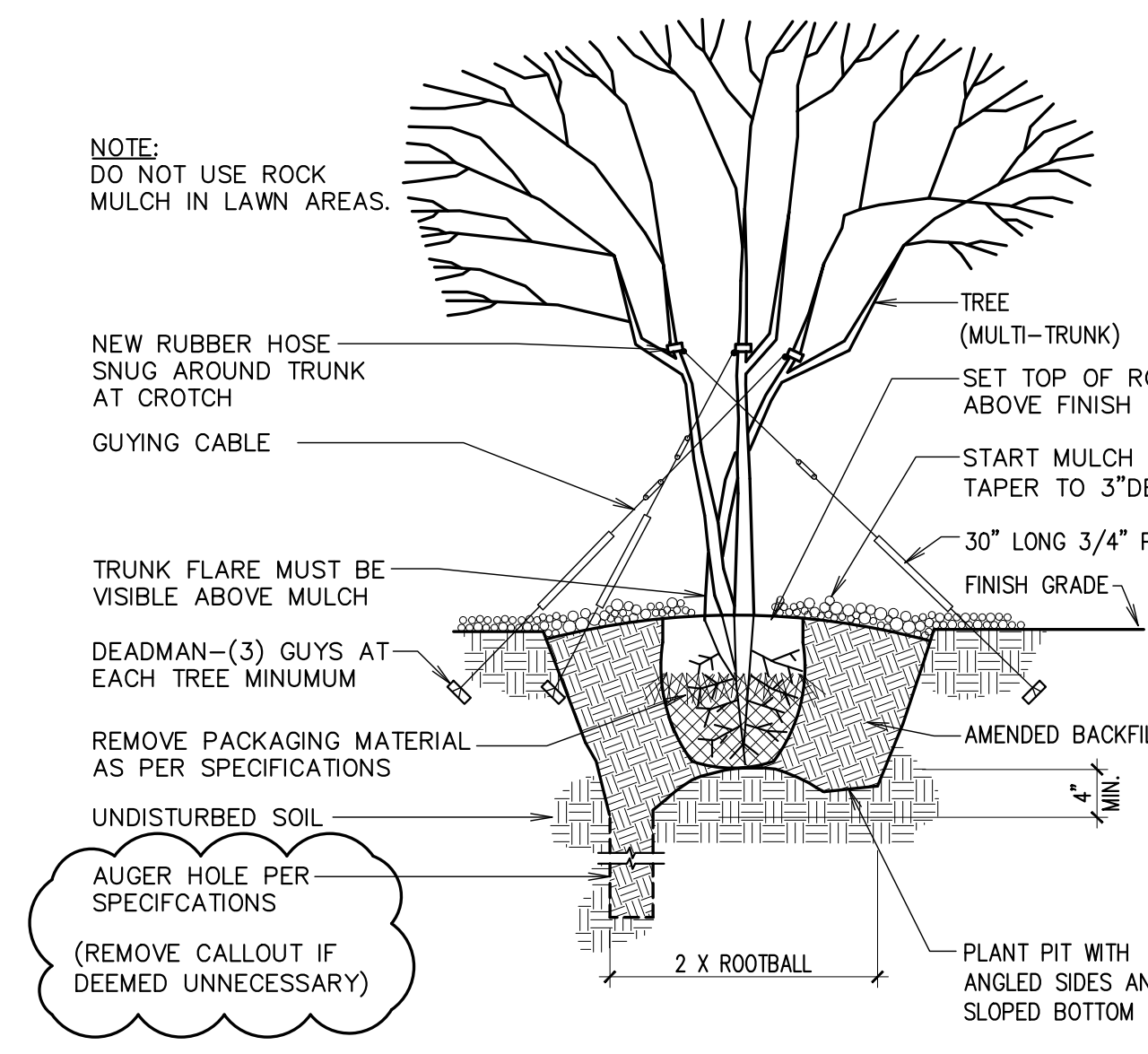
D CONCRETE MOW STRIP
NOT TO SCALE



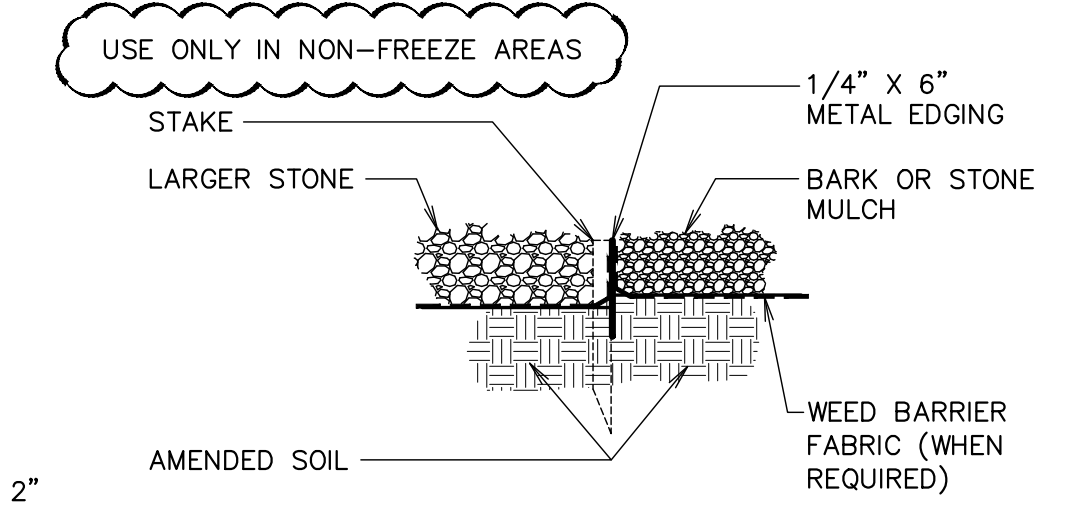
E TREE PLANTING AND STAKING
NOT TO SCALE



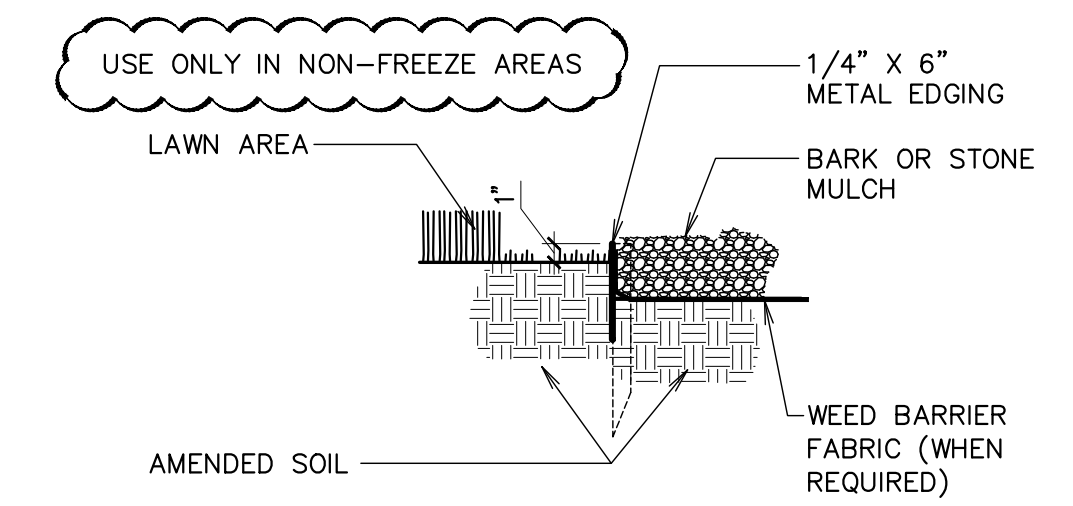
F TREE PLANTING AND STAKING (FOR WINDY AREAS ONLY)
NOT TO SCALE



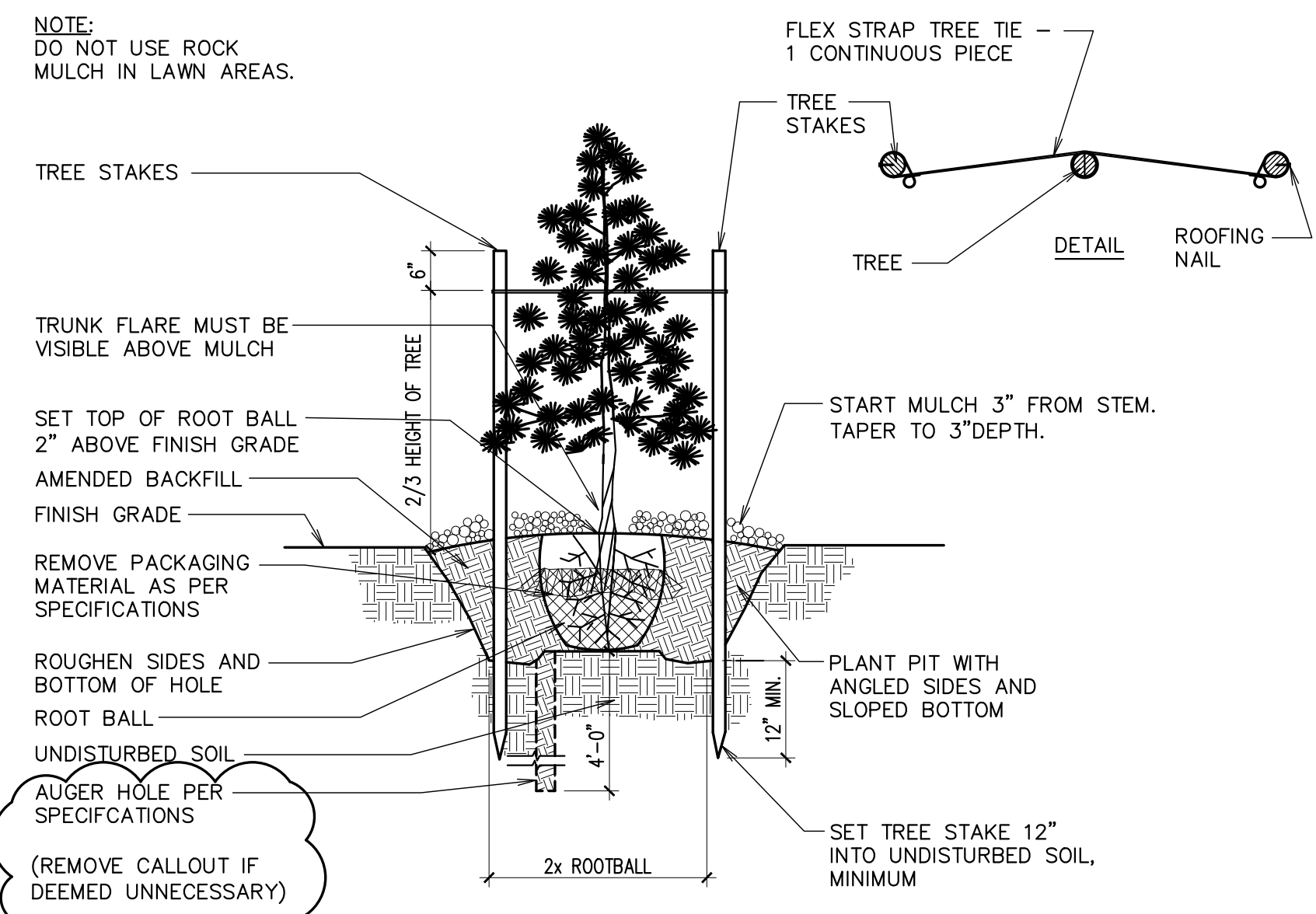
G TREE GUYING (MULTI-TRUNK TREE)
NOT TO SCALE



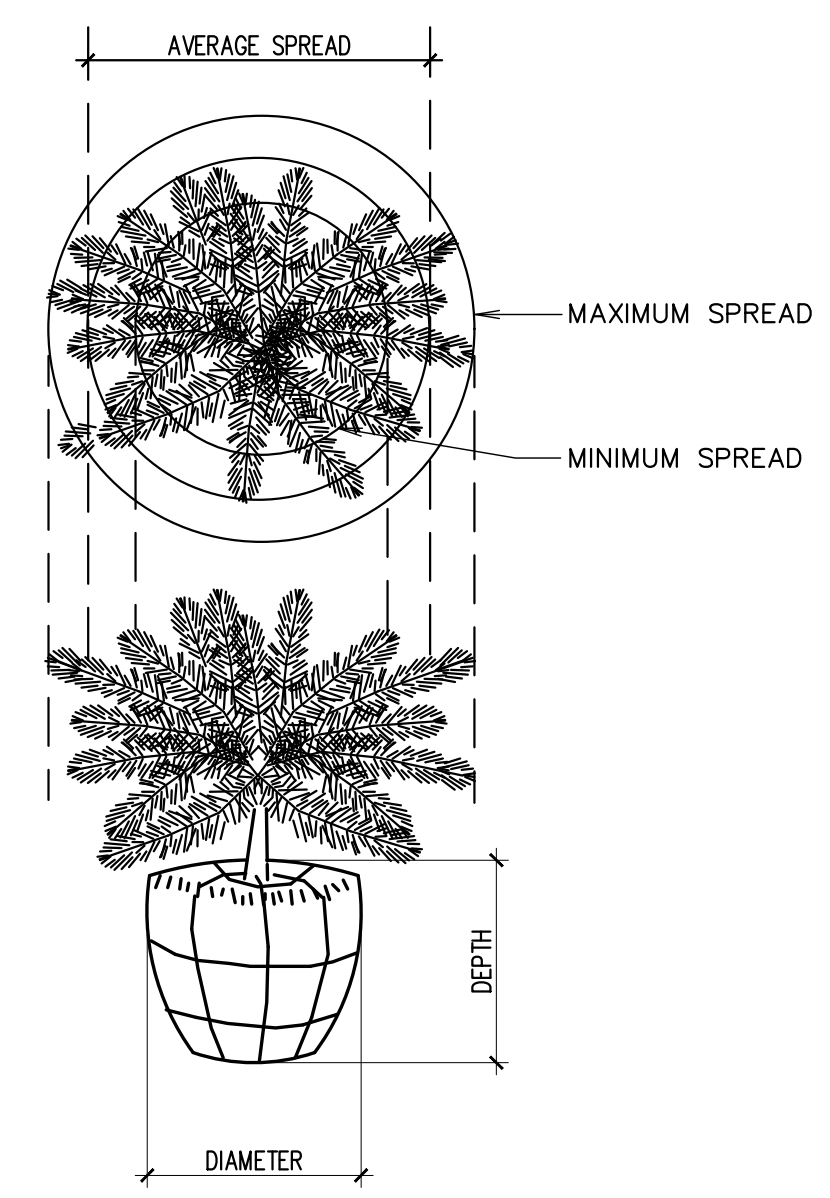
H METAL EDGE DETAIL
NOT TO SCALE



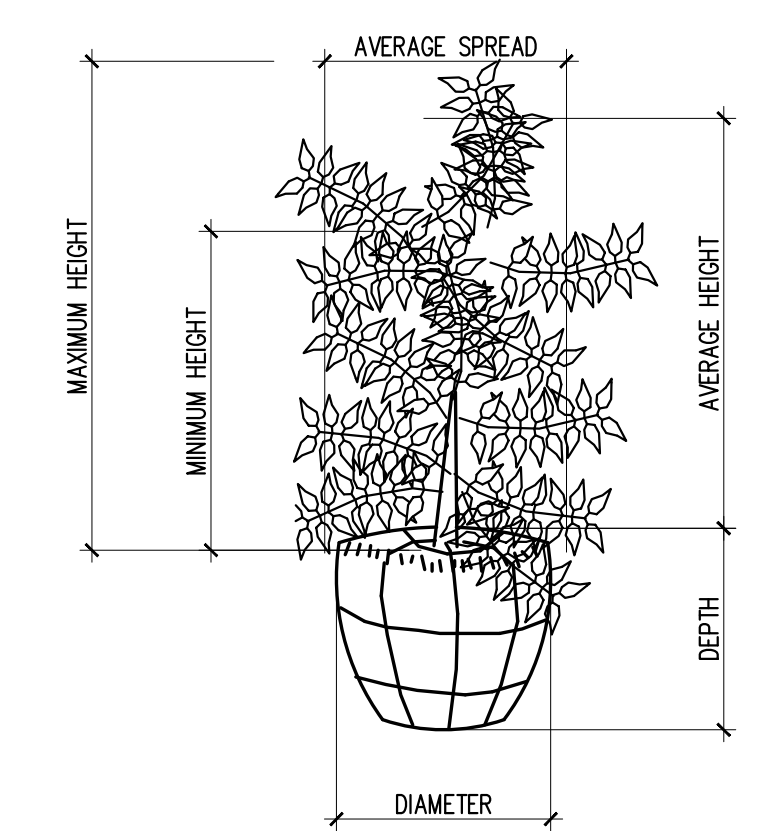
J METAL EDGE AT LAWN
NOT TO SCALE



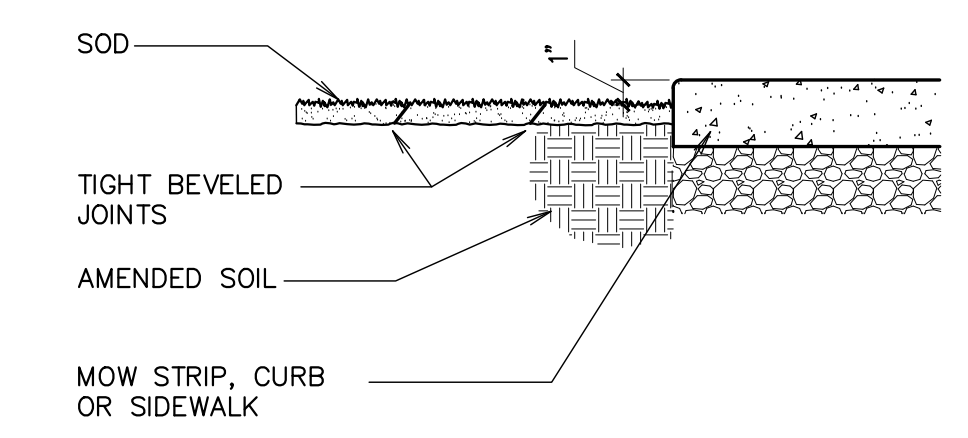
K CONIFER PLANTING AND STAKING
NO SCALE



L TYPICAL MEASUREMENT FOR PROSTRATE TYPE PLANTS
NOT TO SCALE



M TYPICAL MEASUREMENT FOR BROAD UPRIGHT TYPE
NOT TO SCALE



N SOD INSTALLATION
NOT TO SCALE

1. SELECT DETAILS APPROPRIATE FOR ECO-REGION AND SITE. SEE AEC DESIGN GUIDELINES FOR ECO-REGION DESCRIPTIONS AND DEVELOPMENT.
<https://share.ldschurch.org/sites/mfd/AEC/US%20Design%20Guidelines/Landscape%20Index.aspx>
 2. IF PALMS ARE USED, INSERT DETAIL PROVIDED IN MODEL SPACE.
 3. FOR AREAS SUCH AS SOUTHERN NEVADA AND SOUTHERN ARIZONA WHERE A 2" DECOMPOSED GRANITE IS COMMON REVISE MULCH AND PLANTING DEPTHS ON THIS PLAN TO MATCH.
- (Remove this note before bidding)

Stamp:

Project Name

Project Address

Project for:

THE CHURCH OF JESUS CHRIST OF LATTER-DAY SAINTS

Mark Date (xxx) Description

Project Number: ***
Plan Series: *****
Property Number: ***

Sheet Title: GENERAL PLANTING DETAILS

Sheet:

L506

EDIT AND REMOVE CLOUD

AEC Standard Landscape Details	
Details Downloaded	(Date)
Details Edited	(Date)